



Model: WS SB FOR 8" TOUCH SCREEN

Model No.: 028-1-974

Family: WALL-SMART

DWG NO. 028-4-974-SPC

PRODUCT SPEC.

REVISION B

DATE 19/Feb./2026



Make Your Wall Smart

“WS SB FOR 8” TOUCH SCREEN” - Product description:

The “WS SB FOR 8” TOUCH SCREEN” is an adapter for in-wall flush installation of a 8” touch screen in solid board walls.

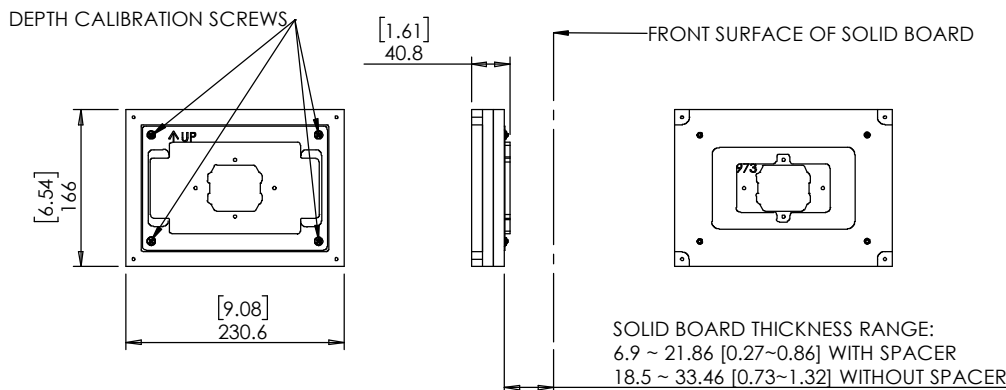
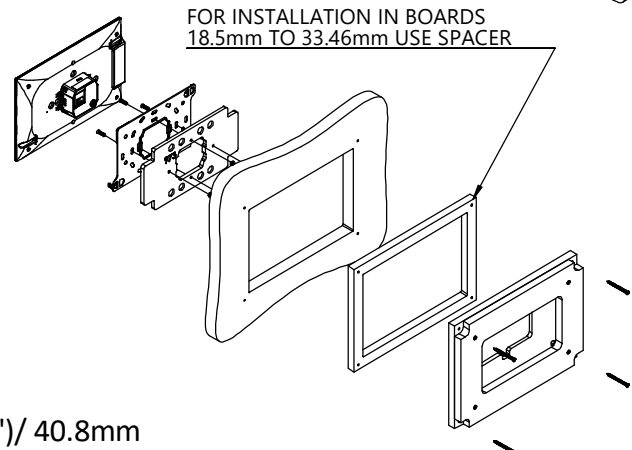
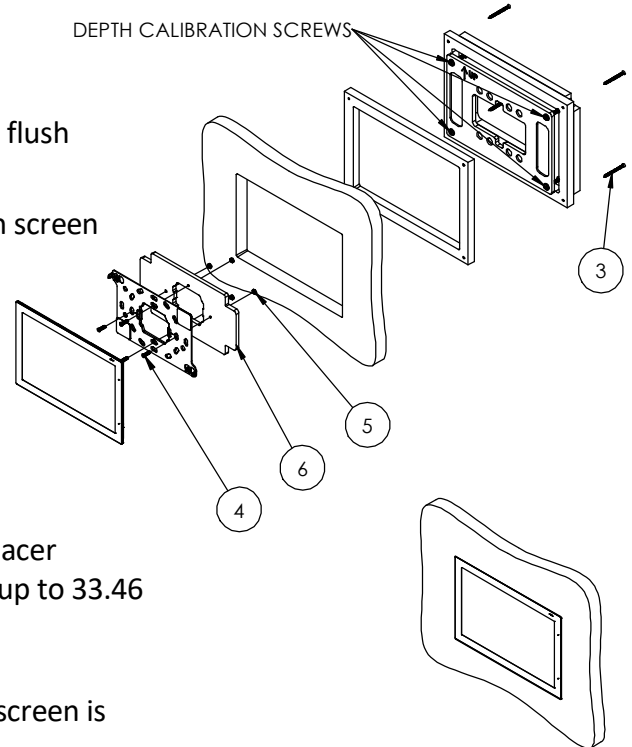
The “WS SB FOR 8” TOUCH SCREEN” firmly mounts the touch screen while allowing easy insertion, removal and operation.

Key features and benefits:

- Flush with the solid surface wall.
- Wall mount may be mounted in any orientation.
- Allows easy insertion and removal of the touch screen.
- Wall mount contains depth calibration mechanism and spacer allowing installation in solid surface boards of 6.9 [0.27”] up to 33.46 [1.32”] thickness.
- See page 2 for routing dimensions.
- Designed for the use with BL/WH 8” touch screen (touch screen is not included).
- Adapter kit contains:
 1. Wall adapter (X1)
 2. Spacer (X1)
 3. ST3x40 screws (X4)
 4. M3x12 (X4)
 5. M3 nuts (X4)
 6. Screen adapter (X1)

Key properties:

- Dimensions: (W/H/D): 230.6mm (9.08”)/ 166mm (6.54”)/ 40.8mm (1.61”).
- Power Supply: None (manual adapter).
- Weight: 0.7Kg, 1.54lbs.
- Material: Moisture resistant MDF (compliant with TSCA Title VI).



CUTOUT ROUTING TEMPLATE
028-4-974

PRINT THIS PAGE 1:1 SCALE

SCALE 1:1

CONTACT WALL-SMART FOR DXF FILE

MARK SCREW LOCATIONS

