



Model: WS NC FOR 8" TOUCH SCREEN

Model No.: 028-1-973

Family: WALL-SMART

DWG NO. 028-4-973-SPC

PRODUCT SPEC.

REVISION A

DATE 28/Jul/2024



Make Your Wall Smart

"WS NC FOR 8" TOUCH SCREEN" - Product description:

The "WS NC FOR 8" TOUCH SCREEN" is an adapter for in-wall flush installation of 8" touch screen.

The "WS NC FOR 8" TOUCH SCREEN" firmly mounts the touch screen while allowing easy access, insertion and operation.

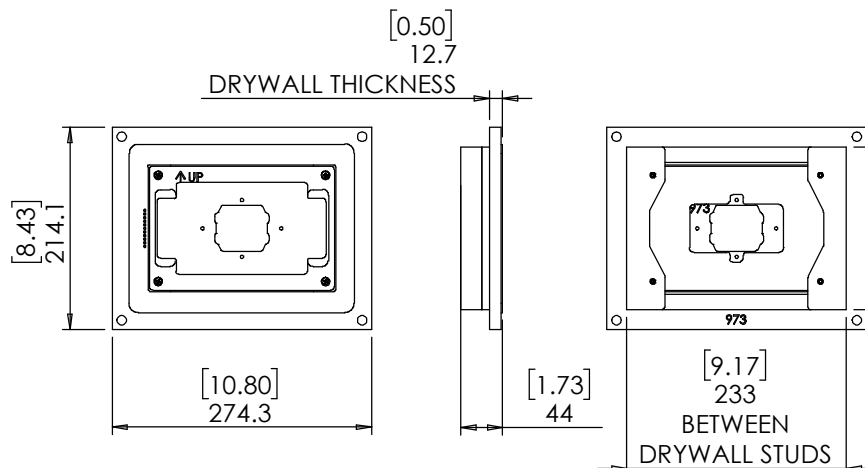
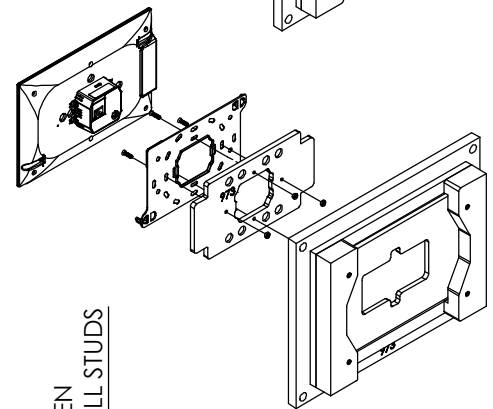
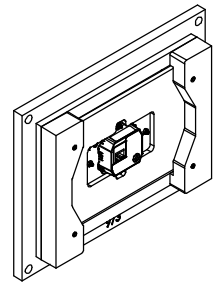
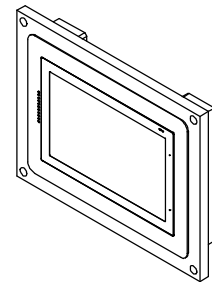
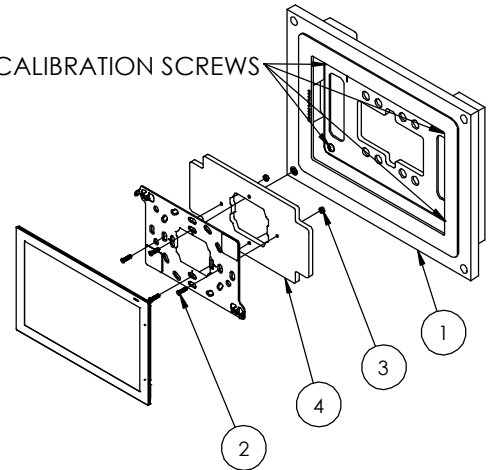
Key features and benefits:

- Flush with the wall.
- Paintable with the wall paint in any color and texture.
- Includes depth calibration mechanism.
- Allows easy insertion and removal of the touch screen.
- The adapter is supplied unpainted (To be painted after installation as part of the wall).
- Designed to be installed in 1/2" drywall. Installation of the Wall-Smart adapter is straight-forward. Installation process is similar to drywall construction procedures. Before installation, read Wall-Smart installation instruction 10-04-00101-INS in <http://www.wall-smart.com/faq>
- For installation in concrete/block wall use "CONCRETE BOX 276X218" P/N 10-01-131 (sold separately) according installation instruction 10-04-00103-INS in <http://www.wall-smart.com/faq>
- Designed for the use with BL/WH 8" touch screen (touch screen not included).
- Adapter kit contains:
 1. Wall adapter (X1)
 2. M3x12 screws (X4)
 3. M3 nuts (X4)
 4. Screen adapter (X1)

Key properties:

- Dimensions (W/H/D): 274.3mm (10.80")/ 214.1mm (8.43")/ 44mm (1.73")
- Power Supply: None (manual adapter).
- Weight: 0.75Kg, 1.65lbs.
- Material: Moisture resistant MDF
- To be installed in 1/2" drywall (for installation in 5/8" drywall use 1/8" shim pack P/N 10-01-067 (sold separately)).

DEPTH CALIBRATION SCREWS



PUSH TO OPEN