



Model: WS RETROFIT FOR SAVANT THERMOSTAT CLI-W200

Model No.: 028-1-392-BL / -WH / -WO

Family: WALL-SMART

DWG NO. 028-4-392-SPC

PRODUCT SPEC.

REVISION B

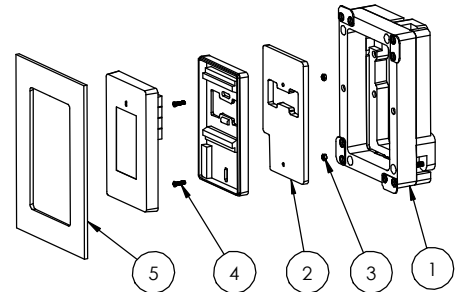
DATE 23/JULY/2019



Make Your Wall Smart

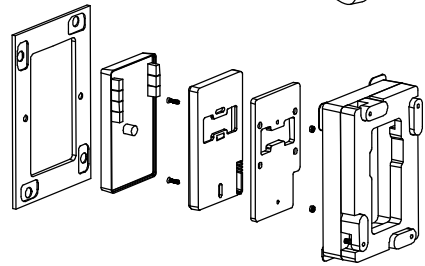
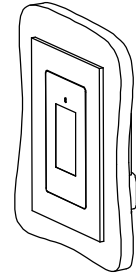
“WS RETROFIT FOR SAVANT THERMOSTAT CLI-W200” - Product description:

The “WS RETROFIT FOR SAVANT THERMOSTAT CLI-W200” is an adapter for in-wall nearly flush retrofit installation of a CLI-W200 thermostat. The “WS RETROFIT FOR SAVANT THERMOSTAT CLI-W200” firmly mounts the CLI-W200 thermostat while allowing easy insertion, removal and operation.



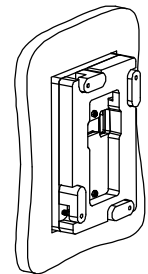
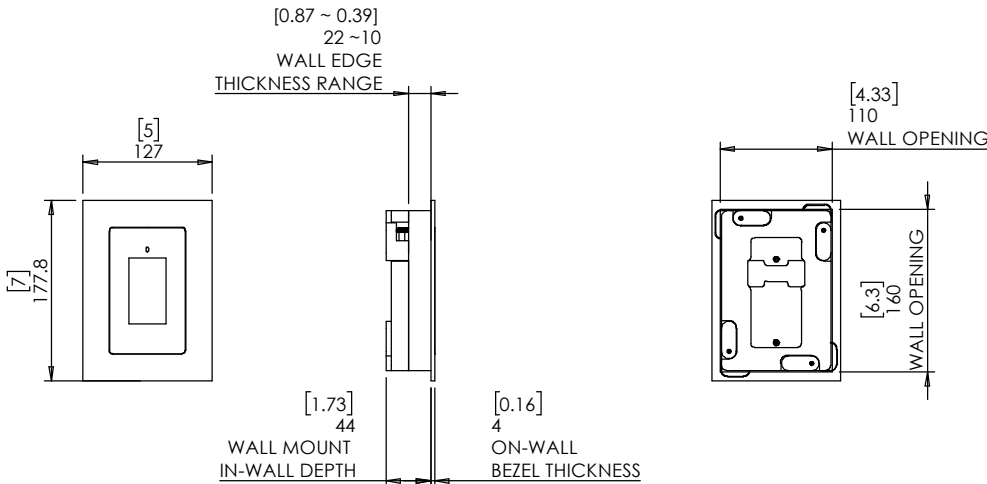
Key features and benefits:

- Thermostat should be connected to a remote temperature sensor.
- Nearly flush with the wall (4mm [0.16"] thick on-wall bezel).
- Allows easy insertion and removal of the thermostat.
- Bezel attaches magnetically to the retrofit wall mount base.
- The bezel is supplied painted black (-BL), white (-WH) or unpainted (-WO).
- Designed for the use with CLI-W200 thermostat (by Savant) (thermostat is not included).
- Adapter kit contains:
 1. (X1) Wall mount base;
 2. (X1) Thermostat adapter;
 3. (X2) M3 nuts;
 4. (X2) M3x12 screws
 5. (X1) Bezel;



Key properties:

- Dimensions: (W/H/D): 127mm (5")/ 177.8mm (7")/ 48mm (1.89")
- Weight: 0.6Kg, 1.32lbs.
- Material: Moisture resistant MDF (compliant with TSCA Title VI)





Model: WS RETROFIT FOR SAVANT
THERMOSTAT CLI-W200

Family: WALL-SMART

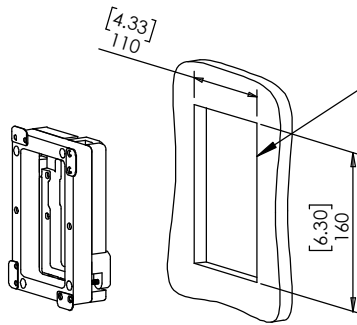
DWG NO. 028-4-392-SPC

Model No.: 028-1-392-BL / -WH / -WO

PRODUCT SPEC.

REVISION B

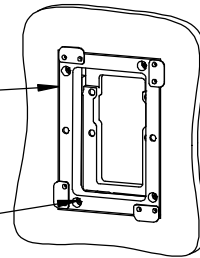
DATE 23/JULY/2019



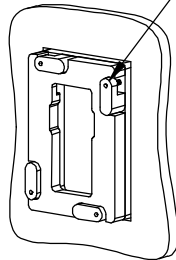
1. CUT OPENING - BOARD THICKNESS 10mm [0.39"]
UP TO 21mm [0.83"] (FOR BOARDS UP TO
32mm [1.25"] THICK, REINSTALL CAM LATCHES
UPSIDE DOWN.

2. ROUTE NECESSARY CABLES

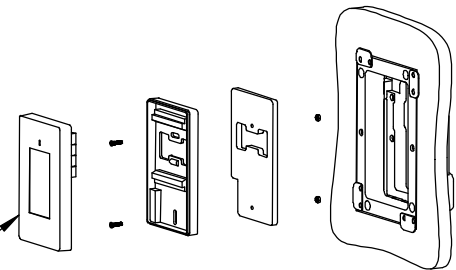
3. INSERT WALL MOUNT BASE



4. GENTLY SCREW CLOCKWISE 4 RETENTION
SCREWS UNTIL CAM LATCHES RETAIN
THE UNIT.



5. ASSEMBLE AND ATTACH THE THERMOSTAT



6. ATTACH BEZEL (MAGNETICALLY)

