



Model: WS SB FOR 10" TOUCH SCREEN

Model No.: 028-1-977

Family: WALL-SMART

DWG NO. 028-1-977-SPC

PRODUCT SPEC.

REVISION A

DATE 02/Jan./2025



Make Your Wall Smart

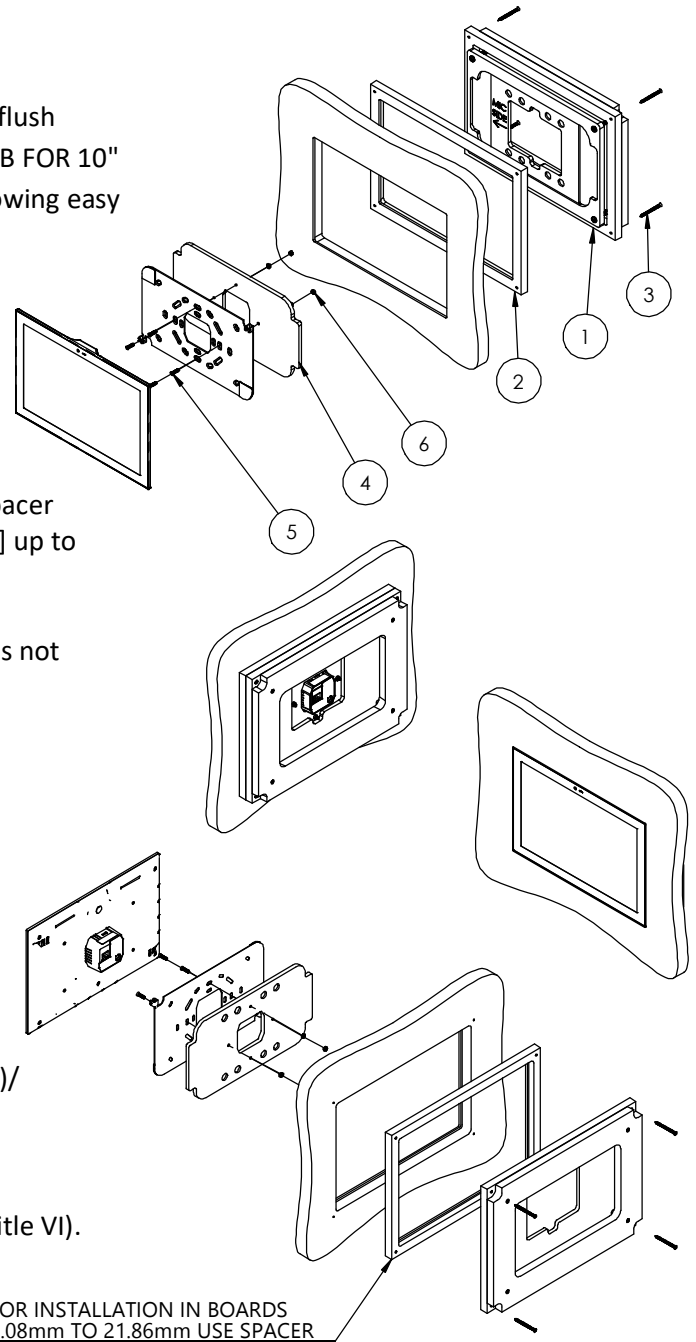
“WS SB FOR 10" TOUCH SCREEN” - Product description:

The “WS SB FOR 10" TOUCH SCREEN” is an adapter for in-wall flush installation of 10" touch screen in solid board walls. The “WS SB FOR 10" TOUCH SCREEN” firmly mounts the 10" touch screen while allowing easy insertion, removal and operation.

Key features and benefits:

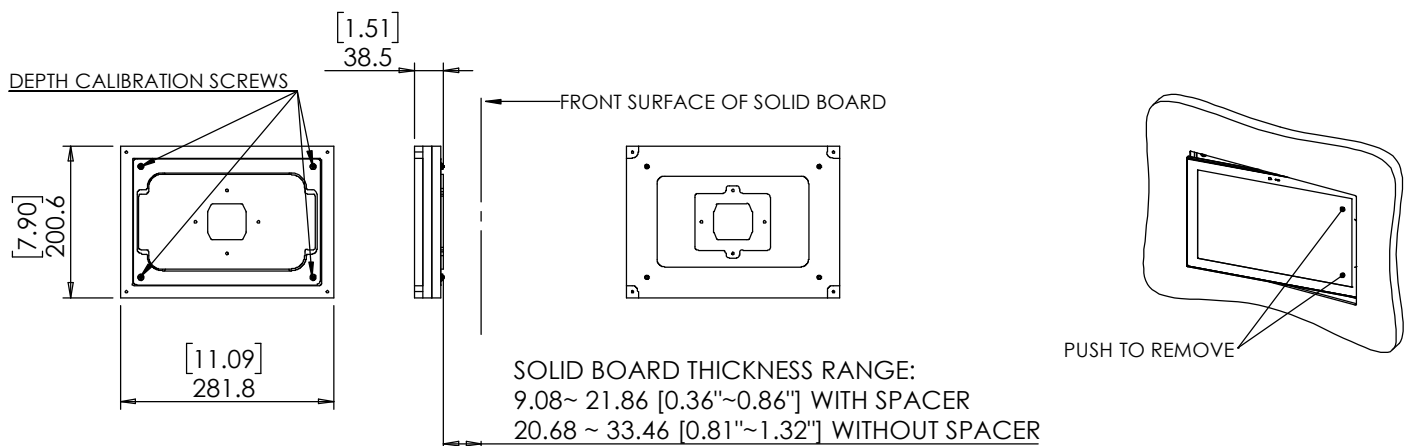
- Flush with the solid surface wall.
- Wall mount may be mounted in any orientation.
- Allows easy insertion and removal of the touch screen.
- Wall mount contains depth calibration mechanism and spacer allowing installation in solid surface boards of 9.08 [0.36"] up to 33.46 [1.32"] thickness.
- See page 2 for routing dimensions.
- Designed for the use 10" touch screen (10" touch screen is not included).
- Adapter kit contains:

1. Wall adapter (X1)
2. Spacer (X1)
3. ST3x40 screws (X4)
4. Screen adapter (X1)
5. M3x12 Flat screws (X4)
6. M3 nuts (X4)



Key properties:

- Dimensions: (W/H/D): 281.8mm (11.09")/ 200.6mm (7.9")/ 38.5mm (1.51").
- Power Supply: None (manual adapter).
- Weight: 0.7Kg, 1.54lbs.
- Material: Moisture resistant MDF (compliant with TSCA Title VI).



MARK SCREW LOCATIONS

PRINT THIS PAGE 1:1 SCALE

CUTOUT ROUTING TEMPLATE
028-1-977

SCALE 1:1

CONTACT WALL-SMART FOR DXF FILE

$\left[\begin{array}{l} +0.012 \\ 6.638 -0.008 \end{array} \right]$
+0.3
168.6 -0.2
ROUTE THRU

$\left[\begin{array}{l} +0.012 \\ 9.835 -0.008 \end{array} \right]$
+0.3
249.8 -0.2
ROUTE THRU

$\left[\begin{array}{l} 0.08 \\ R2 \end{array} \right]$

$\left[\begin{array}{l} 0.31 \\ 8 \end{array} \right]$

$\left[\begin{array}{l} 7.27 \\ 184.6 \end{array} \right]$

$\left[\begin{array}{l} 0.31 \\ 8 \end{array} \right]$

$\left[\begin{array}{l} 10.46 \\ 265.8 \end{array} \right]$

