



Model: WS SB FOR RTI IST-10"

Model No.: 027-1SA15

Family: WALL-SMART

DWG NO. 027-4SA15-SPC

PRODUCT SPEC.

REVISION A

DATE 10/Sep/2024



Make Your Wall Smart

“WS SB FOR RTI IST-10” - Product description:

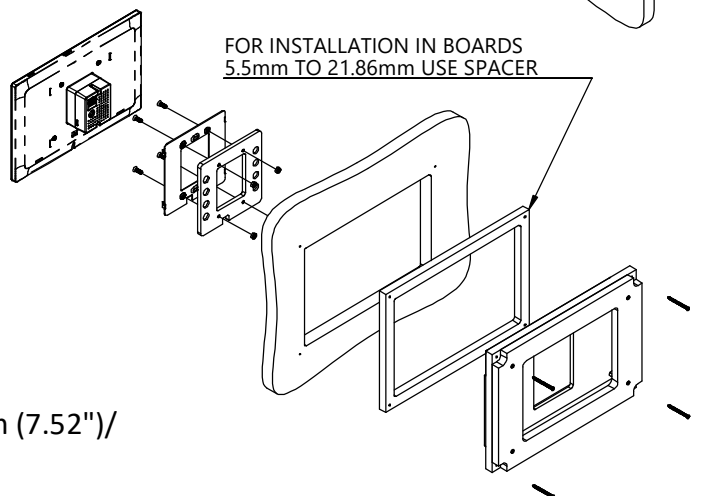
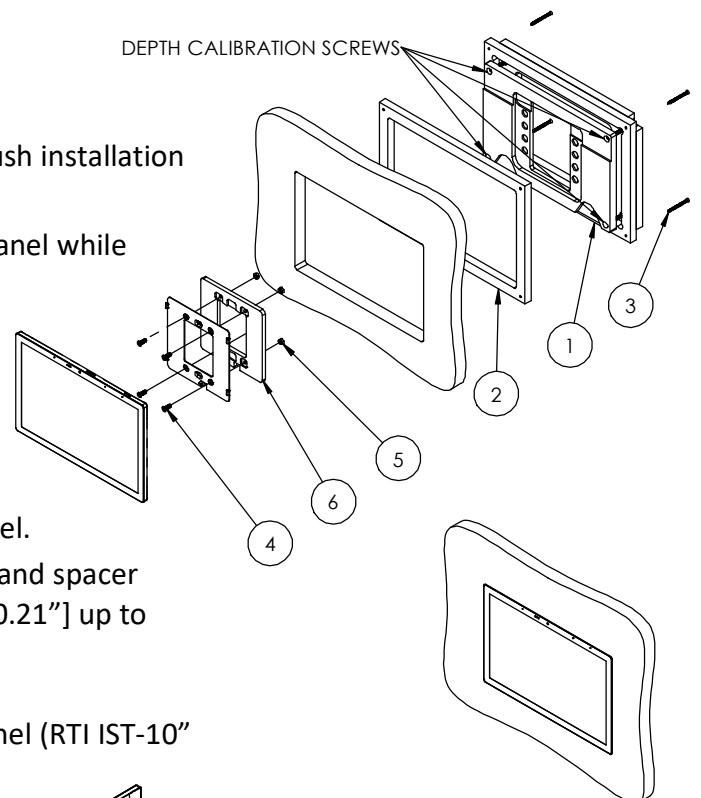
The “WS SB FOR RTI IST-10” is an adapter for in-wall flush installation of RTI IST-10” touch panel in solid board walls.

The “WS SB FOR RTI IST-10” firmly mounts the touch panel while allowing easy insertion, removal and operation.

Key features and benefits:

- Flush with the solid surface wall.
- Wall mount may be mounted in any orientation.
- Allows easy insertion and removal of the touch panel.
- Wall mount contains depth calibration mechanism and spacer allowing installation in solid surface boards of 5.5 [0.21”] up to 32.9 [1.29”] thickness.
- See page 2 for routing dimensions.
- Designed for the use with RTI IST-10-W/B touch panel (RTI IST-10” touch panel is not included).
- Adapter kit contains:

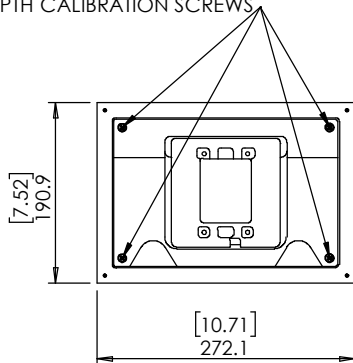
1. Wall adapter (X1)
2. Spacer (X1)
3. ST3x40 screws (X4)
4. M4x12 Flat head (X4)
5. M4 nuts (X4)
6. Screen adapter (X1)



Key properties:

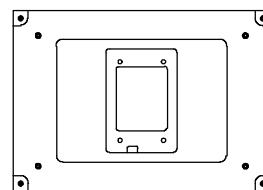
- Dimensions: (W/H/D): 272.1mm (10.71”)/ 190.9mm (7.52”)/ 43.1mm (1.70”).
- Power Supply: None (manual adapter).
- Weight: 0.75Kg, 1.65lbs.
- Material: Moisture resistant MDF (compliant with TSCA Title VI).

DEPTH CALIBRATION SCREWS

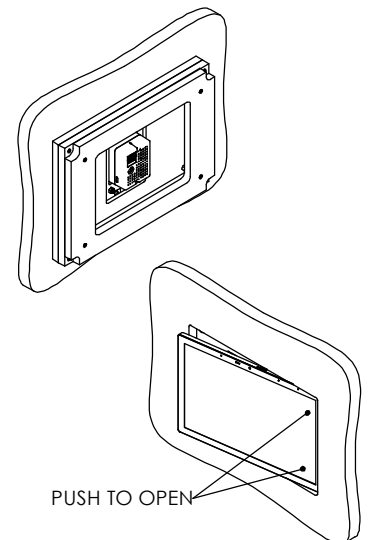


[1.70]
43.1

FRONT SURFACE OF SOLID BOARD



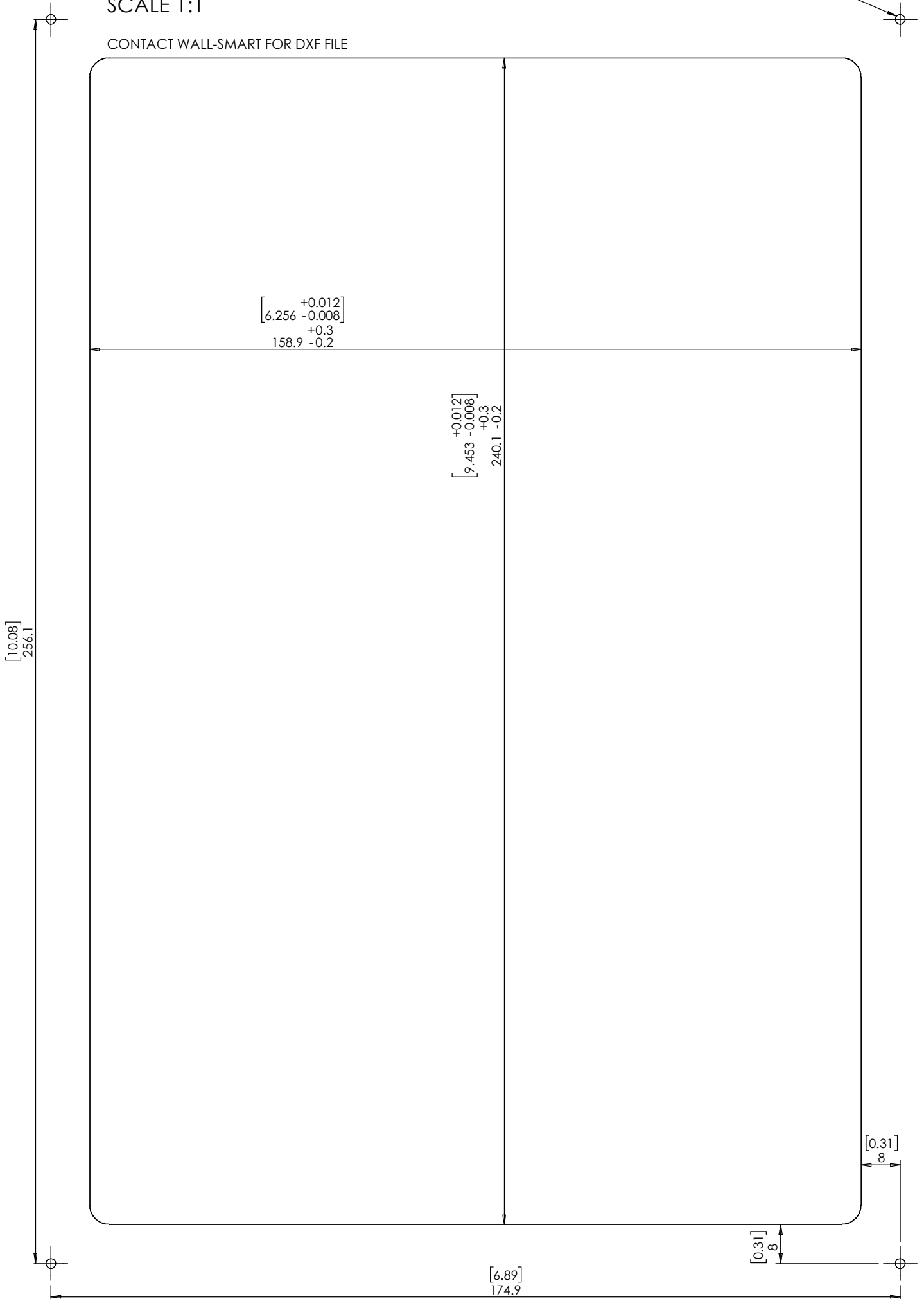
SOLID BOARD THICKNESS RANGE:
5.5 ~ 21.86 [0.21”~0.86”] WITH SPACER
16.58 ~ 32.9 [0.65”~1.29”] WITHOUT SPACER



SCALE 1:1

MARK SCREW LOCATIONS

CONTACT WALL-SMART FOR DXF FILE



$[6.256$ $+0.012$
 $-0.008]$
 $+0.3$
 158.9 -0.2

$[9.453$ $+0.012$
 $-0.008]$
 $+0.3$
 240.1 -0.2

$[10.08]$
256.1

$[6.89]$
174.9

$[0.31]$
8

$[0.31]$
8