



Model: WS SB FOR RTI IST-5"

Model No.: 027-1SA12

Family: WALL-SMART

DWG NO. 027-4SA12-SPC

PRODUCT SPEC.

REVISION A

DATE 22/Aug/2024



### Make Your Wall Smart

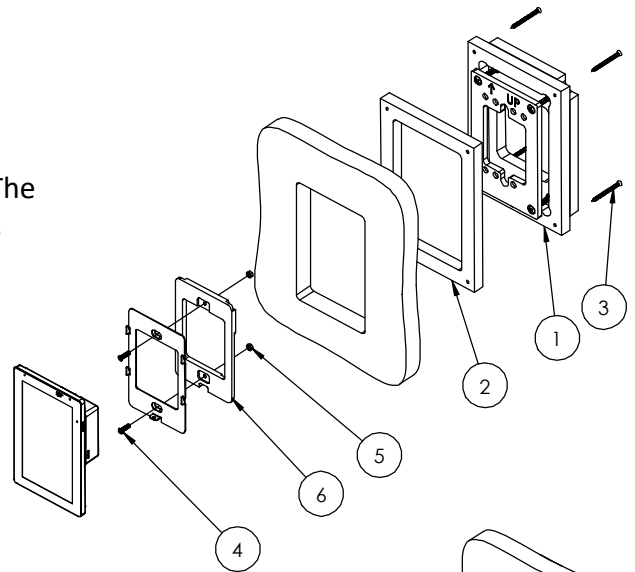
#### “WS SB FOR RTI IST-5” - Product description:

The “WS SB FOR RTI IST-5” is an adapter for in-wall flush installation of a RTI IST-5” touch panel in solid board walls. The “WS SB FOR RTI IST-5” firmly mounts the touch panel while allowing easy insertion, removal and operation.

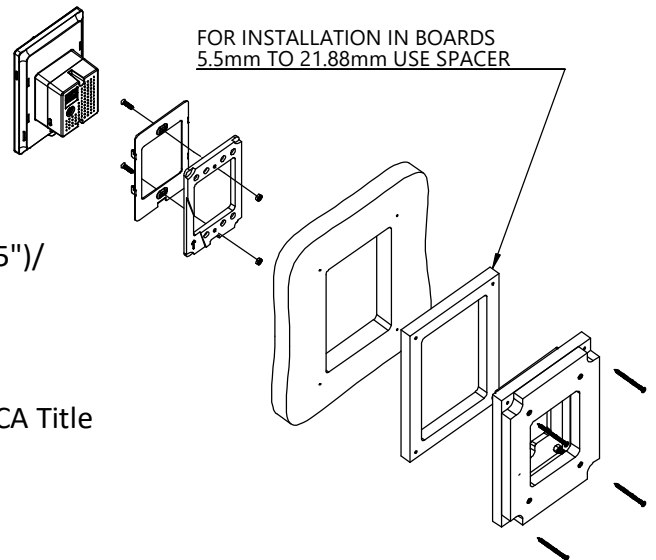
#### Key features and benefits:

- Flush with the solid surface wall.
- Wall mount may be mounted in any orientation.
- Allows easy insertion and removal of the touch panel.
- Wall mount contains depth calibration mechanism and spacer allowing installation in solid surface boards of 5.5 [0.21”] up to 33.48 [1.31”] thickness.
- See page 2 for routing dimensions.
- Designed for the use with BL/WH RTI IST-5” touch panel (touch panel is not included).
- Adapter kit contains:

1. Wall adapter (X1)
2. Spacer (X1)
3. ST3x40 screws (X4)
4. M3x12 (X2)
5. M3 nuts (X2)
6. Touch panel adapter (X1)



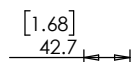
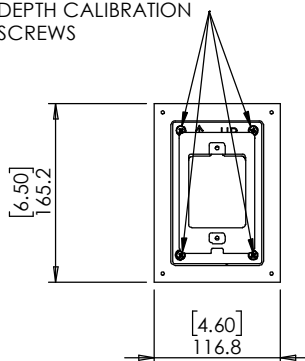
FOR INSTALLATION IN BOARDS 5.5mm TO 21.88mm USE SPACER



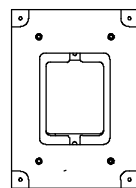
#### Key properties:

- Dimensions: (W/H/D): 116.8mm (4.6”)/ 165.2mm (6.5”)/ 42.7mm (1.68”).
- Power Supply: None (manual adapter).
- Weight: 0.5Kg, 1.11lbs.
- Material: Moisture resistant MDF (compliant with TSCA Title VI).

DEPTH CALIBRATION SCREWS



FRONT SURFACE OF SOLID BOARD



SOLID BOARD THICKNESS RANGE:  
5.5 ~ 21.88 [0.21”~0.86”] WITH SPACER  
17.1 ~ 33.48 [0.67”~1.31”] WITHOUT SPACER

PUSH TO OPEN

