



Model: WS RETROFIT FOR RTI IST-10"
BLACK/WHITE/UNPAINTED

Model No.: 027-1RA16-BL/-WH/-WO

Family: WALL-SMART

DWG NO. 027-4RA16-SPC

PRODUCT SPEC.

REVISION A

DATE 25/Aug/2024



Make Your Wall Smart

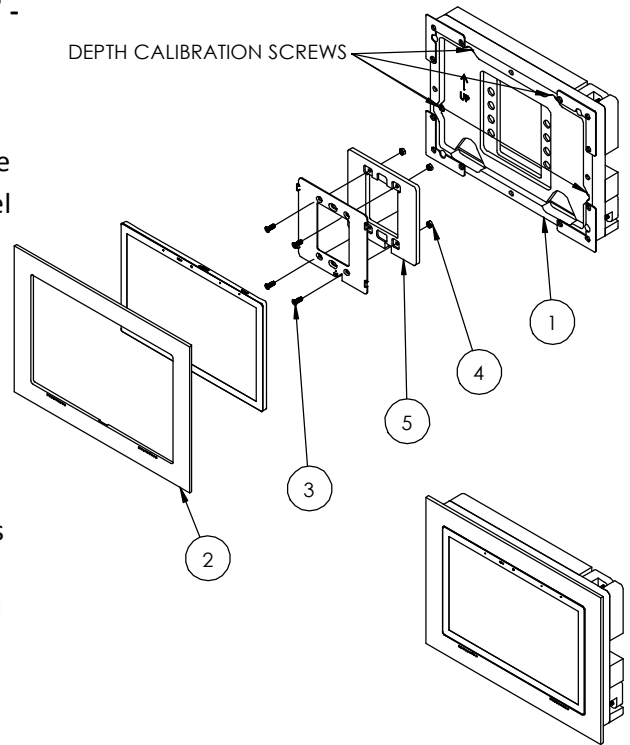
“WS RETROFIT FOR RTI IST-10” BLACK/WHITE/UNPAINTED” -

Product description:

The “WS RETROFIT FOR RTI IST-10” is an adapter for in-wall nearly flush retrofit installation of RTI IST-10” touch panel. The “WS RETROFIT FOR RTI IST-10” firmly mounts the touch panel while allowing easy insertion, removal and operation.

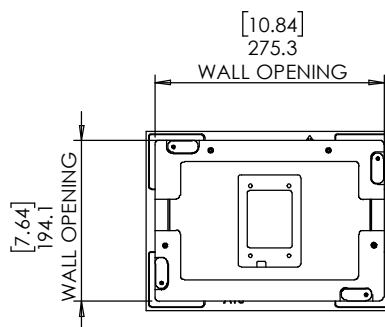
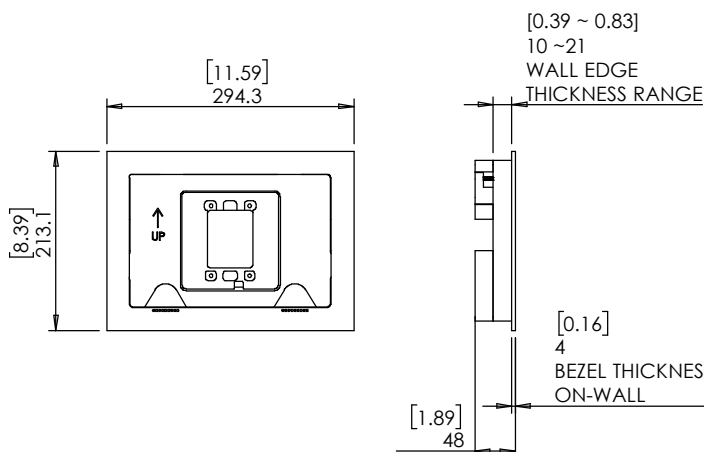
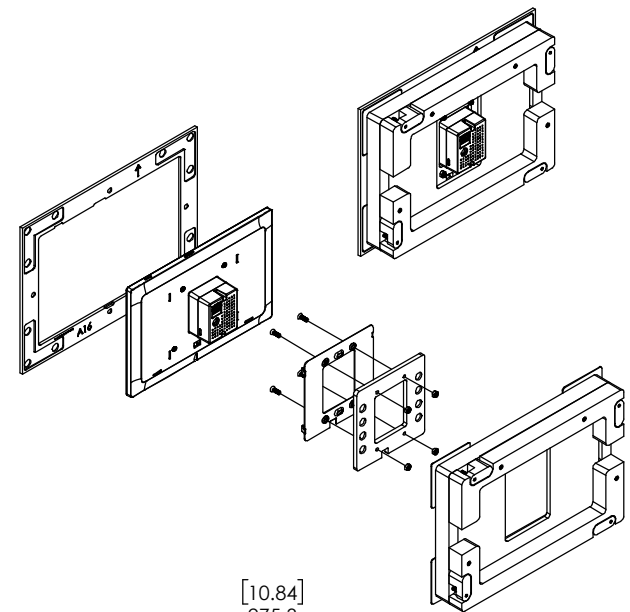
Key features and benefits:

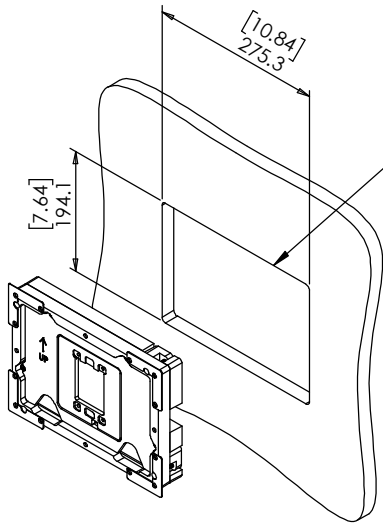
- Nearly flush with the wall (4mm [0.16”] thick on-wall bezel).
- Wall mount contains depth calibration screws.
- Board thickness 10mm[0.39”] up to 21mm[0.83”]. For boards up to 32mm[1.25”] thick, reinstall cam latches upside down.
- Designed for the use with RTI IST-10” BL/WH touch panel (RTI IST-10” touch panel is not included).
- The bezel is supplied painted black (-BL), white (-WH) or unpainted (-WO).
- Adapter kit contains:
 1. Wall adapter (X1)
 2. Bezel (X1)
 3. M4x12 Flat screws (X4)
 4. M4 nuts (X4)
 5. Touch panel adapter (X1)



Key properties:

- Dimensions: (W/H/D): 294.3mm (11.59”)/ 213.1mm (8.39”)/ 48mm (1.89”)
- Weight: 0.75Kg, 1.65lbs.
- Material: Moisture resistant MDF (compliant with TSCA Title VI).



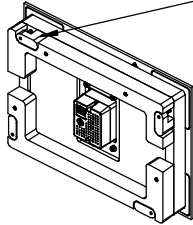


1. CUT OPENING - BOARD THICKNESS 10mm [0.39"]
UP TO 21mm [0.83"] (FOR BOARDS UP TO
32mm [1.25"] THICK, REINSTALL CAM LATCHES
UPSIDE DOWN.

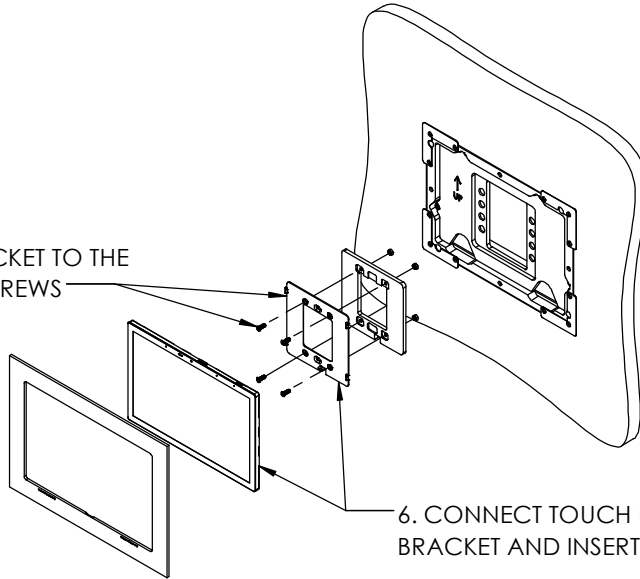
2. ROUTE NECESSARY CABLES

3. INSERT WALL MOUNT BASE

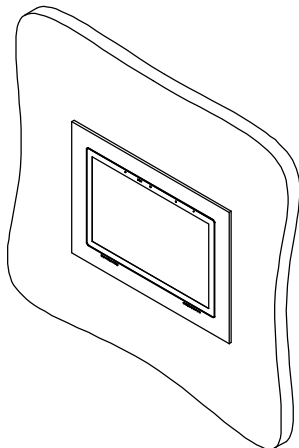
4. GENTLY SCREW CLOCKWISE 4
RETENTION SCREWS UNTIL CAM
LATCHES RETAIN THE UNIT



5. ATACH THE MOUNTING BRACKET TO THE
ADAPTER PLATE USING 4 M3 SCREWS



6. CONNECT TOUCH PANEL TO THE MOUNTING
BRACKET AND INSERT TO THE MOUNT



7. ATTACH BEZEL
(MAGNETICALLY)

