



Model: WS NC FOR RTI IST-10"

Model No.: 027-1NA14

Family: WALL-SMART

DWG NO. 027-4NA14-SPC

PRODUCT SPEC.

REVISION A

DATE 15/Aug/2024



Make Your Wall Smart

"WS NC FOR RTI IST-10" - Product description:

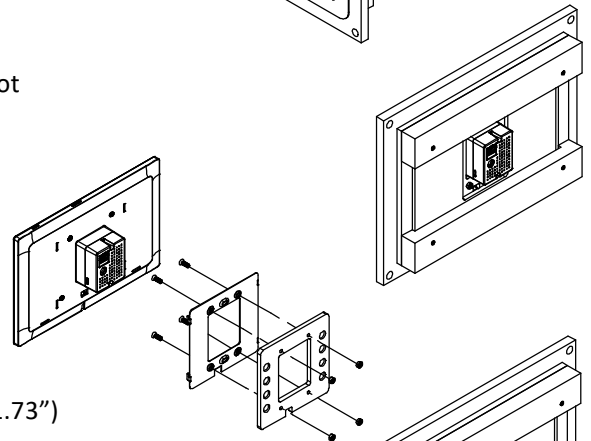
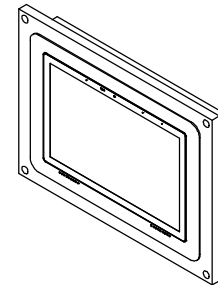
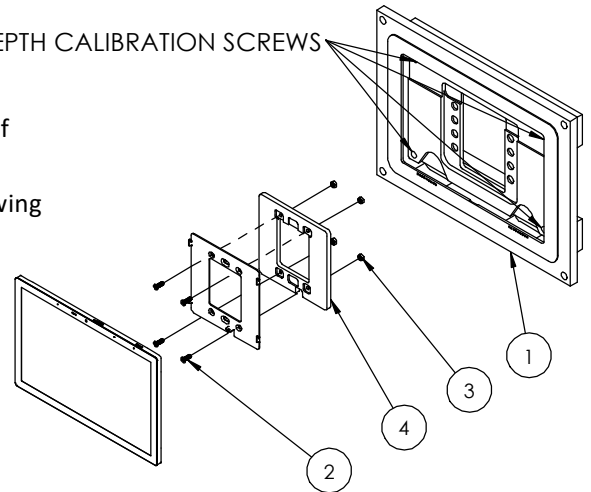
The "WS NC FOR RTI IST-10" is an adapter for in-wall flush installation of 10" touch screen.

The "WS NC FOR RTI IST-10" firmly mounts the touch screen while allowing easy access, insertion and operation.

Key features and benefits:

- Flush with the wall.
- Paintable with the wall paint in any color and texture.
- Includes depth calibration mechanism.
- Allows easy insertion and removal of the touch screen.
- The adapter is supplied unpainted (To be painted after installation as part of the wall).
- Designed to be installed in 1/2" drywall. Installation of the Wall-Smart adapter is straight-forward. Installation process is similar to drywall construction procedures. Before installation, read Wall-Smart installation instruction 10-04-00101-INS in <http://www.wall-smart.com/faq>
- For installation in concrete/block wall use "WS CONCRETE BOX 328X242" P/N 100-1-789 (sold separately) according installation instruction 10-04-00103-INS in <http://www.wall-smart.com/faq>
- Designed for the use with RTI IST-10" touch screen (touch screen not included).
- Adapter kit contains:
 1. Wall adapter (X1)
 2. M4x12 Flat screws (X4)
 3. M4 nuts (X4)
 4. Screen adapter (X1)

DEPTH CALIBRATION SCREWS



Key properties:

- Dimensions (W/H/D): 325.1mm (12.80")/ 240mm (9.45")/ 44mm (1.73")
- Power Supply: None (manual adapter).
- Weight: 0.7Kg, 1.54lbs.
- Material: Moisture resistant MDF (compliant with TSCA Title VI)
- To be installed in 1/2" drywall (for installation in 5/8" drywall use 1/8" shim pack P/N 10-01-067 (sold separately)).

