



Model: WS SB FOR RTI KA8

Family: WALL-SMART

DWG NO. 027-4-487-SPC



Model No.: 027-1-487

PRODUCT SPEC.

REVISION A

DATE 10/NOV./2018

Make Your Wall Smart

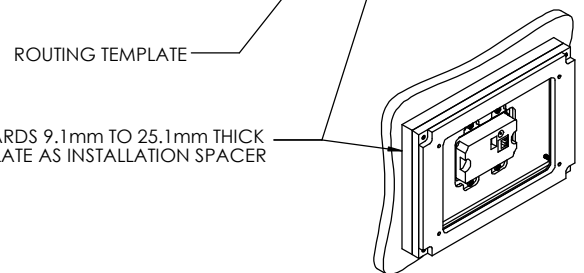
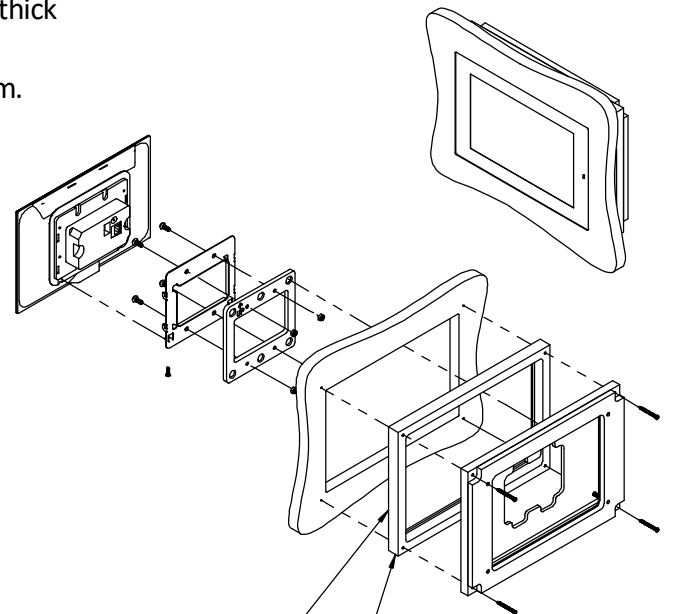
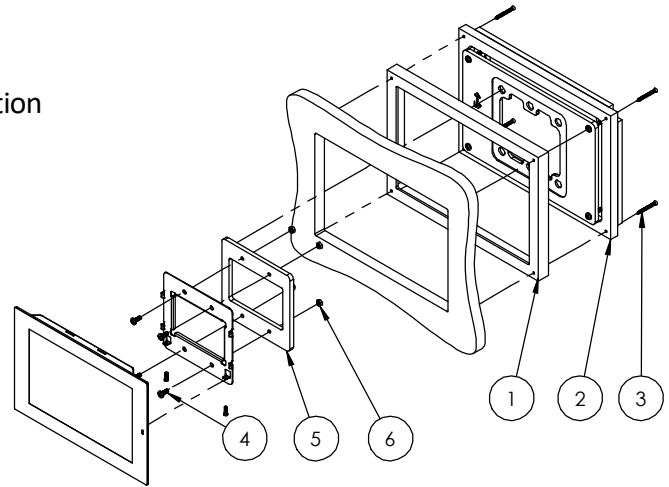
“WS SB FOR RTI KA8” - Product description:

The “WS SB FOR RTI KA8” is an adapter for in-wall flush installation of a KA8 touch panel in solid board walls.

The “WS SB FOR RTI KA8” firmly mounts the touch panel while allowing easy access, insertion and removal.

Key features and benefits:

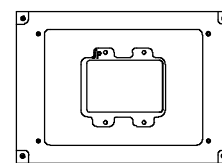
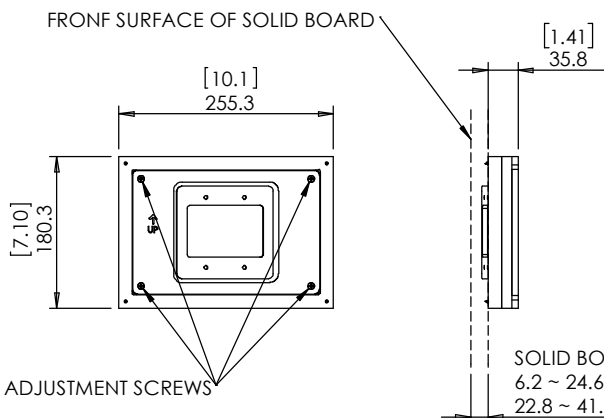
- Flush with the wall.
- Allows easy insertion and removal of the touch screen by manual push and magnet detachment.
- Designed to be installed in 6.2 ~ 41.2mm (0.244” ~ 1.62”) thick solid boards.
- Installation adapter contains depth adjustment mechanism.
- Installation kit contain:
 - X1 routing template (item #1)
 - X1 installation adapter (item #2)
 - X4 ST3x40 screws (item #3)
 - X4 M4x10 screws (item #4)
 - X1 touch screen adapter (item #5)
 - X4 M4 nuts (item #6)
- Designed for KA8 touch panel (by RTI) (Touch screen not included).



FOR INSTALLATION IN BOARDS 9.1mm TO 25.1mm THICK USE ROUTING TEMPLATE AS INSTALLATION SPACER

Key properties:

- Dimensions (W/H/D): 255.3mm (10.1")/ 180.3mm (7.1")/ 35.8mm (1.41")
- Power Supply: None (manual adapter).
- Weight: 0.62Kg, 1.4lbs.
- Material: Moisture resistant MDF



PUSH TO OPEN



Model: WS SB FOR RTI KA8

Family: WALL-SMART

DWG NO. 027-4-487-SPC

Model No.: 027-1-487

PRODUCT SPEC.

REVISION A

DATE 10/NOV./2018



[6.469]
164.3

[9.421]
239.3

ROUTING TEMPLATE

[8.831 +0.012
-0.008 +0.3
224.3 -0.2

[5.878 +0.012
-0.008 +0.3
149.3 -0.2

R2.1

[0.295]
7.5

[0.295]
7.5

MARK SCREW
LOCATIONS