



Model: WS NC FOR CRESTRON HZ2
LINE VOLTAGE 2G

Model No.: 012-1NA07

Family: WALL-SMART

DWG NO. 012-4NA07-SPC

PRODUCT SPEC.

REVISION A

DATE 29/MAY/2024



Make Your Wall Smart

“WS NC FOR CRESTRON HZ2 LINE VOLTAGE 2G” - Product description:

The “WS NC FOR CRESTRON HZ2 LINE VOLTAGE 2G” is an adapter for in-wall flush installation of a CRESTRON HZ2 2 gang line voltage devices.

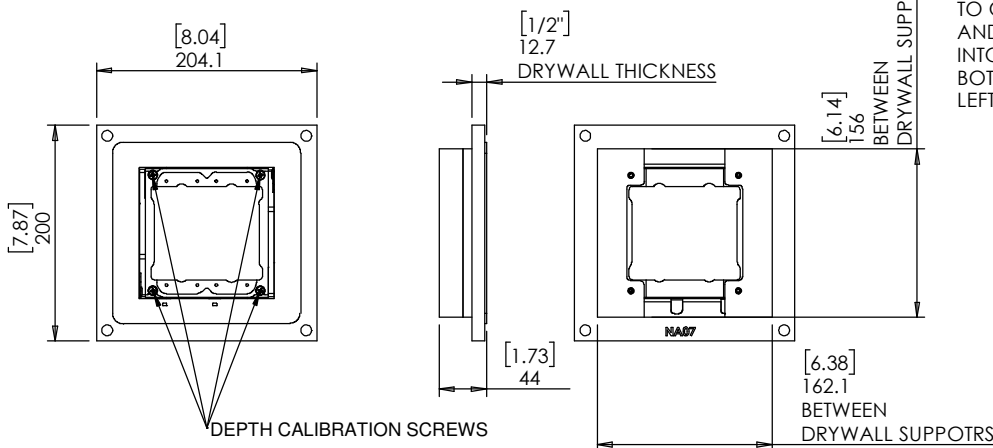
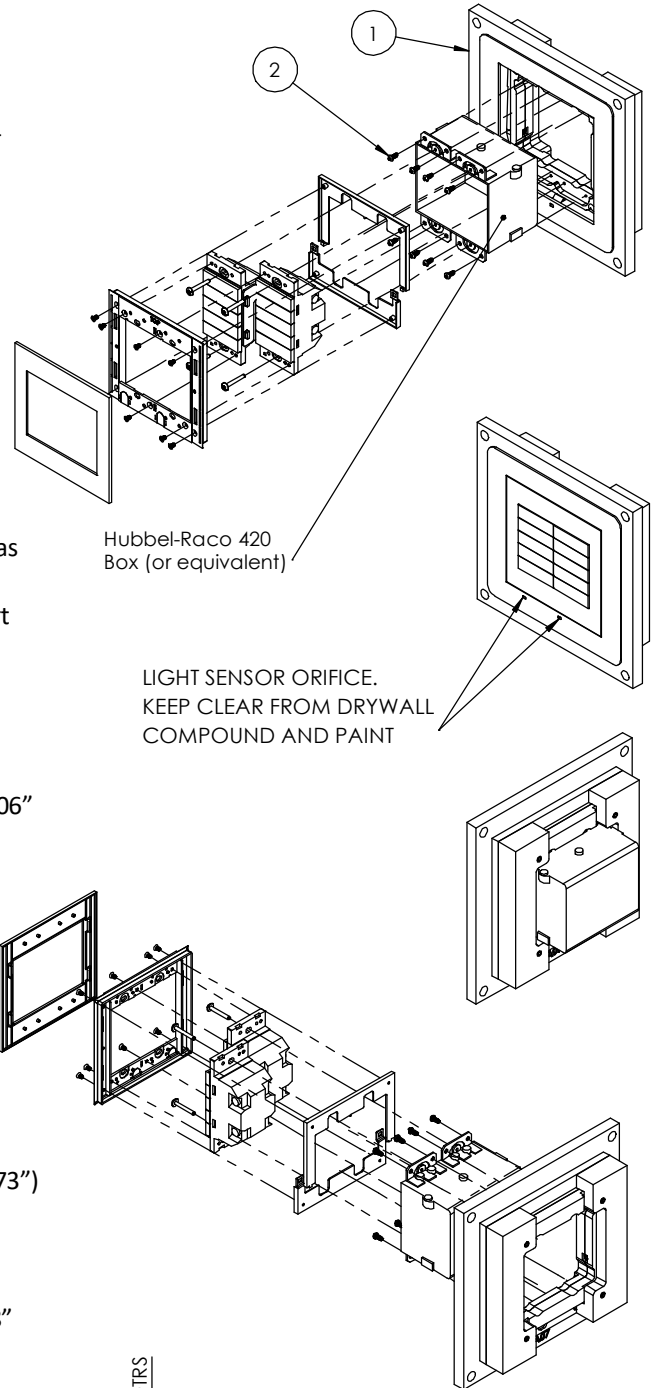
The “WS NC FOR CRESTRON HZ2 LINE VOLTAGE 2G” firmly mounts the device while allowing easy access, insertion and operation.

Key features and benefits:

- Flush with the wall.
- Includes depth calibration mechanism.
- Paintable with the wall paint in any color and texture.
- Allows easy insertion and removal of the faceplate and accessories.
- The adapter is supplied unpainted (To be painted after installation as part of the wall).
- Designed to be installed in 1/2” drywall. Installation of the Wall-Smart adapter is straight-forward. Installation process is similar to drywall construction procedures. Before installation, read Wall-Smart installation instruction 10-04-00101-INS in <http://www.wall-smart.com/faq>
- For installation in concrete/brick wall use “WS Concrete Box 202X206” P/N 100-1-138 (sold separately) according installation instruction 10-04-00103-INS in <http://www.wall-smart.com/faq>
- Designed for the use with HZ2 2 gang devices (by CRESTRON) (CRESTRON devices are not included).
- Adapter kit contains:
 1. Wall adapter (x1)
 2. KA3.5X8 Screws (x8)

Key properties:

- Dimensions (W/H/D): 204.1mm (8.04")/ 200mm (7.87")/ 44mm (1.73")
- Power Supply: None (manual adapter).
- Weight: 0.53Kg, 1.164lbs.
- Material: Moisture resistant MDF.
- To be installed in 1/2” drywall (for installation in 5/8” drywall use 1/8” shim pack P/N 10-01-067 (sold separately)).



TO OPEN THE FACEPLATE, INSERT AND PUSH A THIN PLASTIC CARD INTO THE VERTICAL GAP ON THE BOTTOM RIGHT OR ON THE TOP LEFT CORNERS