



Model: WS SB FOR CRESTRON TSW-770

Model No.: 012-1-831

Family: WALL-SMART

DWG NO. 012-4-831-SPC

PRODUCT SPEC.

REVISION A

DATE 22/JUNE/2020



Make Your Wall Smart

“WS SB FOR CRESTRON TSW-770” - Product description:

The “WS SB FOR CRESTRON TSW-770” is an adapter for in-wall flush installation of a TSW-770 touch screen in solid Board walls.

The “WS SB FOR CRESTRON TSW-770” firmly mounts the touch screen while allowing easy insertion, removal and operation.

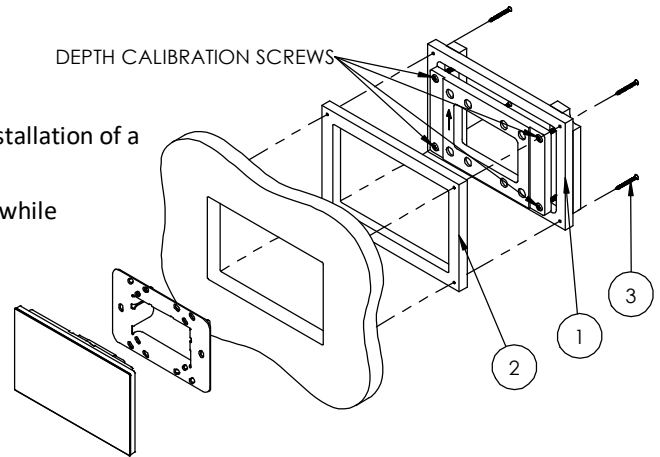
Key features and benefits:

- Flush with the solid surface wall.
- Wall mount may be mounted in any orientation.
- Allows easy insertion and removal of the touch screen.
- Wall mount contains depth calibration mechanism and spacer allowing installation in solid surface boards of 8.2 [0.32"] up to 33.5 [1.32"] thickness.
- See page 2 for routing dimensions.
- Designed for the use with TSW-770 touch screen by Crestron Electronics, Inc. © (touch screen is not included).
- Adapter kit contains:
 1. (X1) Wall adapter
 2. (X1) Spacer
 3. (X4) ST3x30 screws

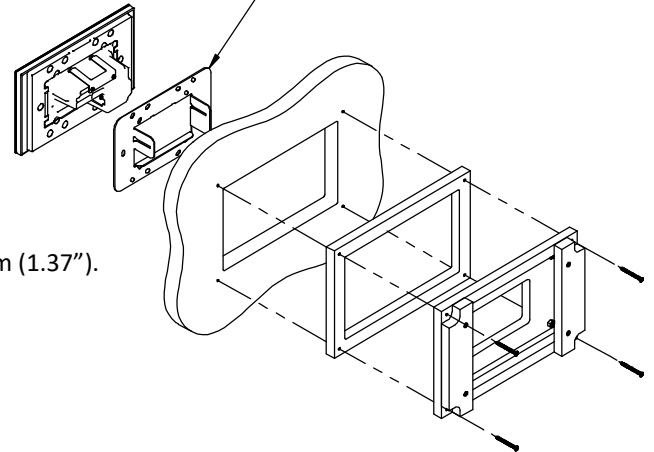
Key properties:

- Dimensions: (W/H/D): 205.5mm (8.09")/ 138.8mm (5.46")/ 34.8mm (1.37").
- Power Supply: None (manual adapter).
- Weight: 0.5Kg, 1.1lbs.
- Material: Moisture resistant MDF (compliant with TSCA Title VI).

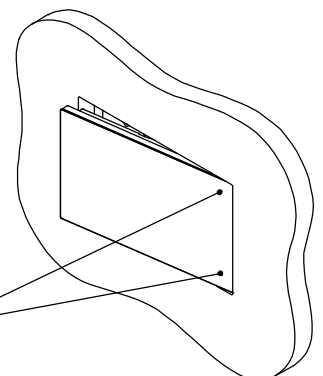
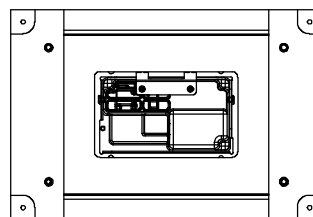
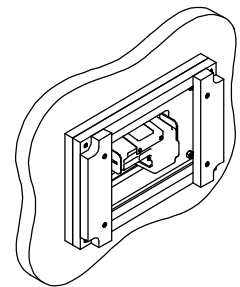
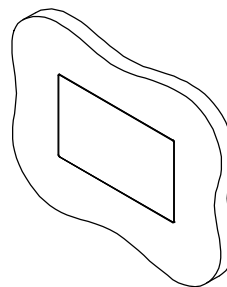
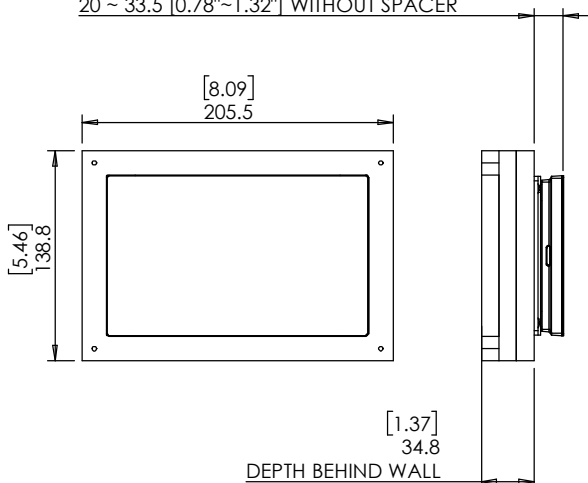
DEPTH CALIBRATION SCREWS



IMPORTANT: ATTACH CRESTRON MOUNTING BRACKET



SOLID BOARD THICKNESS RANGE:
8.2 ~ 21.7 [0.32"~0.85"] WITH SPACER
20 ~ 33.5 [0.78"~1.32"] WITHOUT SPACER



PUSH TO OPEN



Model: WS SB FOR CRESTRON TSW-770

Model No.: 012-1-831

Family: WALL-SMART

DWG NO. 012-4-831-SPC

PRODUCT SPEC.

REVISION A

DATE 22/JUNE/2020



CUTOUT ROUTING TEMPLATE 012-1-831

SCALE 1:1

CONTACT WALL-SMART FOR DXF FILE

MARK SCREW LOCATIONS

