



Model: WS NC FOR
CRESTRON TSW-570

Model No.: 012-1-827

Family: WALL-SMART

DWG NO. 012-4-827-SPC

PRODUCT SPEC.

REVISION A

DATE 17/JUNE/2020



Make Your Wall Smart

“WS NC FOR TSW-570” - Product description:

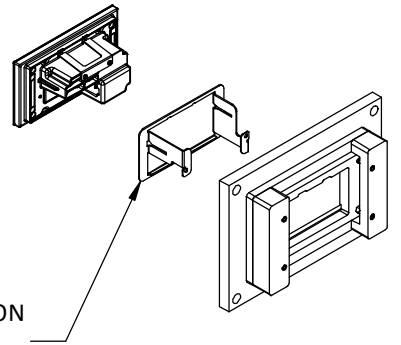
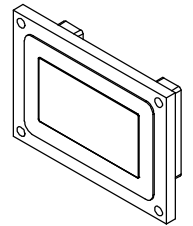
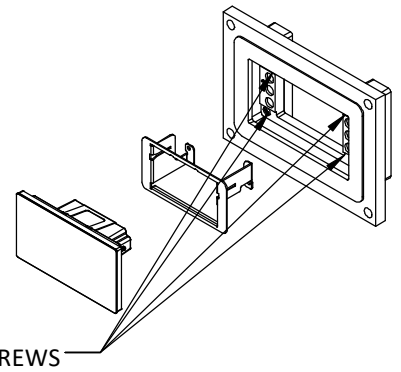
The “WS NC FOR TSW-570” is an adapter for in-wall flush installation of TSW-570 touch screen.

The “WS NC FOR TSW-570” firmly mounts the touch screen while allowing easy access, insertion and operation.

Key features and benefits:

- Flush with the wall.
- Paintable with the wall paint in any color and texture.
- Wall mount contains depth calibration mechanism.
- Allows easy insertion and removal of the touch screen.
- The adapter is supplied unpainted (To be painted after installation as part of the wall).
- Designed to be installed in ½” drywall. Installation of the Wall-Smart adapter is straight-forward. Installation process is similar to drywall construction procedures. Before installation, read Wall-Smart installation instruction 10-04-00101-INS in <http://www.wall-smart.com/faq>
- For installation in concrete/block wall use “WS CONCRETE BOX 202x145” P/N 100-1-842 (sold separately) according installation instruction 10-04-00103-INS in <http://www.wall-smart.com/faq>
- Designed for the use with TSW-570 touch screen by Crestron Electronics, Inc. © (touch screen is not included).
- Adapter kit contains:
 1. (X1) Wall mount;

DEPTH CALIBRATION SCREWS



IMPORTANT: ATTACH CRESTRON MOUNTING BRACKET

Key properties:

- Dimensions (W/H/D): 200mm (7.87”)/ 143mm (5.63”)/ 44mm (1.73”)
- Power Supply: None (manual adapter).
- Weight: 0.4Kg, 0.88lbs.
- Material: Moisture resistant MDF
- To be installed in ½” drywall (for installation in 5/8” drywall use 1/8” shim pack P/N 10-01-067 (sold separately).

