



Model: WS SB FOR CRESTRON HORIZON HZA-PWR 2G

Family: WALL-SMART

DWG NO. 012-04-786-SPC



Model No.: 012-1-786

PRODUCT SPEC.

REVISION A

DATE 15/AUG/2021

**Make Your Wall Smart**

**“WS SB FOR CRESTRON HORIZON HZA-PWR” - Product description:**

The “WS SB FOR CRESTRON HORIZON HZA-PWR 2G” is an adapter for in-wall flush installation of a CRESTRON HORIZON HZA-PWR 2G accessories in solid board walls.

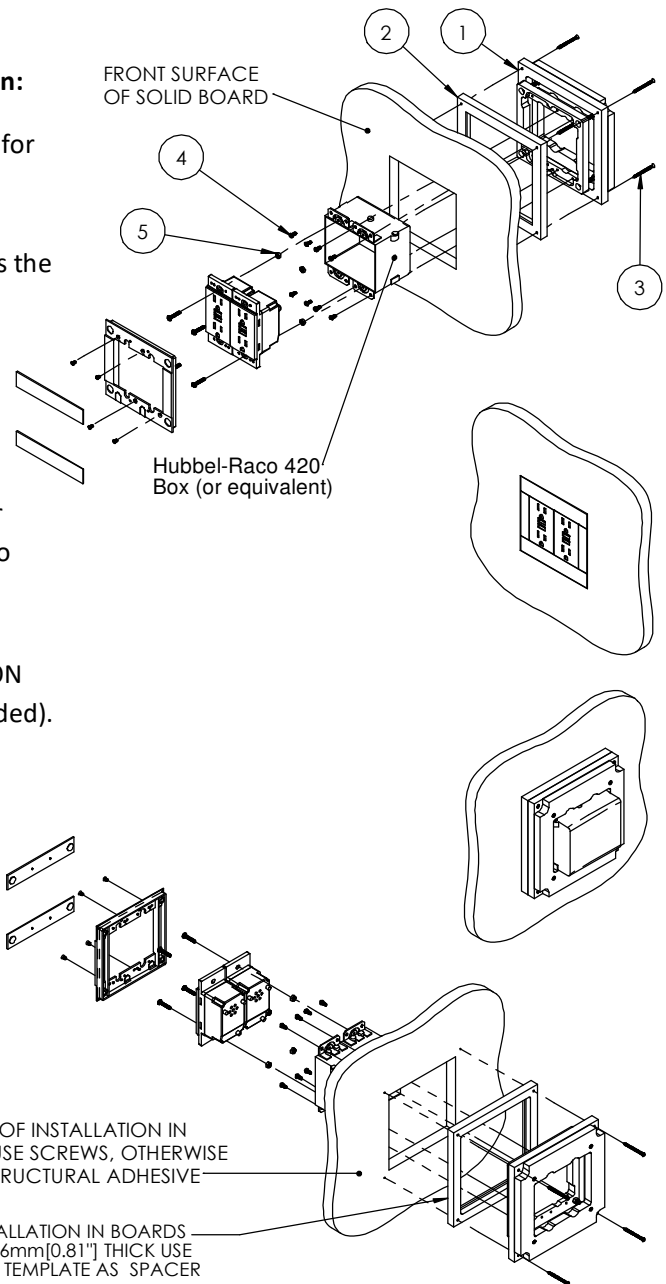
The “WS SB FOR CRESTRON HORIZON HZA-PWR 2G” firmly mounts the devices while allowing easy access, insertion and removal.

**Key features and benefits:**

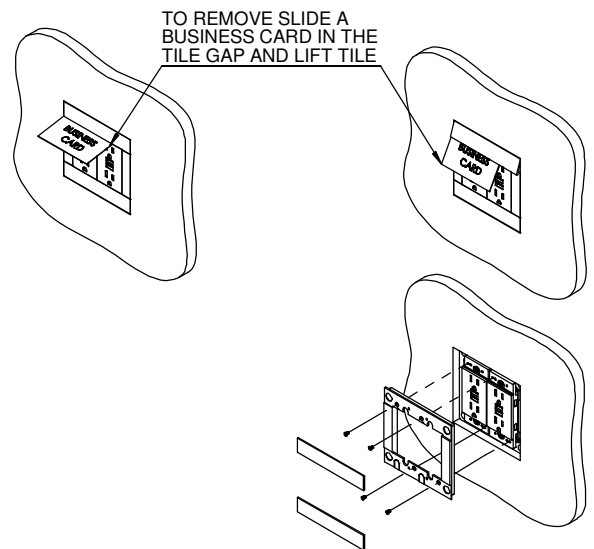
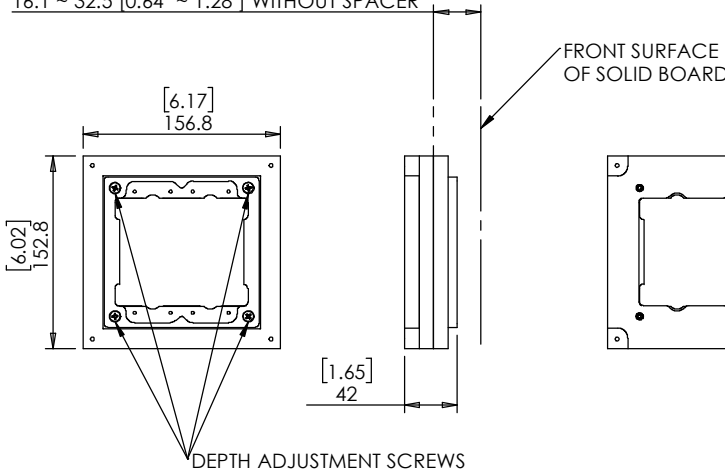
- Flush with the solid surface wall.
- Allows easy insertion and removal of the devices.
- Wall mount contains depth calibration mechanism and spacer allowing installation in solid surface boards of 4.5 [0.18"] up to 32.5 [1.28"] thickness.
- See page 2 for routing dimensions.
- Designed for the use with HORIZON HZA-PWR 2G by CRESTRON Electronics, Inc. ©. (frame, outlets and back box are not included).
  - Installation kit contains:
    1. (X1) Wall adapter
    2. (X1) Routing template
    3. (X4) ST3x40 screws
    4. (X4) #6x5/16" screws
    5. (X2) Installation spacer (M4 NUT)

**Key properties:**

- Dimensions (W/H/D): 156.8mm (4.36")/ 152.8mm (6.02")/ 42.0mm (1.65")
- Power Supply: None (manual adapter).
- Weight: 0.3Kg, 0.66lbs.
- Material: Moisture resistant MDF



SOLID BOARD THICKNESS RANGE:  
4.5 ~ 20.6 [0.18"~0.81"] WITH SPACER  
16.1 ~ 32.5 [0.64" ~ 1.28"] WITHOUT SPACER





Model: WS SB FOR CRESTRON HORIZON HZA-PWR 2G

Family: WALL-SMART

DWG NO. 012-04-786-SPC

Model No.: 012-1-786

PRODUCT SPEC.

REVISION A

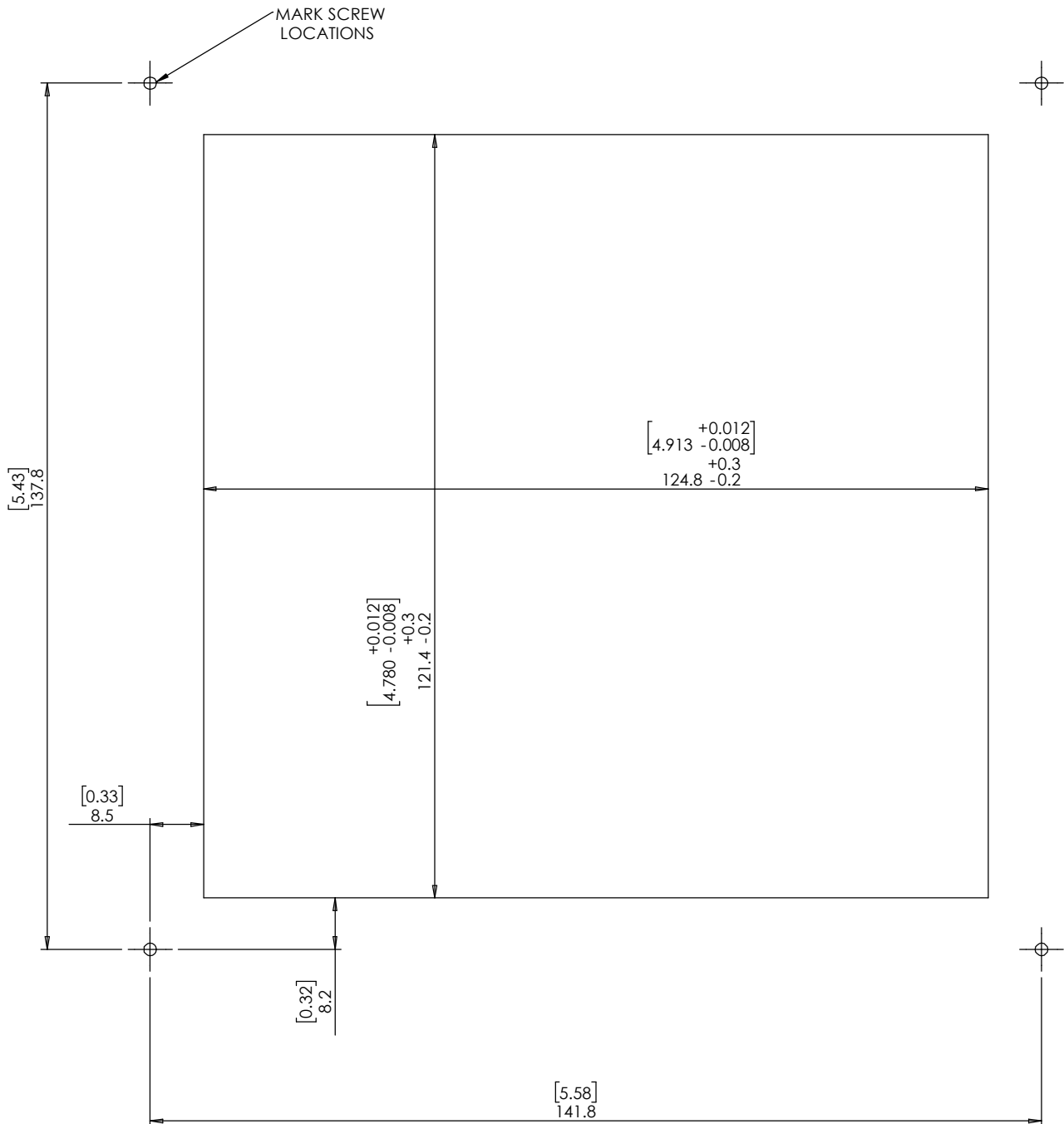
DATE 15/AUG/2021



# CUTOUT ROUTING TEMPLATE

012-1-786

SCALE 1:1



**PRINT THIS PAGE SCALE 1:1**