



Model: WS NC FOR EL-ITP-12-WH/BK

Family: WALL-SMART

DWG NO. 008-4-483-SPC



Model No.: 008-1-483

PRODUCT SPEC.

REVISION B

DATE 23/MAY/2019

Make Your Wall Smart

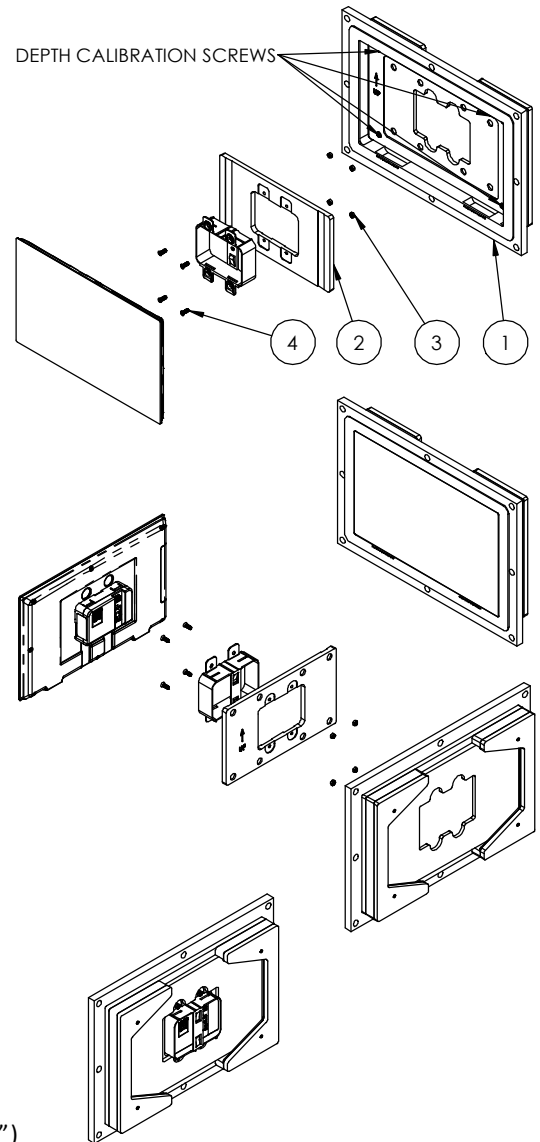
WS NC FOR EL-ITP-12-WH/BK - Product description:

The "WS NC FOR EL-ITP-12-WH/BK" is an adapter for in-wall flush installation of an EL-ITP-12-WH/BK touch panel.

The "WS NC FOR EL-ITP-12-WH/BK" firmly mounts the touch panel while allowing easy access, insertion and removal.

Key features and benefits:

- Flush with the wall.
- Paintable with the wall paint in any color and texture.
- Allows easy insertion and removal of the screen by manual push and magnet detachment of the touch screen adapter.
- The adapter is supplied unpainted (To be painted after installation as part of the wall).
- Includes depth calibration mechanism.
- Designed to be installed in 1/2" drywall. Installation of the Wall-Smart adapter is straight-forward. Installation process is similar to drywall construction procedures. Before installation, read Wall-Smart installation instruction 10-04-00101-INS in <http://www.wall-smart.com/faq>
- For installation in concrete/block wall use "WS CONCRETE BOX 369X255" P/N 100-1-502 (sold separately) according installation instruction 10-04-00103-INS in <http://www.wall-smart.com/faq>
- Designed for the use with EL-ITP-12-WH/BK touch panel (by ELAN) (Touch panel not included).
- Adapter kit contains:
 1. (X1) Wall adapter;
 2. (X1) Touch panel adapter
 3. (X4) M4 nuts
 4. (X4) M4X12 SCREWS



Key properties:

- Dimensions (W/H/D): 268.3mm (14.5")/ 254mm (10")/ 46.2mm (1.82")
- Power Supply: None (manual adapter).
- Weight: 0.95Kg, 2.1lbs.
- Material: Moisture resistant MDF (compliant with TSCA Title VI)
- To be installed in 1/2" drywall (for installation in 5/8" drywall use 1/8" shim pack P/N 10-01-067 (sold separately)).

