



Model: WS RF FOR C4 T4 10  
BLACK/WHITE/UNPAINTED

Model No.: 007-1-850-BL/-WH/-WO

Family: WALL-SMART

DWG NO. 007-4-850-SPC

PRODUCT SPEC.

REVISION B

DATE 08/MAR/2022



**Make Your Wall Smart**

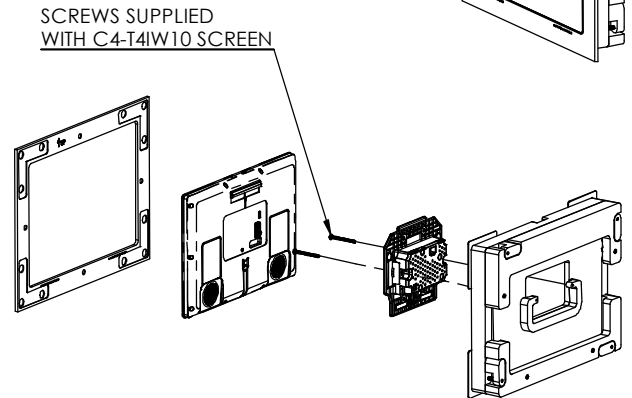
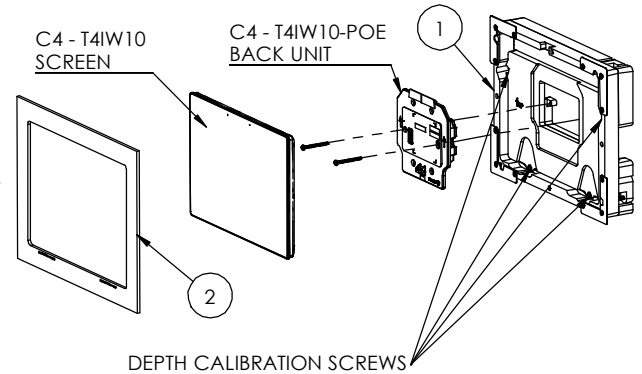
**“WS RETROFIT FOR C4 T4 10” BLACK/WHITE/UNPAINTED” -**

**Product description:**

The “WS RETROFIT FOR C4 T4 10” is an adapter for in-wall nearly flush retrofit installation of T4IW10 touch screen. The “WS RETROFIT FOR C4 T4 10” firmly mounts the touch screen while allowing easy insertion, removal and operation.

**Key features and benefits:**

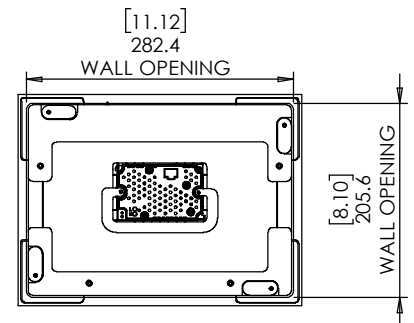
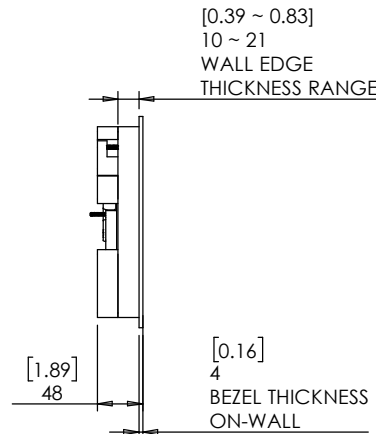
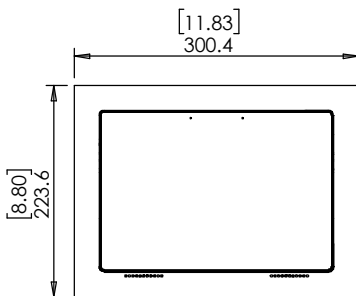
- Nearly flush with the wall (4mm [0.16"] thick on-wall bezel).
- Wall mount contains depth calibration screws.
- Board thickness 10mm[0.39"] up to 21mm[0.83"].  
For boards up to 32mm[1.25"] thick, reinstall cam latches upside down.
- Designed for POE power only.
- Does not require control4 back box.
- Designed for the use with C4-T4IW10-POE-BL/WH touch screen (by Control4) (touch screen is not included).
- Adapter kit contains:
  1. (X1) Wall adapter;
  2. (X1) Bezel;
- The bezel is supplied painted black (-BL), white (-WH) or unpainted (-WO).



**Key properties:**

- Dimensions: (W/H/D): 300.4mm (11.83")/ 223.6mm (8.80")/ 48mm (1.89")
- Weight: 1.0Kg, 2.2lbs.
- Material: Moisture resistant MDF

**BACK BOX NOT REQUIRED  
THIS WALL MOUNT DESIGNED  
FOR POE POWER ONLY!**





Model: WS RF FOR C4 T4 10  
BLACK/WHITE/UNPAINTED

Family: WALL-SMART

DWG NO. 007-4-850-SPC

Model No.: 007-1-850-BL/-WH/-WO

PRODUCT SPEC.

REVISION B

DATE 08/MAR/2022

