



Model: WS SB FOR C4 T4 10"

Model No.: 007-1-849

Family: WALL-SMART

DWG NO. 007-4-849-SPC

PRODUCT SPEC.

REVISION A

DATE 08/SEP./2020



Make Your Wall Smart

“WS SB FOR C4 T4 10” - Product description:

The “WS SB FOR C4 T4 10” is an adapter for in-wall flush installation of a Control4 T4IW10 touch screen in solid board walls.

The “WS SB FOR C4 T4 10” firmly mounts the touch screen while allowing easy insertion, removal and operation.

FOR LOW VOLTAGE (POE) ONLY

Key features and benefits:

- Flush with the solid surface wall.
- Wall mount may be mounted in any orientation.
- Allows easy insertion and removal of the touch screen.
- Wall mount contains depth calibration mechanism and spacer allowing installation in solid surface boards of 7.5 [0.29"] up to 33.5 [1.32"] thickness.
- See page 2 for routing dimensions.
- Designed for the use with T4IW10 touch screen by Control 4(touch screen is not included).
- Adapter kit contains:
 1. (X1) Wall adapter
 2. (X1) Spacer
 3. (X4) ST3x40 screws

Key properties:

- Dimensions: (W/H/D): 279.8mm (11.01")/ 215mm (8.46")/ 37.8mm (1.49").
- Power Supply: None (manual adapter).
- Weight: 0.9Kg, 1.98lbs.
- Material: Moisture resistant MDF (compliant with TSCA Title VI).

DEPTH CALIBRATION SCREWS

C4-T4IW10 BACK UNIT

C4-T4IW10 SCREEN

SCREWS SUPPLIED WITH C4-T4IW10 SCREEN

FOR INSTALLATION IN BOARDS 7.5mm TO 22.1mm USE SPACER

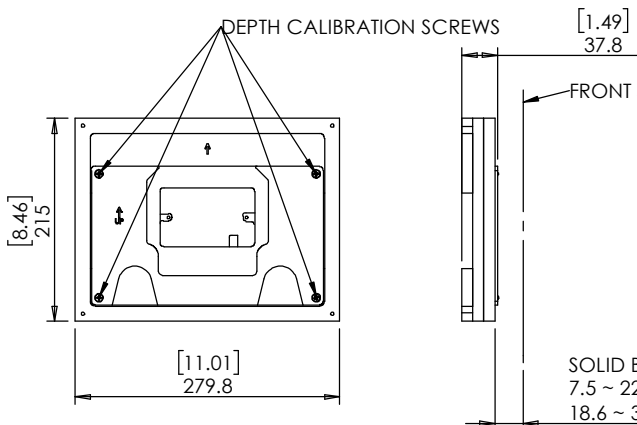
LINE VOLTAGE CONNECTOR IS BLOCKED

THIS WALL MOUNT DESIGNED FOR POE POWER ONLY!

C4-NWB57C-P BACK BOX NOT REQUIRED

HANG THE SCREEN ON THE BACK UNIT TOOTH AND DROP TO PLACE

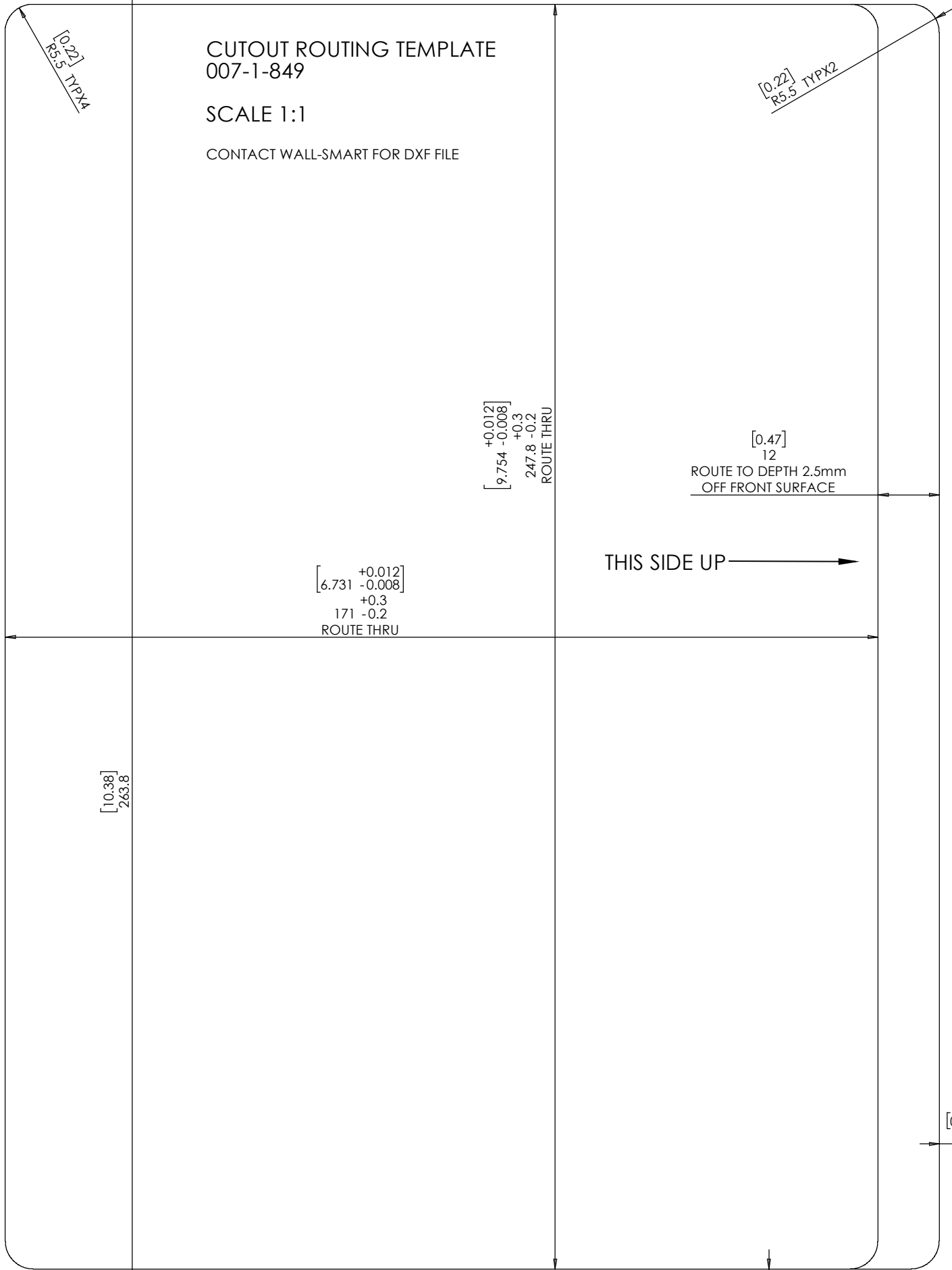
PUSH TO OPEN



SOLID BOARD THICKNESS RANGE:
7.5 ~ 22.1 [0.29"~0.87"] WITH SPACER
18.6 ~ 33.5 [0.73"~1.32"] WITHOUT SPACER

PRINT THIS PAGE 1:1 SCALE

MARK SCREW LOCATIONS



CUTOUT ROUTING TEMPLATE
007-1-849

SCALE 1:1

CONTACT WALL-SMART FOR DXF FILE

[0.22]
R5.5 TYPx2

[0.22]
R5.5 TYPx4

[9.754 -0.008]
+0.012
+0.3
247.8 -0.2
ROUTE THRU

[6.731 -0.008]
+0.012
+0.3
171 -0.2
ROUTE THRU

[0.47]
12
ROUTE TO DEPTH 2.5mm
OFF FRONT SURFACE

THIS SIDE UP →

[10.38]
263.8

[0.31]
8

[0.31]
8

[7.83]
199