



Model: WS RETROFIT V4 FOR C4 T3 10" LOW V
BLACK/WHITE/UNPAINTED

Model No.: 007-1-685-BL/-WH/-WO

Family: WALL-SMART

DWG NO. 007-4-685-SPC

PRODUCT SPEC.

REVISION B

DATE 8/JAN./2020



Make Your Wall Smart

"WS RETROFIT V3 FOR C4 T3 10" BLACK/WHITE/UNPAINTED" - Product description:

The "WS RETROFIT V4 FOR C4 T3 10" LOW V" is an adapter for in-wall nearly flush retrofit installation of C4-WALL10- touch screen.

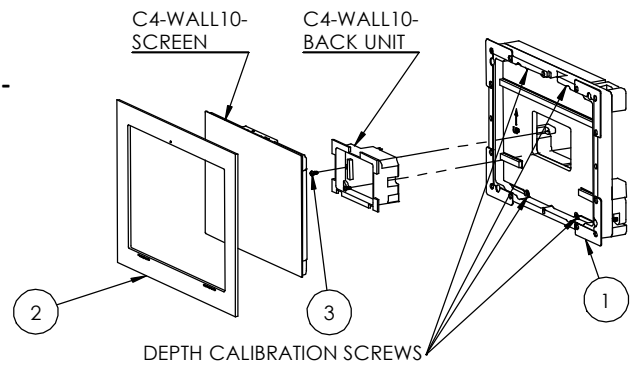
The "WS RETROFIT V4 FOR C4 T3 10" LOW V" securely mounts the touch screen while allowing easy insertion, removal and operation.

Key features and benefits:

- Nearly flush with the wall (4mm [0.16"] thick on-wall bezel).
- Wall mount contains depth calibration screws.
- Wall board thickness 10mm[0.39"] up to 21mm[0.83"]. For boards up to 32mm[1.25"] thick, reinstall cam latches upside down.
- Designed for POE power only.
- Line voltage connector is blocked.
- Does not require control4 back box.
- Designed for the use with C4-WALL10- touch screen (by Control 4) (touch screen is not included).
- Adapter kit contains:
 1. (X1) Wall adapter;
 2. (X1) Bezel;
 3. (X2) Screws;
- The bezel is supplied painted black (-BL), white (-WH) or unpainted (-WO).

Key properties:

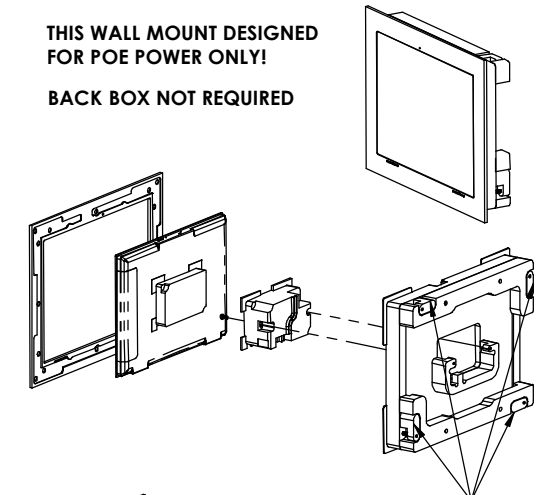
- Dimensions: (W/H/D): 297.4mm (11.71")/ 224mm (8.8")/ 47mm (1.85")
- Weight: 2.6Kg, 5.72lbs.
- Material: Moisture resistant MDF



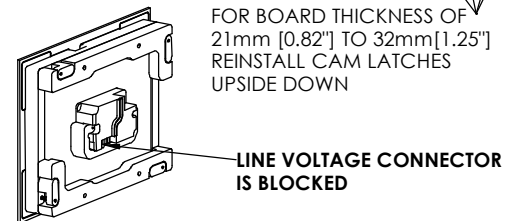
DEPTH CALIBRATION SCREWS

THIS WALL MOUNT DESIGNED FOR POE POWER ONLY!

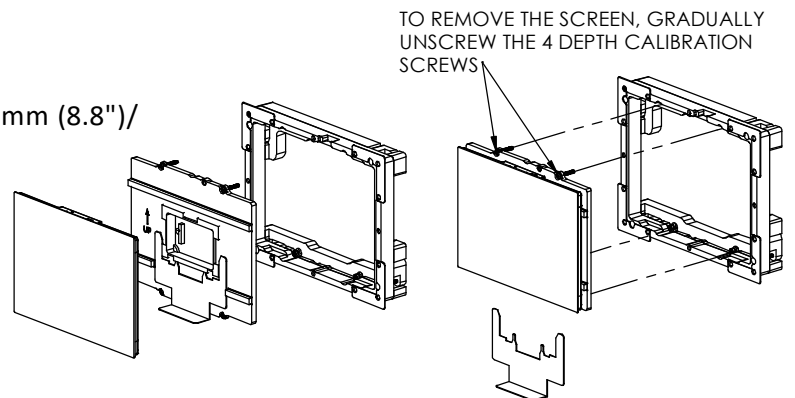
BACK BOX NOT REQUIRED



FOR BOARD THICKNESS OF 21mm [0.82"] TO 32mm [1.25"] REINSTALL CAM LATCHES UPSIDE DOWN



LINE VOLTAGE CONNECTOR IS BLOCKED



TO REMOVE THE SCREEN, GRADUALLY UNSCREW THE 4 DEPTH CALIBRATION SCREWS

