



Model: WS NC FOR Control4 Contemporary Lighting square paintable

Family: WALL-SMART

DWG NO. 007-4-395-SPC



Model No.: 007-1-395

PRODUCT SPEC.

REVISION A

DATE 21/FEB/2022

Make Your Wall Smart

WS NC FOR Control4 Contemporary Lighting square paintable - Product description:

The “WS NC FOR Control4 Contemporary Lighting square paintable” is an adapter for in-wall flush installation of a Control4 Contemporary Lighting square devices.

The “WS NC FOR Control4 Contemporary Lighting square paintable” firmly mounts the device while allowing easy access, insertion and removal.

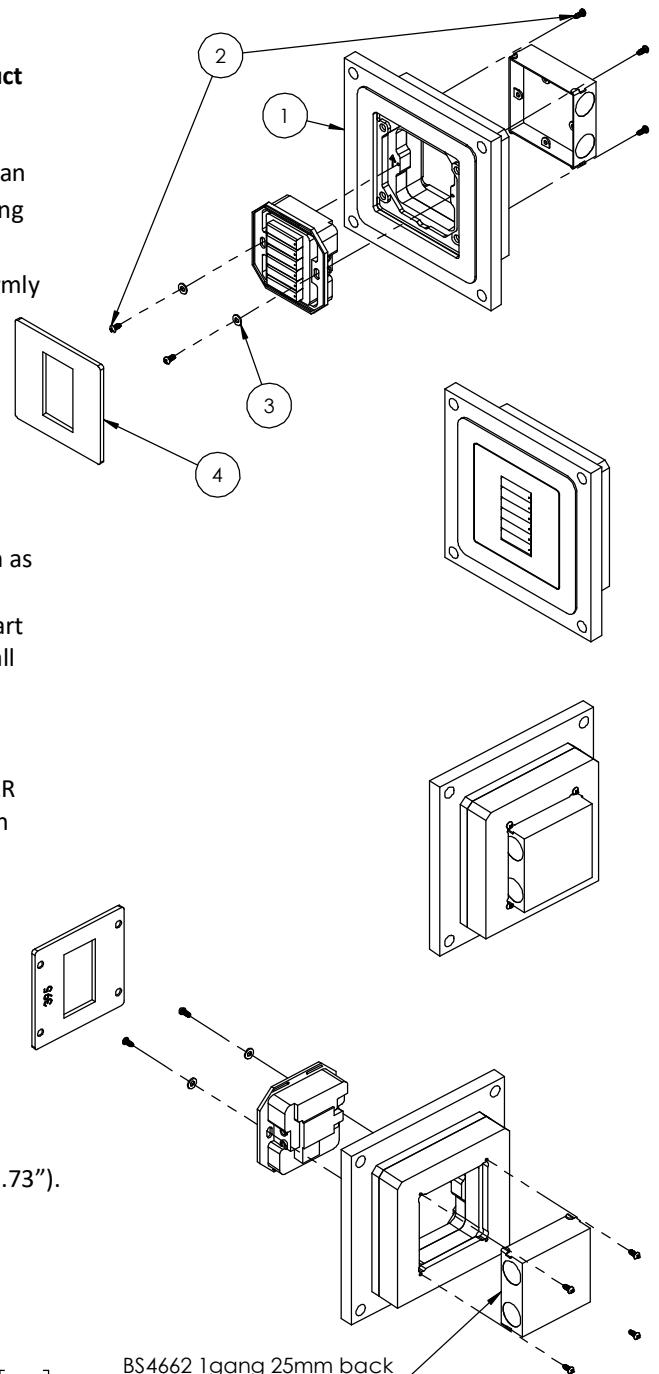
Key features and benefits:

- Keypad installed with Wall-Smart paintable faceplate.
- Flush with the wall.
- Paintable with the wall paint in any color and texture.
- The adapter is supplied unpainted (To be painted after installation as part of the wall).
- Designed to be installed in ½” drywall. Installation of the Wall-Smart adapter is straight-forward. Installation process is similar to drywall construction procedures. Before installation, read Wall-Smart installation instruction 10-04-00101-INS in <http://www.wall-smart.com/faq>
- For installation in concrete/brick wall use “WS CONCRETE ADAPTER 165X165” P/N 10-01-746 (sold separately) according to installation instruction 10-04-00103-INS in <http://www.wall-smart.com/faq>
- Designed for the use with Control4 Contemporary square Lighting keypad. (faceplate, devices and back box are not included)
- Adapter kit contains:

1. (X1) Wall adapter
2. (X6) #6x5/16 screws
3. (X2) M4 flat washer
4. (X1) Keypad faceplate

Key properties:

- Dimensions (W/H/D): 164mm (6.46")/ 164mm (6.46")/ 44.0mm (1.73").
- Power Supply: None (manual adapter).
- Weight: 0.5Kg, 1.1lbs.
- Material: Moisture resistant MDF (compliant with TSCA Title VI).



BS4662 1gang 25mm back Box (or equivalent)

