



Model: WS NC FOR Control4 Contemporary Lighting square

Family: WALL-SMART

DWG NO. 007-4-394-SPC



Model No.: 007-1-394

PRODUCT SPEC.

REVISION B

DATE 10/MAR/2022

**Make Your Wall Smart**

**WS NC FOR Control4 Contemporary Lighting square - Product description:**

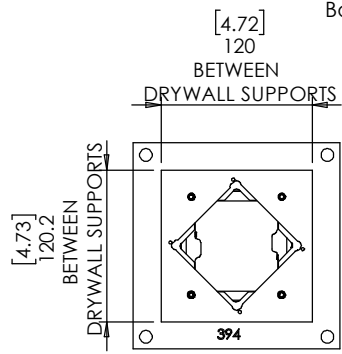
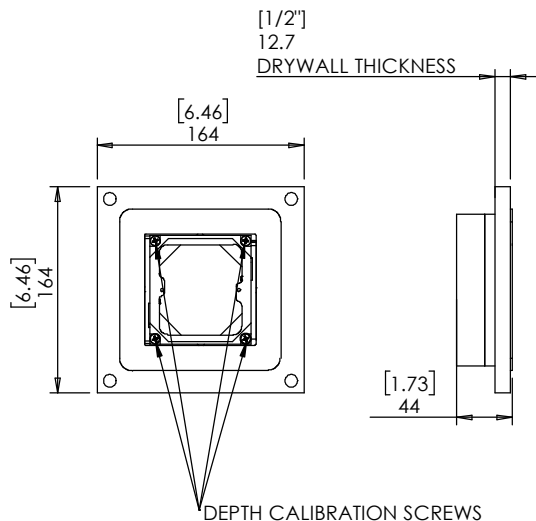
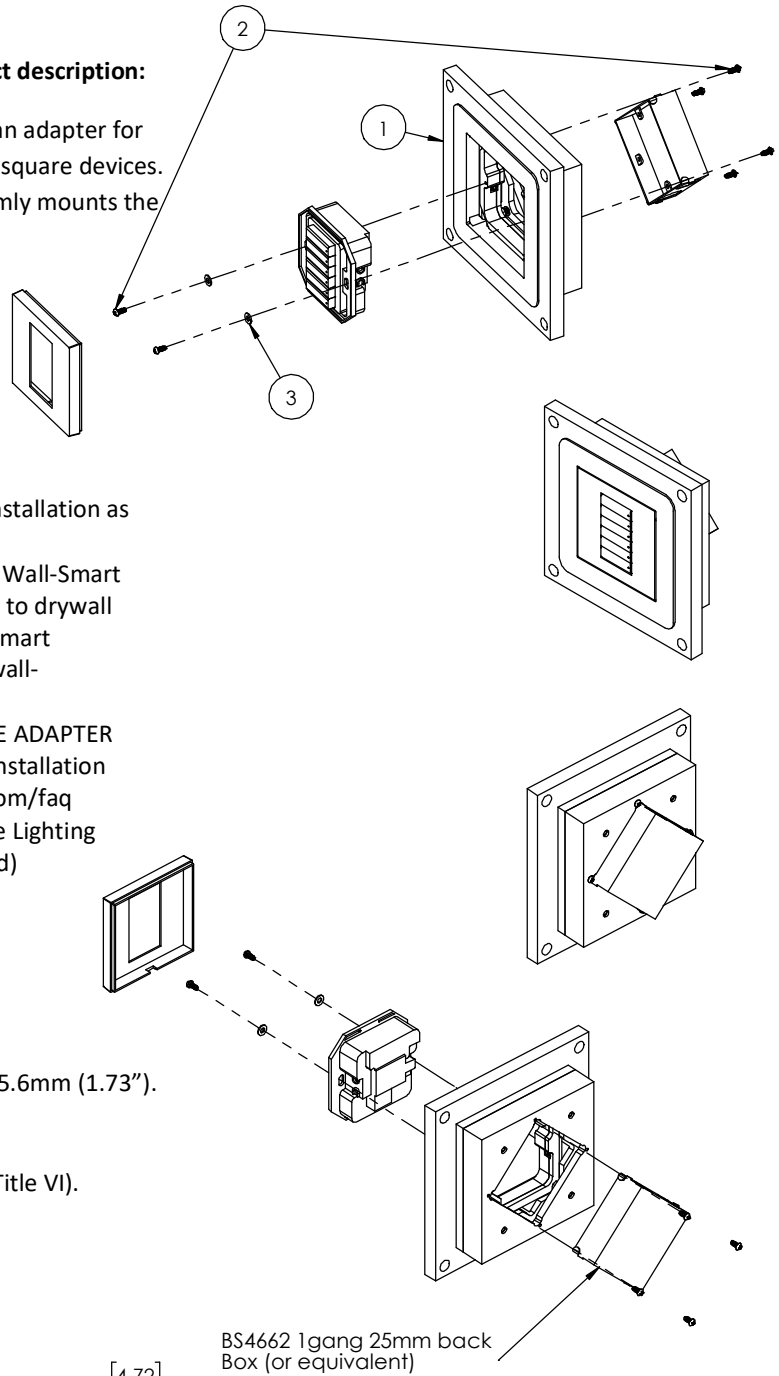
The “WS NC FOR Control4 Contemporary Lighting square” is an adapter for in-wall flush installation of a Control4 Contemporary Lighting square devices. The “WS NC FOR Control4 Contemporary Lighting square” firmly mounts the device while allowing easy access, insertion and removal.

**Key features and benefits:**

- Keypad installed with Control4 original faceplate.
- Flush with the wall.
- Paintable with the wall paint in any color and texture.
- Includes depth calibration mechanism.
- The adapter is supplied unpainted (To be painted after installation as part of the wall).
- Designed to be installed in 1/2" drywall. Installation of the Wall-Smart adapter is straight-forward. Installation process is similar to drywall construction procedures. Before installation, read Wall-Smart installation instruction 10-04-00101-INS in <http://www.wall-smart.com/faq>
- For installation in concrete/brick wall use “WS CONCRETE ADAPTER 165X165” P/N 10-01-746 (sold separately) according to installation instruction 10-04-00103-INS in <http://www.wall-smart.com/faq>
- Designed for the use with Control4 Contemporary square Lighting keypad. (faceplate, devices and back box are not included)
- Adapter kit contains:
  1. (X1) Wall adapter
  2. (X6) #6x5/16 screws
  3. (X2) M4 flat washer

**Key properties:**

- Dimensions (W/H/D): 164mm (6.46")/ 164mm (6.46")/ 55.6mm (1.73").
- Power Supply: None (manual adapter).
- Weight: 0.5Kg, 1.1lbs.
- Material: Moisture resistant MDF (compliant with TSCA Title VI).



TO OPEN THE FACEPLATE, INSERT AND PUSH A THIN PLASTIC CARD INTO THE VERTICAL GAP ON THE BOTTOM RIGHT OR ON THE TOP LEFT CORNERS

