



Model: WS SB V2 FOR C4 T3 10"

Model No.: 007-1-495

Family: WALL-SMART

DWG NO. 007-04-495-SPC

PRODUCT SPEC.

REVISION A

DATE 22/SEPT./2019



Make Your Wall Smart

"WS SB V2 FOR C4 T3 10"" - Product description:

The "WS SB V2 FOR C4 T3 10"" is an adapter for in-wall flush installation of a C4-WALL10- touch screen in solid board walls.

The "WS SB V2 FOR C4 T3 10"" firmly mounts the touch screen while allowing easy access, insertion and removal.

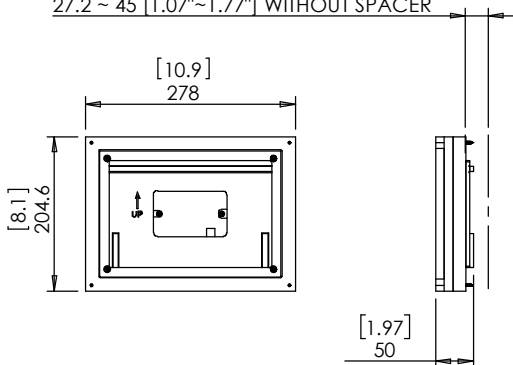
Key features and benefits:

- Flush with the wall.
- Allows easy insertion and removal of the touch screen.
- This wall mount DOES NOT include audio grills for intercom.
- Designed to be installed in 10.6 ~ 45mm (0.417" ~ 1.77") thick solid boards.
- Installation adapter contains depth adjustment mechanism.
- Installation kit contain:
 - X1 installation adapter (item #1)
 - X1 touch screen adapter (item #2)
 - X2 ST4x8 screw (item #3)
 - X1 routing template (item #4)
 - X4 ST3x40 screws (item #5)
- Designed for C4-WALL10- touch screen (by Control4) (Touch screen not included).

Key properties:

- Dimensions (W/H/D): 278mm (10.9")/ 204.6mm (6.3")/ 50mm (1.97")
- Power Supply: None (manual adapter).
- Weight: 1.2Kg, 2.64lbs.
- Material: Moisture resistant MDF

SOLID BOARD THICKNESS RANGE:
 10.6 ~ 28.4 [0.417"~1.12"] WITH SPACER
 27.2 ~ 45 [1.07"~1.77"] WITHOUT SPACER

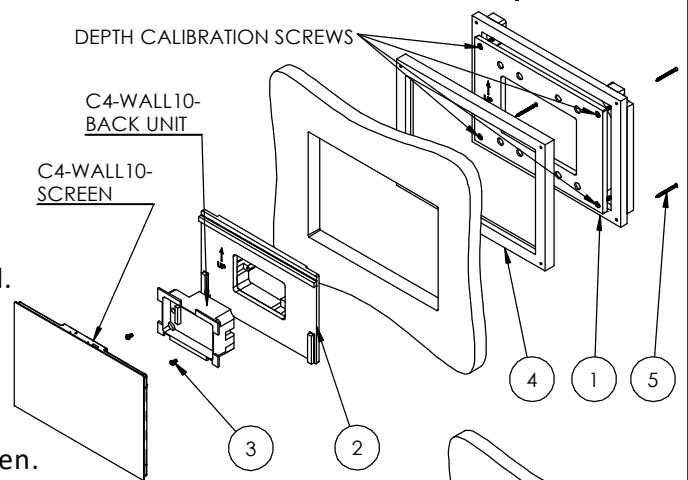


C4-NWB57C-P
BACK BOX NOT REQUIRED

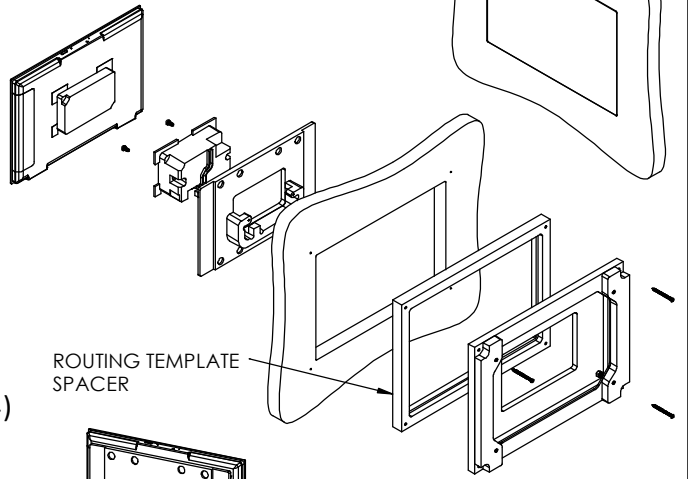
DEPTH CALIBRATION SCREWS

C4-WALL10-
BACK UNIT

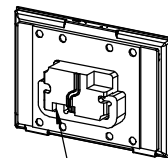
C4-WALL10-
SCREEN



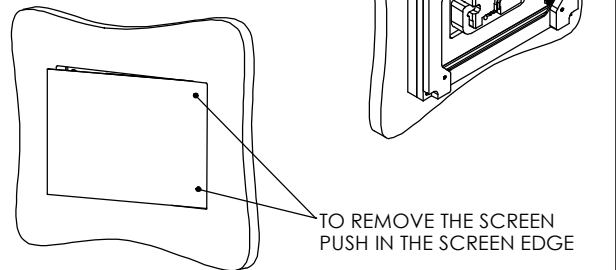
THIS WALL MOUNT DESIGNED FOR POE POWER ONLY!



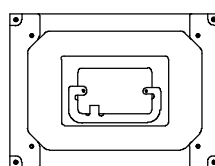
ROUTING TEMPLATE SPACER



LINE VOLTAGE CONNECTOR IS BLOCKED

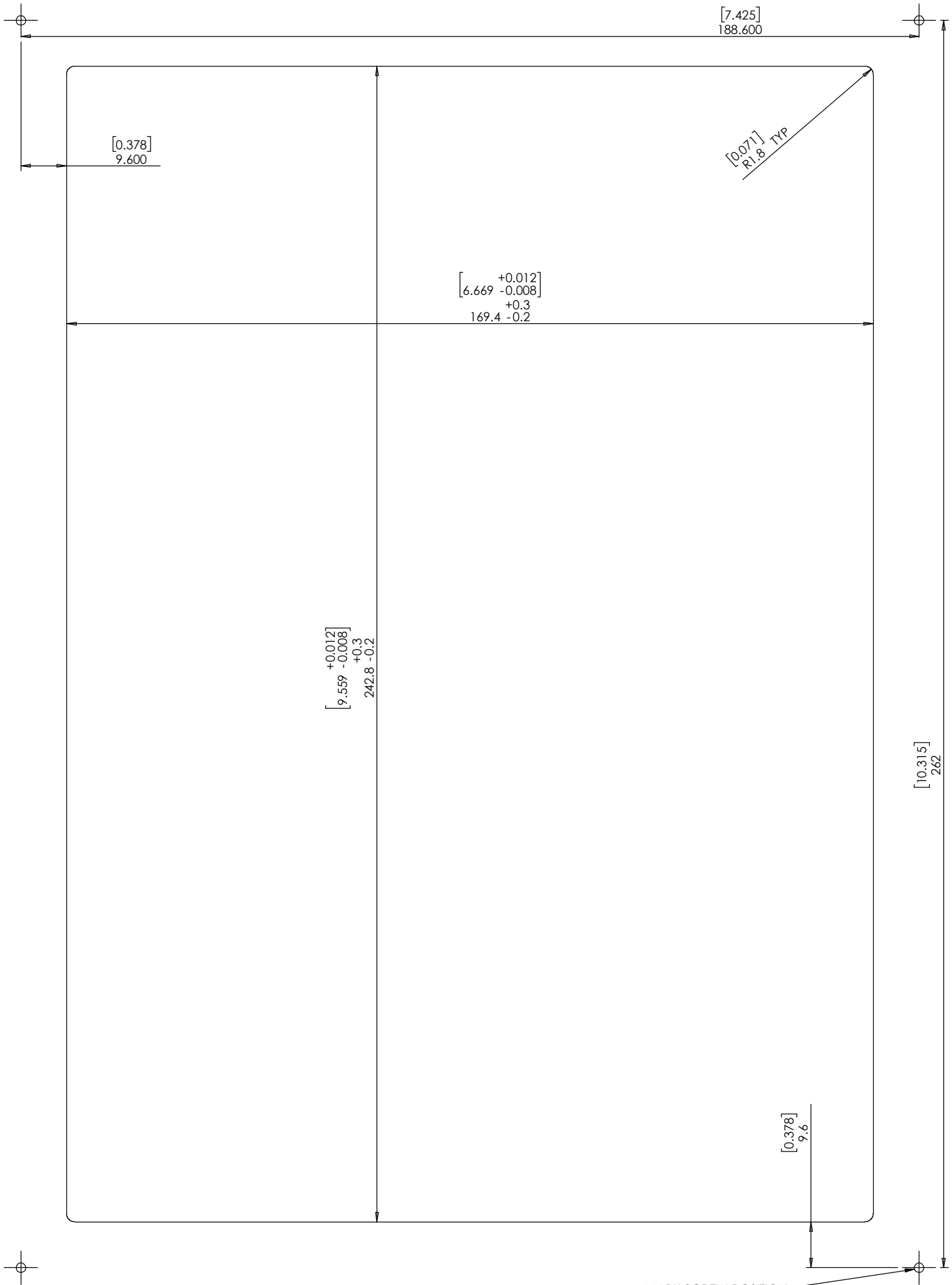


TO REMOVE THE SCREEN PUSH IN THE SCREEN EDGE



TO DETACH SCREEN USE CONTROL4 TOOL

ROUTING TEMPLATE



MARK SCREW POSITION