



Model: WS SB V2 FOR C4 T3 7"

Model No.: 007-1-494

Family: WALL-SMART

DWG NO. 007-04-494-SPC

PRODUCT SPEC.

REVISION A

DATE 22/SEPT./2019



Make Your Wall Smart

“WS SB V2 FOR C4 T3 7” - Product description:

The “WS SB V2 FOR C4 T3 7” is an adapter for in-wall flush installation of a C4-WALL7- touch screen in solid board walls.

The “WS SB V2 FOR C4 T3 7” firmly mounts the touch screen while allowing easy access, insertion and removal.

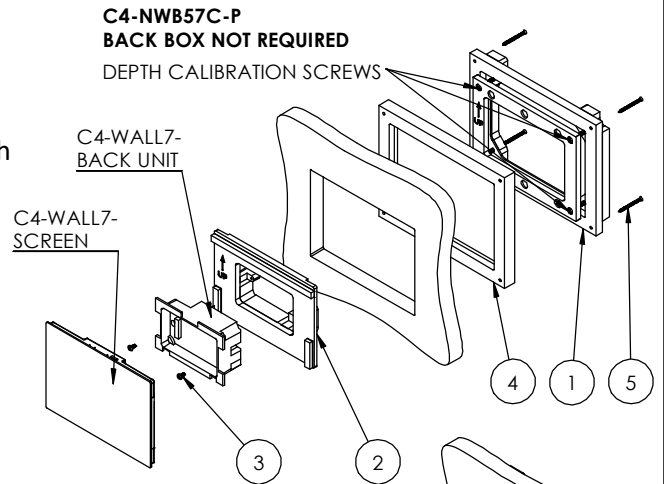
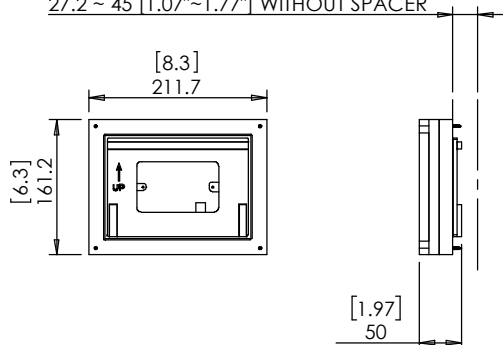
Key features and benefits:

- Flush with the wall.
- Allows easy insertion and removal of the touch screen.
- This wall mount DOES NOT include audio grills for intercom.
- Designed to be installed in 10.6 ~ 45mm (0.417” ~ 1.77”) thick solid boards.
- Installation adapter contains depth adjustment mechanism.
- Installation kit contain:
 - X1 installation adapter (item #1)
 - X1 touch screen adapter (item #2)
 - X2 ST4x8 screw (item #3)
 - X1 routing template (item #4)
 - X4 ST3x40 screws (item #5)
- Designed for C4-WALL7- touch screen (by Control4) (Touch screen not included).

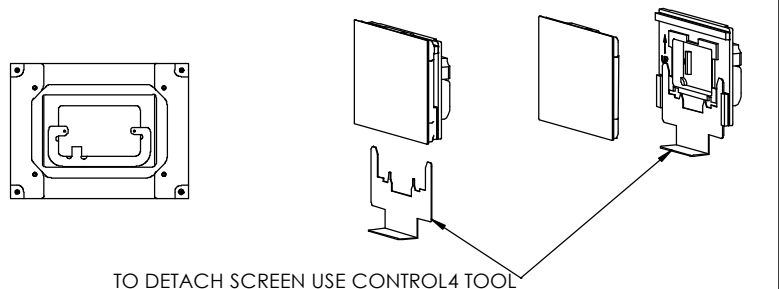
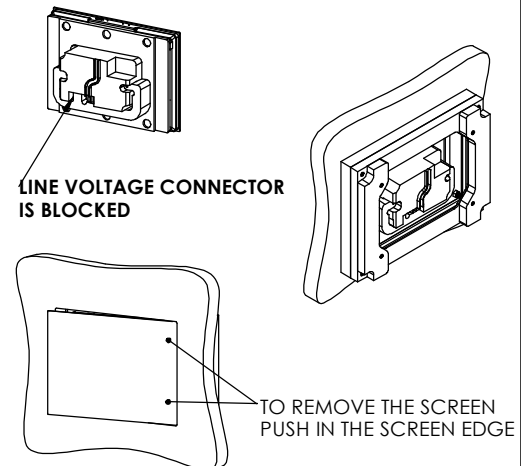
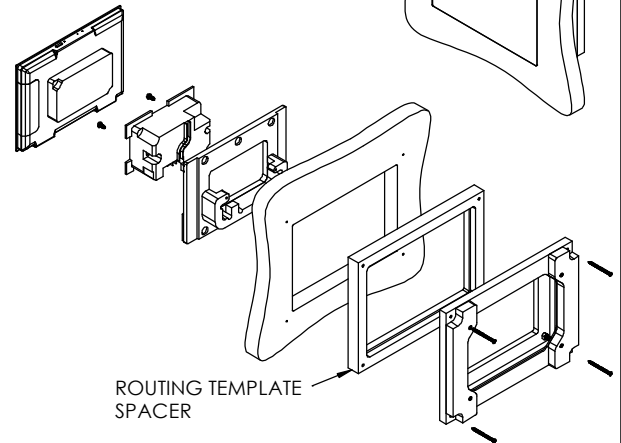
Key properties:

- Dimensions (W/H/D): 211.7mm (8.3”)/ 161.2mm (6.3”)/ 50mm (1.97”)
- Power Supply: None (manual adapter).
- Weight: 0.8Kg, 1.76lbs.
- Material: Moisture resistant MDF

SOLID BOARD THICKNESS RANGE:
 10.6 ~ 28.4 [0.417”~1.12”] WITH SPACER
 27.2 ~ 45 [1.07”~1.77”] WITHOUT SPACER



THIS WALL MOUNT DESIGNED FOR POE POWER ONLY!





Model: WS SB V2 FOR C4 T3 7"

Family: WALL-SMART

DWG NO. 007-04-494-SPC

Model No.: 007-1-494

PRODUCT SPEC.

REVISION A

DATE 22/SEPT./2019



ROUTING TEMPLATE

