



Model: WS NC V2 FOR C4 T3 10"

Model No.: 007-1-491

Family: WALL-SMART

DWG NO. 007-04-491-SPC

PRODUCT SPEC.

REVISION A

DATE 22/Feb./2019



Make Your Wall Smart

"WS NC V2 FOR C4 T3 10" - Product description:

The "WS NC V2 FOR C4 T3 10" is an adapter for in-wall flush installation of T3 Control 4 10" touch screen. The "WS NC V2 FOR C4 T3 10" firmly mounts the touch screen while allowing easy access, insertion and operation.

FOR LOW VOLTAGE (POE) ONLY

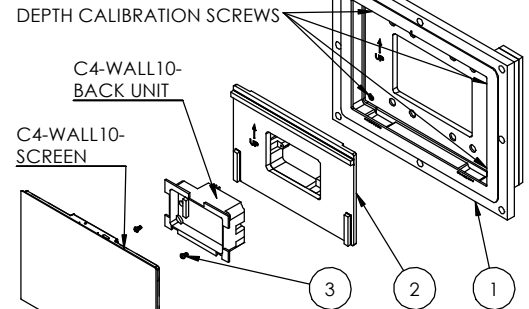
Key features and benefits:

- Flush with the wall.
- Paintable with the wall paint in any color and texture.
- Allows easy insertion and removal of the touch screen.
- The adapter is supplied unpainted (To be painted after installation as part of the wall).
- Designed to be installed in 1/2" drywall. Installation of the Wall-Smart adapter is straight-forward. Installation process is similar to drywall construction procedures. Before installation, read Wall-Smart installation instruction 10-04-00101-INS in <http://www.wall-smart.com/faq>
- For installation in concrete/block wall use "CONCRETE ADAPTOR 491" P/N 100-1-493 (sold separately) according installation instruction 10-04-00103-INS in <http://www.wall-smart.com/faq>
- Designed for the use with C4-WALL10- touch screen (by Control4)
- Adapter kit contains:
 1. Wall adapter;
 2. Screen adapter;
 3. (X2) #6x5/16" screws;

Key properties:

- Dimensions (W/H/D): 312.4mm (12.5")/ 238.8mm (9.4")/ 51.6mm (2.03")
- Power Supply: None (manual adapter).
- Weight: 1.1Kg, 2.42lbs.
- Material: Moisture resistant MDF
- To be installed in 1/2" drywall (for installation in 5/8" drywall use 1/8" shim pack P/N 10-01-067 (sold separately)).

C4-NWB57C-P BACK BOX NOT REQUIRED



THIS WALL MOUNT DESIGNED FOR POE POWER ONLY!

