



Model: WS NC FOR RING ALARM MOTION DETECTOR

Model No.: 005-1-996

Family: WALL-SMART

DWG NO. 005-4-996-SPC

PRODUCT SPEC.

REVISION A

DATE 20/Aug/2024



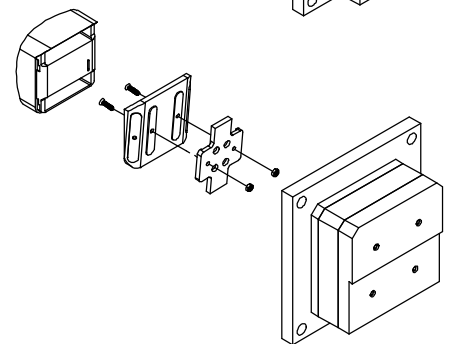
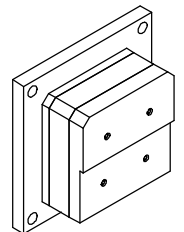
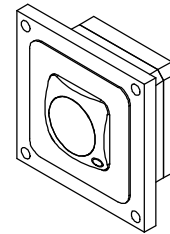
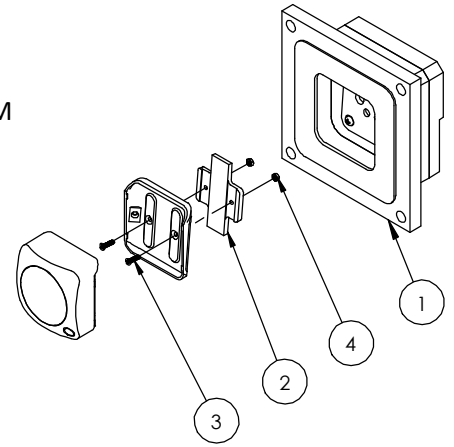
**Make Your Wall Smart**

**“WS NC FOR RING ALARM MOTION DETECTOR” - Product description:**

The “WS NC FOR RING ALARM MOTION DETECTOR” is an adapter for in-wall flush installation of Ring alarm motion detector. The “WS NC FOR RING ALARM MOTION DETECTOR” firmly mounts the alarm motion detector while allowing easy access, insertion and operation.

**Key features and benefits:**

- Flush with the wall.
- Paintable with the wall paint in any color and texture.
- Includes depth calibration mechanism.
- Allows easy insertion and removal of the alarm motion detector.
- The adapter is supplied unpainted (To be painted after installation as part of the wall).
- Designed to be installed in ½” drywall. Installation of the Wall-Smart adapter is straight-forward. Installation process is similar to drywall construction procedures. Before installation, read Wall-Smart installation instruction 10-04-00101-INS in <http://www.wall-smart.com/faq>
- Designed for the use with Ring alarm motion detector. (Ring alarm motion detector is not included).
- Adapter kit contains:
  1. Wall adapter (X1)
  2. alarm motion detector adapter (X1)
  3. M3x12 Flat screws (X2)
  4. M3 nuts (X2)



**Key properties:**

- Dimensions (W/H/D): 143.5mm (5.65")/ 143.5mm (5.65")/ 59.9mm (2.36")
- Power Supply: None (manual adapter).
- Weight: 0.5Kg, 1.1lbs.
- Material: Moisture resistant MDF (compliant with TSCA Title VI).
- To be installed in ½” drywall (for installation in 5/8” drywall use 1/8” shim pack P/N 10-01-067 (sold separately)).

