



Model: WS RF FOR RING ALARM KEYPAD 2ND GEN

Model No.: 005-1-995

Family: WALL-SMART

DWG NO. 005-4-995-SPC

PRODUCT SPEC.

REVISION A

DATE 20/Aug/2024



### Make Your Wall Smart

### “WS RF FOR RING ALARM KEYPAD 2ND GEN” - Product description:

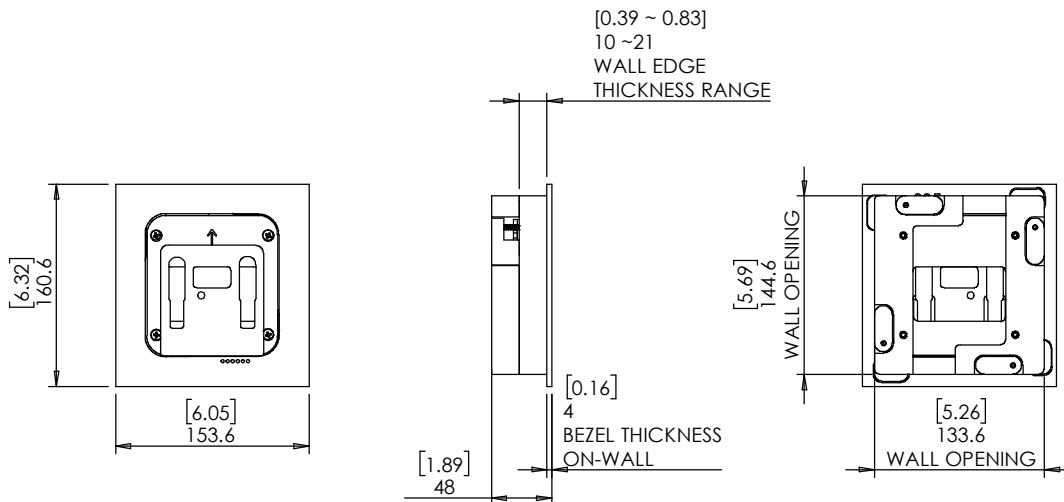
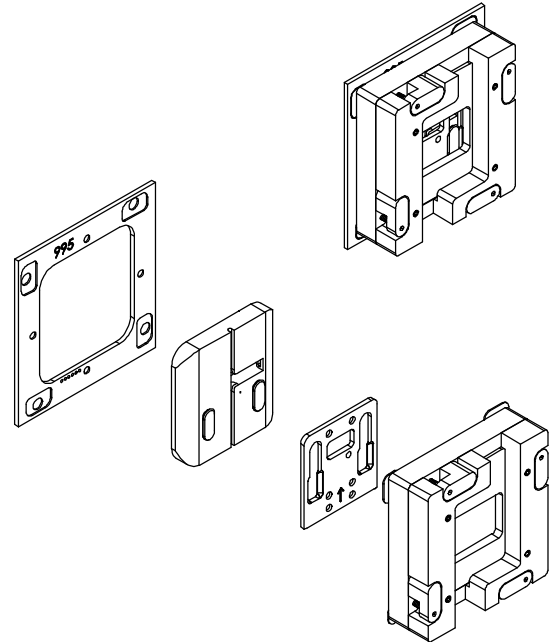
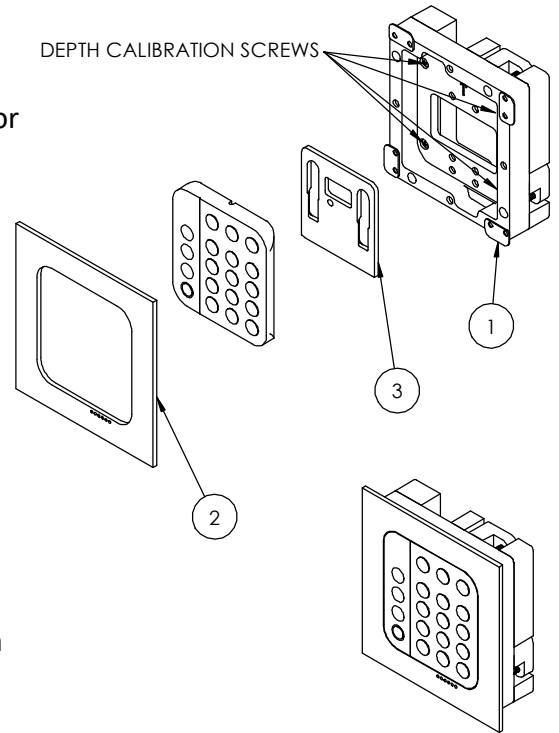
The “WS RF FOR RING ALARM KEYPAD 2ND GEN” is an adapter for in-wall nearly flush retrofit installation of Ring alarm keypad 2nd gen. The “WS RF FOR RING ALARM KEYPAD 2ND GEN” firmly mounts the alarm keypad while allowing easy insertion,removal and operation.

### Key features and benefits:

- Nearly flush with the wall (4mm [0.16"] thick on-wall bezel).
- Wall mount contains depth calibration screws.
- Board thickness 10mm[0.39"] up to 21mm[0.83"].  
For boards up to 32mm[1.25"] thick, reinstall cam latches upside down.
- Designed for the use Ring alarm keypad 2nd gen (Ring alarm keypad is not included).
- The bezel is supplied painted white.
- Adapter kit contains:
  1. Wall adapter (X1)
  2. Bezel (X1)
  3. Screen adapter (X1)

### Key properties:

- Dimensions: (W/H/D): 153.6mm (6.05")/ 160.6mm (6.32")/ 48mm (1.89")
- Weight: 0.6Kg, 1.32lbs.
- Material: Moisture resistant MDF F (compliant with TSCA Title VI)





Model: WS RF FOR RING ALARM KEYPAD  
2ND GEN

Model No.: 005-1-995

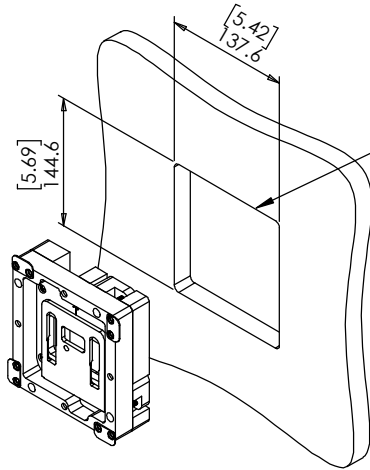
Family: WALL-SMART

DWG NO. 005-4-995-SPC

PRODUCT SPEC.

REVISION A

DATE 20/Aug/2024

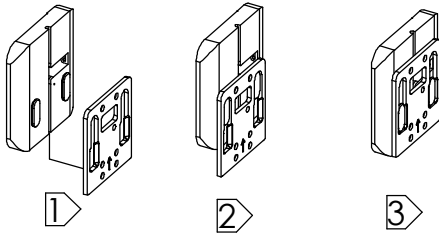


1. CUT OPENING - BOARD THICKNESS 10mm [0.39"]  
UP TO 21mm [0.83"] (FOR BOARDS UP TO  
32mm [1.25"] THICK, REINSTALL CAM LATCHES  
UPSIDE DOWN.

2. INSERT WALL MOUNT BASE

3. GENTLY SCREW CLOCKWISE 4  
RETENTION SCREWS UNTIL CAM  
LATCHES RETAIN THE UNIT

4. CONNECT THE ALARM KEYPAD TO THE ADAPTER  
PLATE AND INSERT TO THE MOUNT



6. ATTACH BEZEL  
(MAGNETICALLY)