



Model: WS SB FOR RING ALARM KEYPAD 2ND GEN

Model No.: 005-1-994

Family: WALL-SMART

DWG NO. 005-4-994-SPC

PRODUCT SPEC.

REVISION A

DATE 20/Aug/2024



Make Your Wall Smart

“WS SB FOR RING ALARM KEYPAD 2ND GEN” - Product description:

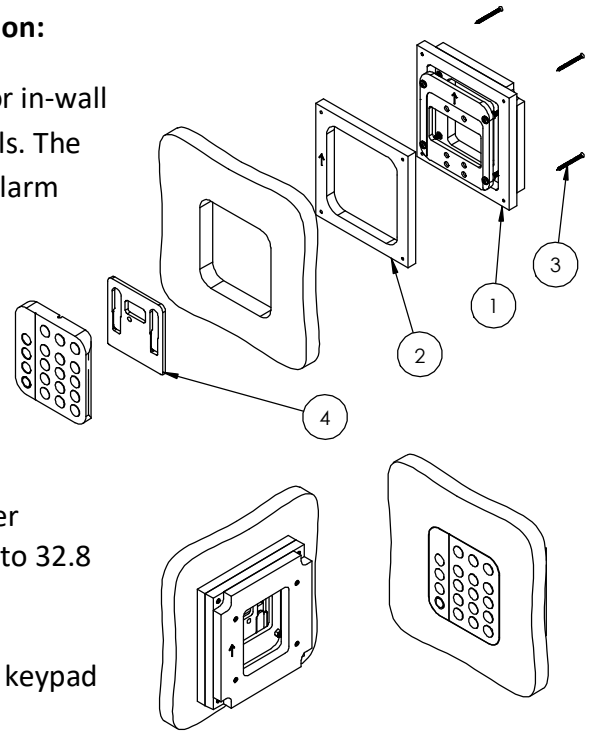
The “WS SB FOR RING ALARM KEYPAD 2ND GEN” is an adapter for in-wall flush installation of Ring alarm keypad 2nd gen in solid board walls. The “WS SB FOR RING ALARM KEYPAD 2ND GEN” firmly mounts the alarm keypad while allowing easy insertion, removal and operation.

Key features and benefits:

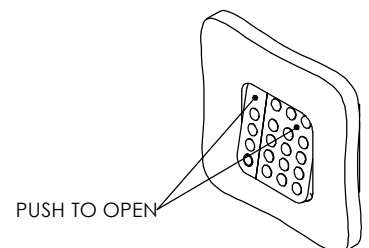
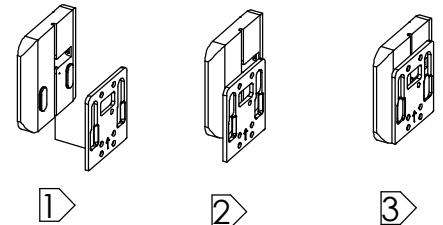
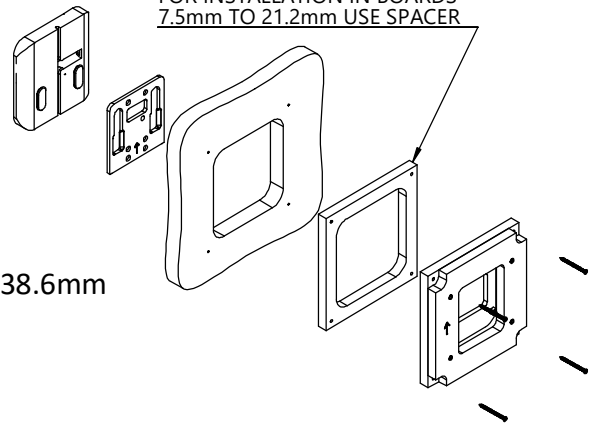
- Flush with the solid surface wall.
- Wall mount may be mounted in any orientation.
- Allows easy insertion and removal of the ring alarm keypad.
- Wall mount contains depth calibration mechanism and spacer allowing installation in solid surface boards of 7.5 [0.29"] up to 32.8 [1.29"] thickness.
- See page 2 for routing dimensions.
- Designed for the use Ring alarm keypad 2nd gen (Ring alarm keypad is not included).
- Adapter kit contains:
 1. Wall adapter (X1)
 2. Spacer (X1)
 3. ST3x40 screws (X4)
 4. Alarm keypad adapter (X1)

Key properties:

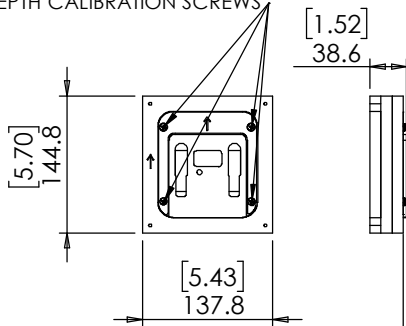
- Dimensions: (W/H/D): 137.8mm (5.43")/ 144.8mm (5.7")/ 38.6mm (1.52").
- Power Supply: None (manual adapter).
- Weight: 0.7Kg, 1.54lbs.
- Material: Moisture resistant MDF (compliant with TSCA Title VI).



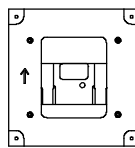
FOR INSTALLATION IN BOARDS 7.5mm TO 21.2mm USE SPACER



DEPTH CALIBRATION SCREWS



FRONT SURFACE OF SOLID BOARD



SOLID BOARD THICKNESS RANGE:
7.5 ~ 21.2 [0.29"~0.83"] WITH SPACER
19.1 ~ 32.8 [0.75"~1.29"] WITHOUT SPACER



Model: WS SB FOR RING ALARM
KEYPAD 2ND GEN

Model No.: 005-1-994

Family: WALL-SMART

DWG NO. 005-4-994-SPC

PRODUCT SPEC.

REVISION A

DATE 20/Aug/2024



CUTOUT ROUTING TEMPLATE
005-1-994

PRINT THIS PAGE 1:1 SCALE

SCALE 1:1

CONTACT WALL-SMART FOR DXF FILE

MARK SCREW LOCATIONS

