



Model: WS RF FOR RING ALARM BASE STATION 2ND GEN

Model No.: 005-1-992

Family: WALL-SMART

DWG NO. 005-4-992-SPC

PRODUCT SPEC.

REVISION A

DATE 19/Aug/2024



Make Your Wall Smart

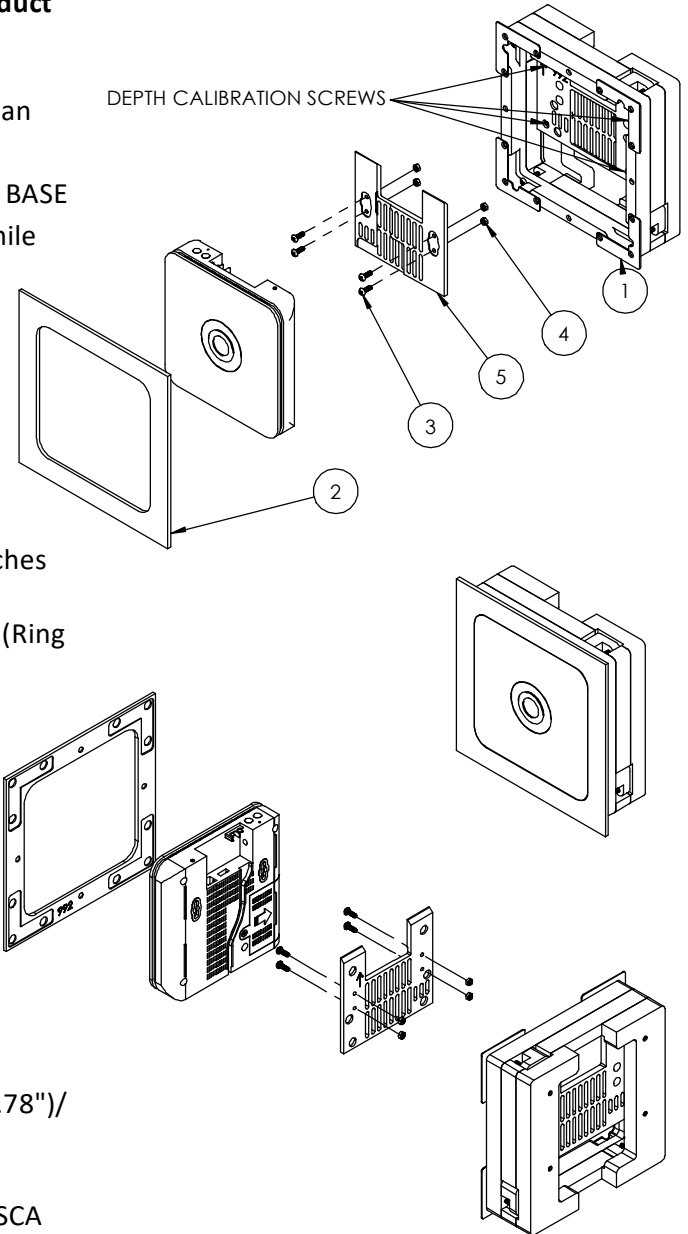
“WS RF FOR RING ALARM BASE STATION 2ND GEN” - Product description:

The “WS RF FOR RING ALARM BASE STATION 2ND GEN” is an adapter for in-wall nearly flush retrofit installation of Ring alarm base station 2nd gen. The “WS RF FOR RING ALARM BASE STATION 2ND GEN” firmly mounts the ring base station while allowing easy insertion, removal and operation.

Key features and benefits:

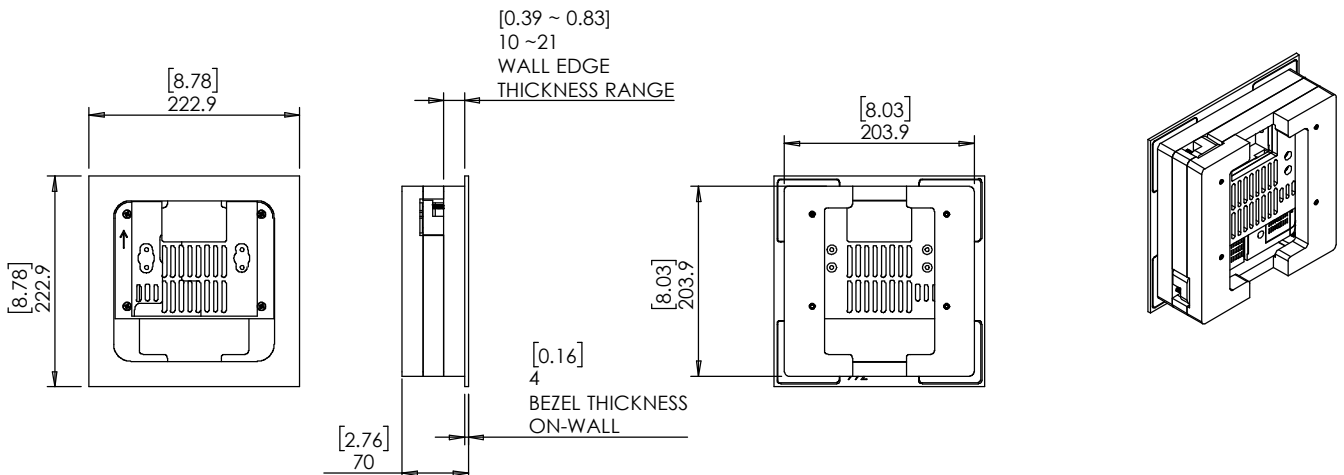
- Nearly flush with the wall (4mm [0.16"] thick on-wall bezel).
- Wall mount contains depth calibration screws.
- Board thickness 10mm[0.39"] up to 21mm[0.83"]. For boards up to 32mm[1.25"] thick, reinstall cam latches upside down.
- Designed for the use Ring alarm base station 2nd gen (Ring alarm base station is not included).
- The bezel is supplied painted white.
- Adapter kit contains:

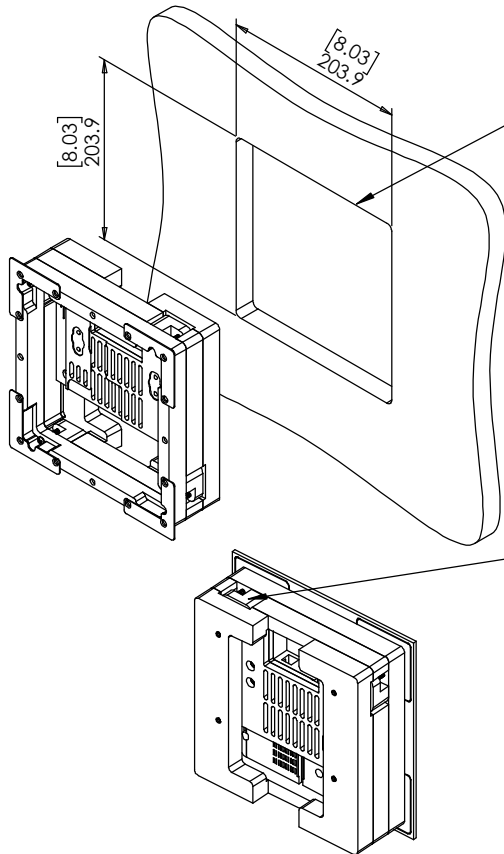
1. Wall adapter (X1)
2. Bezel (X1)
3. M4x12 Cap screws (X4)
4. M4 nuts (X4)
5. Base station adapter (X1)



Key properties:

- Dimensions: (W/H/D): 222.9mm (8.78")/ 222.9mm (8.78")/ 70mm (2.76")
- Weight: 0.85Kg, 1.87lbs.
- Material: Moisture resistant MDF F (compliant with TSCA Title VI)



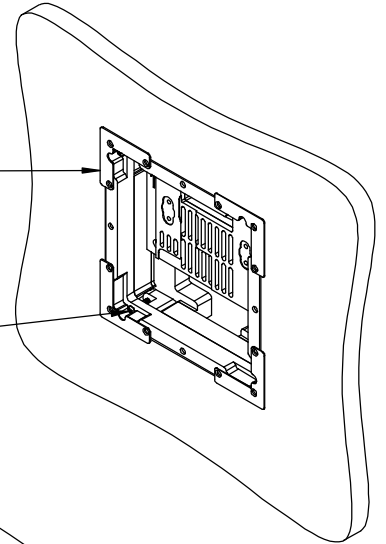


1. CUT OPENING - BOARD THICKNESS 10mm [0.39"] UP TO 21mm [0.83"] (FOR BOARDS UP TO 32mm [1.25"] THICK, REINSTALL CAM LATCHES UPSIDE DOWN.

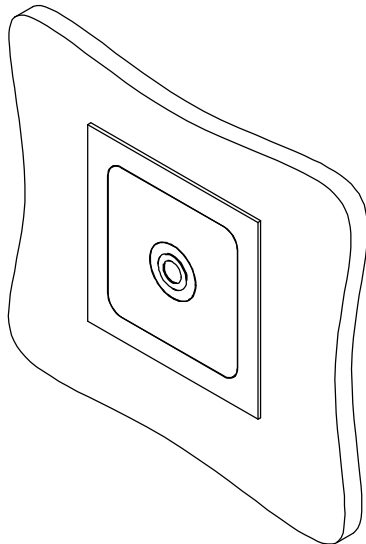
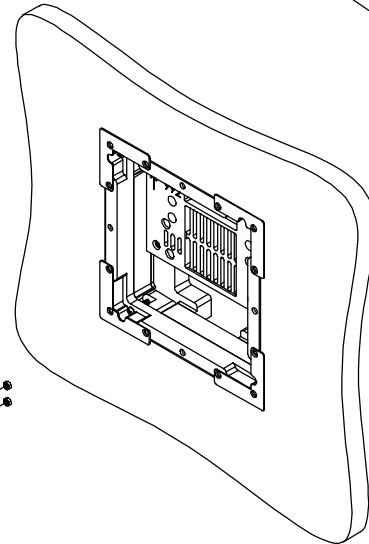
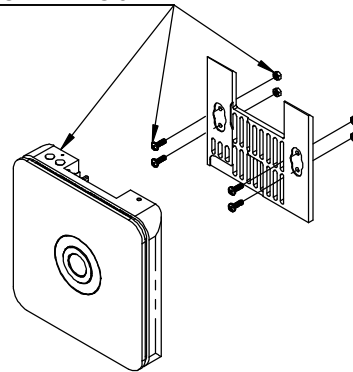
2. ROUTE NECESSARY CABLES

3. INSERT WALL MOUNT BASE

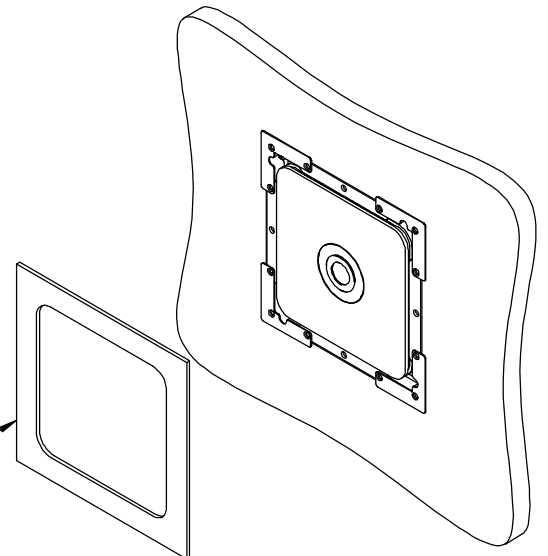
4. GENTLY SCREW CLOCKWISE 4 RETENTION SCREWS UNTIL CAM LATCHES RETAIN THE UNIT



5. CONNECT THE BASE STATION TO THE ADAPTER PLATE USING M4 SCREWS & NUTS AND INSERT TO THE MOUNT



6. ATTACH BEZEL (MAGNETICALLY)





Model: WS RF FOR RING ALARM BASE STATION
2ND GEN

Family: WALL-SMART

DWG NO. 005-4-992-SPC



Model No.: 005-1-992

PRODUCT SPEC.

REVISION A

DATE 19/Aug/2024

In case a POE SPLITTER required attach the splitter to the depth calibration plate using Hook and Loop fastening tape.
may use WALL-SMART ""Black Hook and Loop Fastening Tape 20mm X 1m"
SKU 20-03-014 (sold separately)

