



Model: WS SB FOR RING ALARM BASE STATION 2ND GEN

Model No.: 005-1-991

Family: WALL-SMART

DWG NO. 005-4-991-SPC

PRODUCT SPEC.

REVISION A

DATE 19/Aug/2024



Make Your Wall Smart

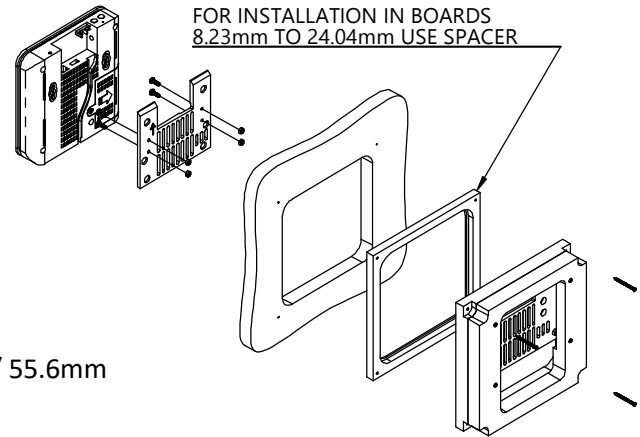
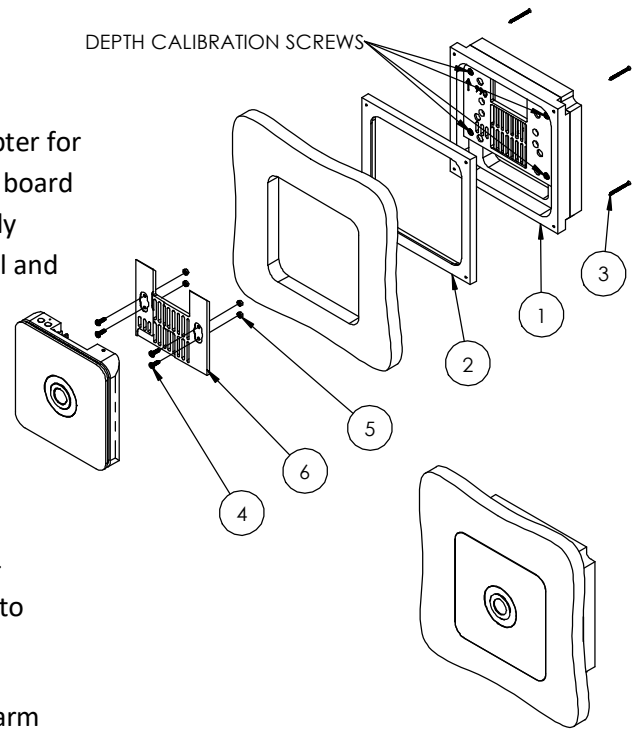
“WS SB FOR RING ALARM BASE STATION 2ND GEN” - Product description:

The “WS SB FOR RING ALARM BASE STATION 2ND GEN” is an adapter for in-wall flush installation of Ring alarm base station 2nd gen in solid board walls. The “WS SB FOR RING ALARM BASE STATION 2ND GEN” firmly mounts the ring base station while allowing easy insertion, removal and operation.

Key features and benefits:

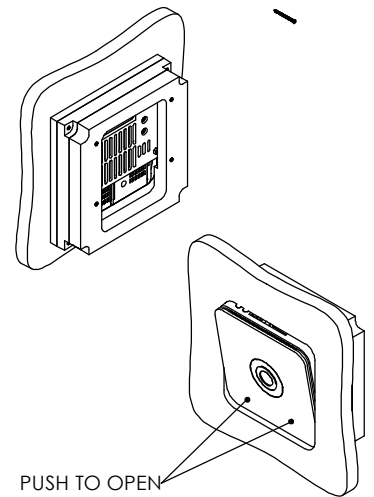
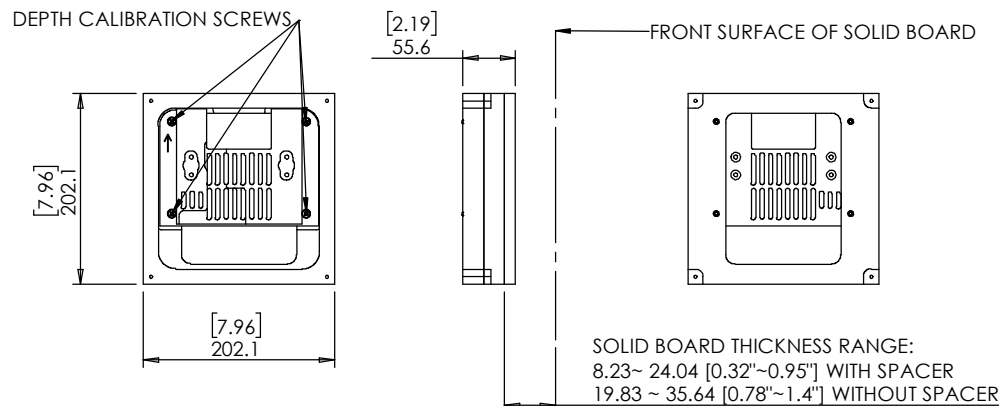
- Flush with the solid surface wall.
- Wall mount may be mounted in any orientation.
- Allows easy insertion and removal of the ring base station.
- Wall mount contains depth calibration mechanism and spacer allowing installation in solid surface boards of 8.23 [0.32"] up to 35.64 [1.4"] thickness.
- See page 3 for routing dimensions.
- Designed for the use Ring alarm base station 2nd gen (Ring alarm base station is not included).
- Adapter kit contains:

1. Wall adapter (X1)
2. Spacer (X1)
3. ST3x40 screws (X4)
4. M4x12 cap screws (X4)
5. M4 nuts (X4)
6. Base station adapter (X1)



Key properties:

- Dimensions: (W/H/D): 202.1mm (7.96")/ 202.1mm (7.96")/ 55.6mm (2.19").
- Power Supply: None (manual adapter).
- Weight: 0.7Kg, 1.54lbs.
- Material: Moisture resistant MDF (compliant with TSCA Title VI).





Model: WS SB FOR RING ALARM BASE STATION 2ND GEN

Model No.: 005-1-991

Family: WALL-SMART

DWG NO. 005-4-991-SPC

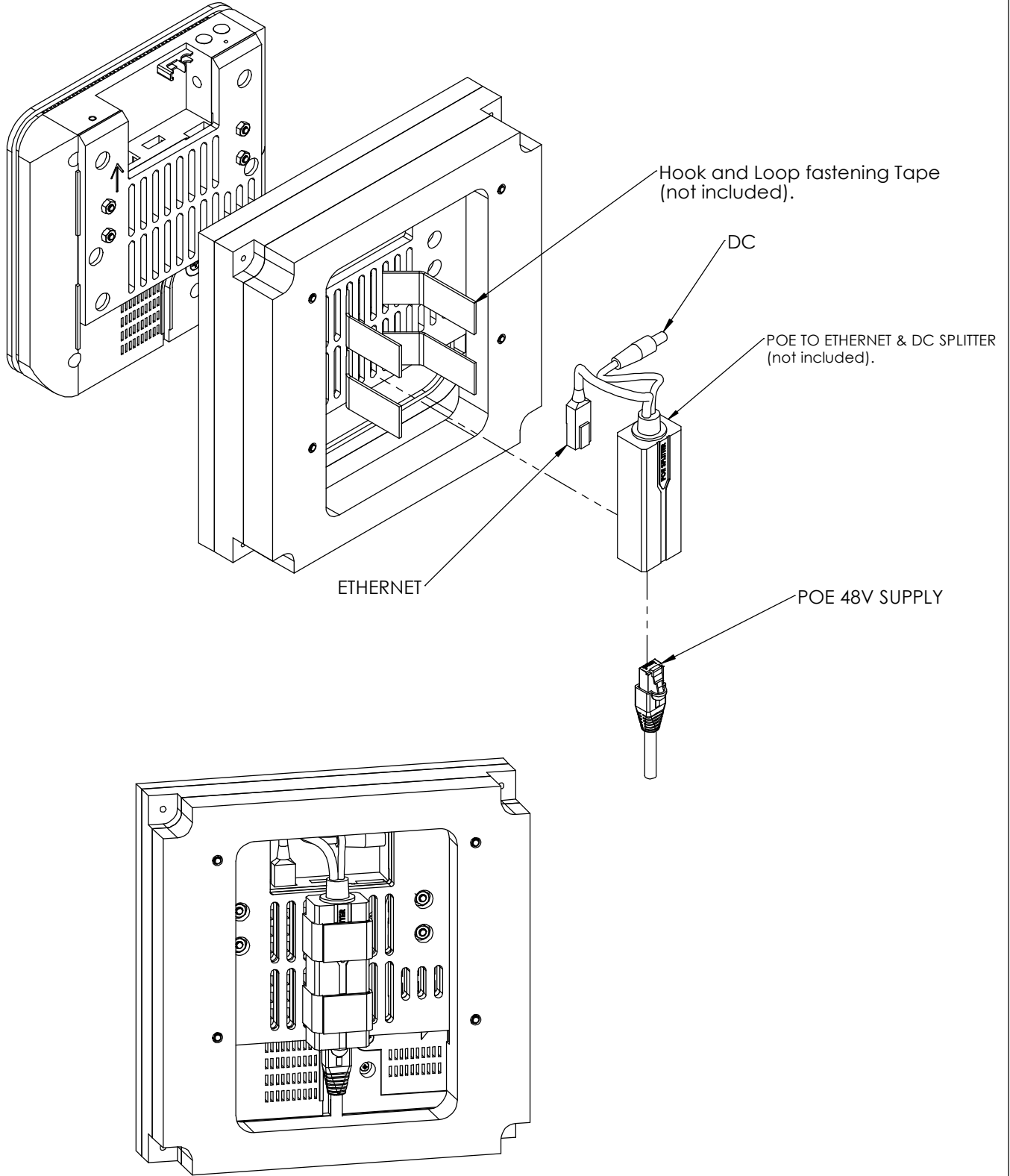
PRODUCT SPEC.

REVISION A

DATE 19/Aug/2024



In case a POE SPLITTER required attach the splitter to the depth calibration plate using Hook and Loop fastening tape. may use WALL-SMART ""Black Hook and Loop Fastening Tape 20mm X 1m" SKU 20-03-014 (sold separately)





Model: WS SB FOR RING ALARM BASE
STATION 2ND GEN

Model No.: 005-1-991

Family: WALL-SMART

DWG NO. 005-4-991-SPC

PRODUCT SPEC.

REVISION A

DATE 19/Aug/2024



CUTOUT ROUTING TEMPLATE 005-1-991

PRINT THIS PAGE 1:1 SCALE

SCALE 1:1

CONTACT WALL-SMART FOR DXF FILE

MARK SCREW LOCATIONS

