



Model: WS NC FOR RING ALARM BASE STATION 2ND GEN

Model No.: 005-1-990

Family: WALL-SMART

DWG NO. 005-4-990-SPC

PRODUCT SPEC.

REVISION A

DATE 20/Aug/2024



Make Your Wall Smart

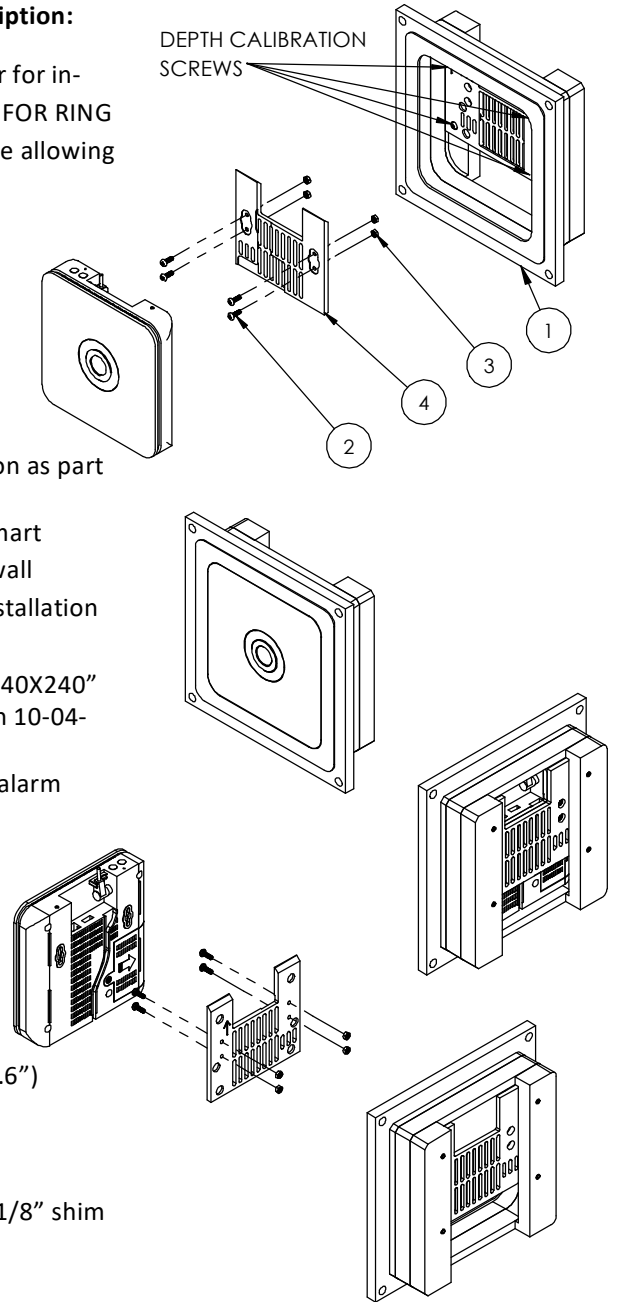
“WS NC FOR RING ALARM BASE STATION 2ND GEN” - Product description:

The “WS NC FOR RING ALARM BASE STATION 2ND GEN” is an adapter for in-wall flush installation of Ring alarm base station 2nd gen. The “WS NC FOR RING ALARM BASE STATION 2ND GEN” firmly mounts the base station while allowing easy access, insertion and operation.

Key features and benefits:

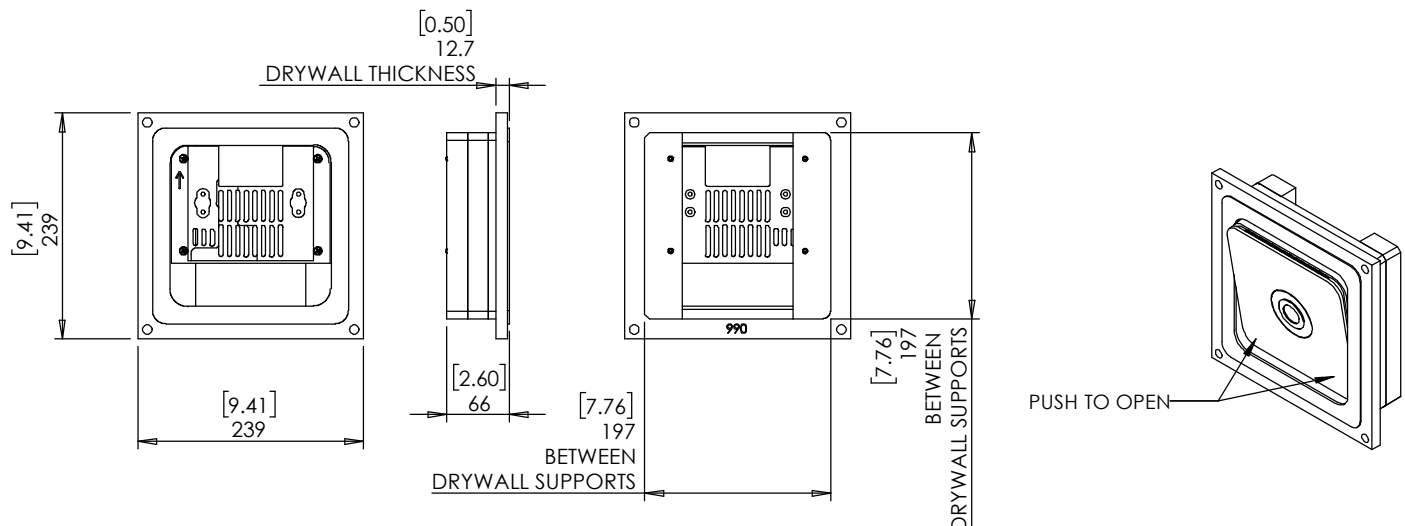
- Flush with the wall.
- Paintable with the wall paint in any color and texture.
- Includes depth calibration mechanism.
- Allows easy insertion and removal of the base station.
- The adapter is supplied unpainted (To be painted after installation as part of the wall).
- Designed to be installed in ½” drywall. Installation of the Wall-Smart adapter is straight-forward. Installation process is similar to drywall construction procedures. Before installation, read Wall-Smart installation instruction 10-04-00101-INS in <http://www.wall-smart.com/faq>
- For installation in concrete/block wall use “WS CONCRETE BOX 240X240” P/N 10-01-716 (sold separately) according installation instruction 10-04-00103-INS in <http://www.wall-smart.com/faq>
- Designed for the use with Ring alarm base station 2nd gen. (Ring alarm base station is not included).
- Adapter kit contains:
 1. Wall adapter (X1)
 2. M4x12 cap screws (X4)
 3. M4 nuts (X4)
 4. Base station adapter (X1)

DEPTH CALIBRATION SCREWS



Key properties:

- Dimensions (W/H/D): 239mm (9.41")/ 239mm (9.41")/ 66mm (2.6")
- Power Supply: None (manual adapter).
- Weight: 0.75Kg, 1.65lbs.
- Material: Moisture resistant MDF (compliant with TSCA Title VI).
- To be installed in ½” drywall (for installation in 5/8” drywall use 1/8” shim pack P/N 10-01-067 (sold separately)).





Model: WS NC FOR RING ALARM BASE STATION 2ND GEN

Model No.: 005-1-990

Family: WALL-SMART

DWG NO. 005-4-990-SPC

PRODUCT SPEC.

REVISION A

DATE 20/Aug/2024



In case a POE SPLITTER required attach the splitter to the depth calibration plate using Hook and Loop fastening tape.
may use WALL-SMART ""Black Hook and Loop Fastening Tape 20mm X 1m" SKU 20-03-014 (sold separately)

