



Model: WS SB FOR BASALTE RECEPTACLE ACCESSORY 1GANG

Family: WALL-SMART

DWG NO. 003-4-598-SPC



Model No.: 003-1-598

PRODUCT SPEC.

REVISION A
DATE 12/AUG/2021

Make Your Wall Smart

“WS SB FOR BASALTE RECEPTACLE ACCESSORY 1GANG- Product description:

The “WS SB FOR BASALTE RECEPTACLE ACCESSORY 1GANG” is an adapter for in-wall flush installation of a BASALTE RECEPTACLE ACCESSORY 1GANG devices in solid board walls.

The “WS SB FOR BASALTE RECEPTACLE ACCESSORY 1GANG” firmly mounts the device while allowing easy access, insertion and removal.

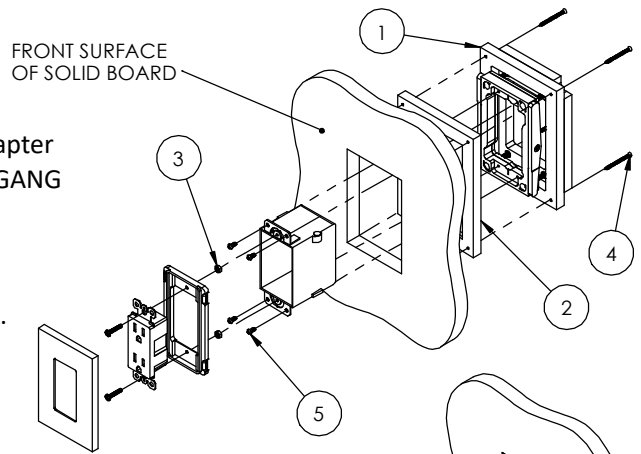
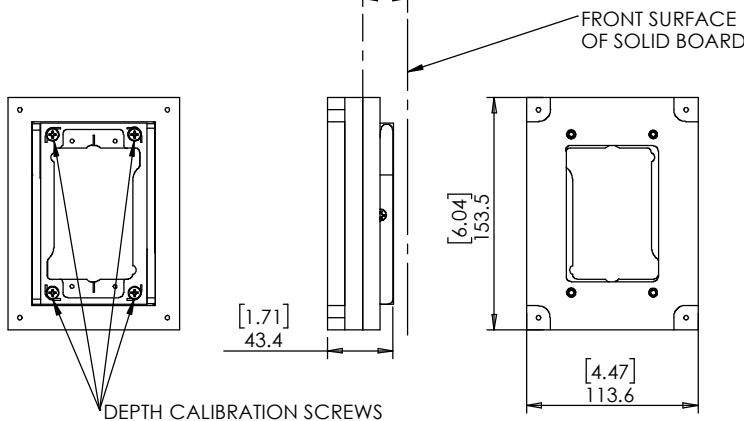
Key features and benefits:

- Allows easy insertion and removal.
- Flush with the wall.
- Allows easy maintenance access.
- Includes depth calibration mechanism and a spacer.
- allowing installation in wide range of board thicknesses:
With spacer: 7.5mm ~ 22.0mm [0.3” ~ 0.83”] thick.
Without spacer 19.2mm ~ 33mm [0.76” ~ 1.3”] thick.
- Designed for Basalte 1gang US faceplate (faceplate, socket and back box are not included).
- Use routing template as spacer.
- Installation kit contains:
 1. Wall adapter (x1)
 2. Routing template (x1)
 3. Installation spacer M4 nut (x2)
 4. ST3x40 screws (x4)
 5. #6x5/16” Screws (x4)

Key properties:

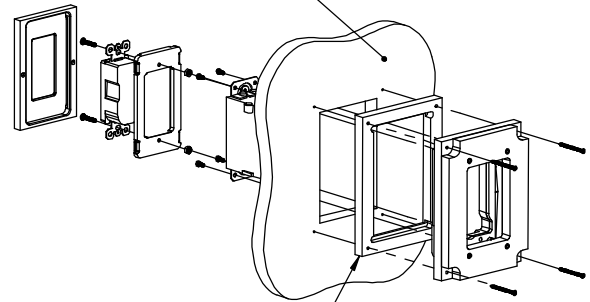
- Dimensions (W/H/D): 113.6mm (4.47”)/ 153.5mm (6.04”)/ 43.4mm (1.71”)
- Power Supply: None (manual adapter).
- Weight: 0.3Kg, 0.66lbs.
- Material: Moisture resistant MDF (compliant with TSCA Title VI)

SOLID BOARD THICKNESS RANGE:
7.5 ~ 21.0 [0.3~0.83] WITH SPACER
19.2 ~ 33 [0.83~1.3] WITHOUT SPACER



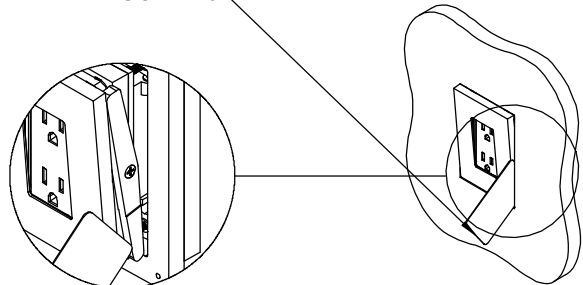
Hubbel-Raco 420 Box (or equivalent)

IN CASE OF INSTALLATION IN WOOD USE SCREWS, OTHERWISE APPLY STRUCTURAL ADHESIVE



FOR BOARDS THINNER THAN 20mm [0.8”] USE ROUTING TEMPLATE AS SPACER

TO OPEN THE FACEPLATE, INSERT AND PUSH A THIN PLASTIC CARD INTO THE VERTICAL GAP ON THE BOTTOM RIGHT OR ON THE TOP LEFT CORNERS





Model: WS SB FOR BASALTE RECEPTACLE ACCESSORY 1GANG

Family: WALL-SMART

DWG NO. 003-4-598-SPC

Model No.: 003-1-598

PRODUCT SPEC.

REVISION A

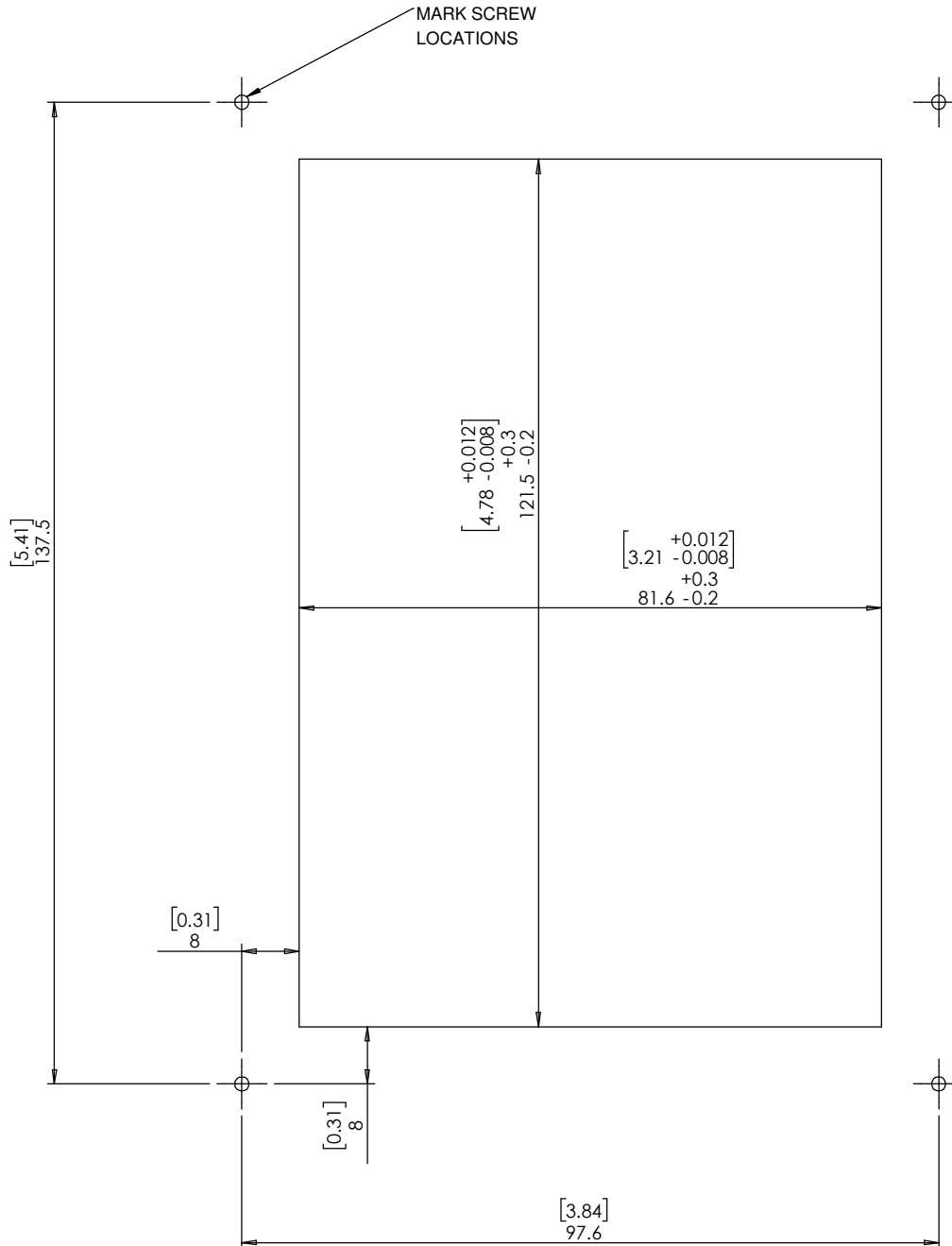
DATE 12/AUG/2021



CUTOUT ROUTING TEMPLATE

003-1-598

SCALE 1:1



PRINT THIS PAGE 1:1 SCALE