



Model: WS SB FOR BASALTE FIBONACCI

Family: WALL-SMART

DWG NO. 003-4-127-SPC



Model No.: 003-4-127

PRODUCT SPEC.

REVISION A

DATE 27/MAY/2021

Make Your Wall Smart

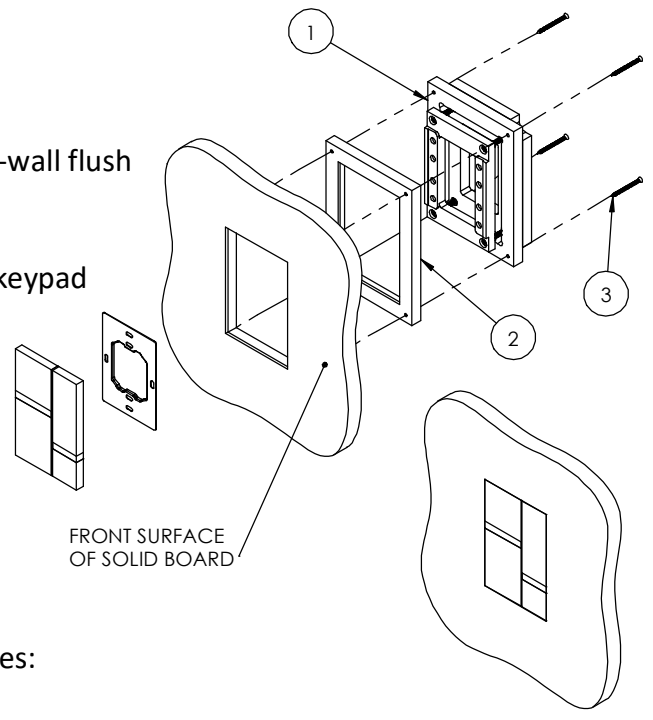
“WS SB FOR BASALTE FIBONACCI” - Product description:

The “WS SB FOR BASALTE FIBONACCI” is an adapter for in-wall flush installation of a BASALTE FIBONACCI in solid board walls.

The “WS SB FOR BASALTE FIBONACCI” firmly mounts the keypad allowing easy access, insertion and operation.

Key features and benefits:

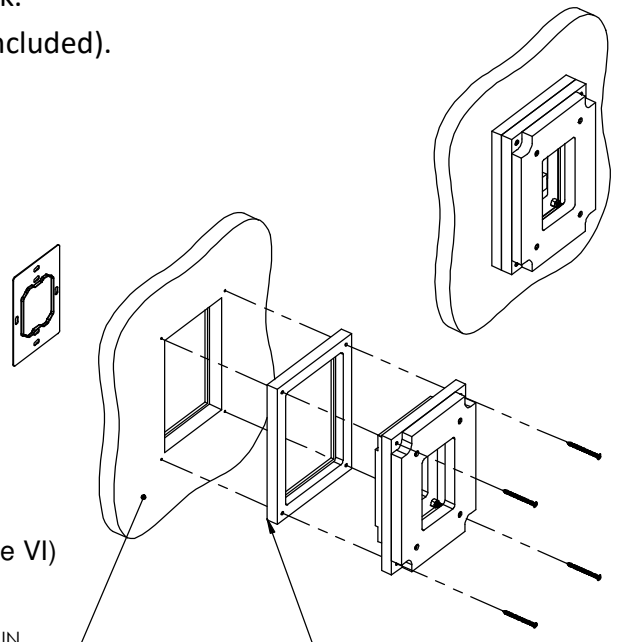
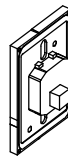
- Allows easy insertion and removal.
- Flush with the wall.
- Allows easy maintenance access.
- Includes depth calibration mechanism and a spacer.
- allowing installation in wide range of board thicknesses:
With spacer: 3.5mm ~ 19.2mm [0.12" ~ 0.76"] thick.
Without spacer 15.0mm ~ 31.5mm [0.6" ~ 1.25"] thick.
- Designed for the use with BASALTE FIBONACCI (not included).
- Use routing template as spacer.
- Installation kit contains:
 1. Wall adapter (x1)
 2. Routing template (x1)
 3. ST3x40 screws (x4)



FRONT SURFACE OF SOLID BOARD

Key properties:

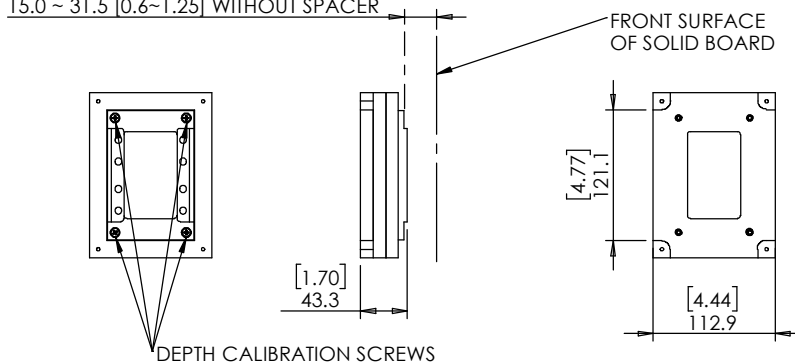
- Dimensions (W/H/D): 121.1mm (4.77")/ 112.9mm (4.44")/ 43.3mm (1.7")
- Power Supply: None (manual adapter).
- Weight: 0.4Kg, 0.88lbs.
- Material: Moisture resistant MDF (compliant with TSCA Title VI)



USE ROUTING TEMPLATE AS SPACER

IN CASE OF INSTALLATION IN WOOD USE SCREWS, OTHERWISE APPLY STRUCTURAL ADHESIVE

SOLID BOARD THICKNESS RANGE:
3.5 ~ 19.2 [0.12~0.76] WITH SPACER
15.0 ~ 31.5 [0.6~1.25] WITHOUT SPACER



PUSH TO OPEN



Model: WS SB FOR BASALTE FIBONACCI

Family: WALL-SMART

DWG NO. 003-4-127-SPC

Model No.: 003-1-127

PRODUCT SPEC.

REVISION A

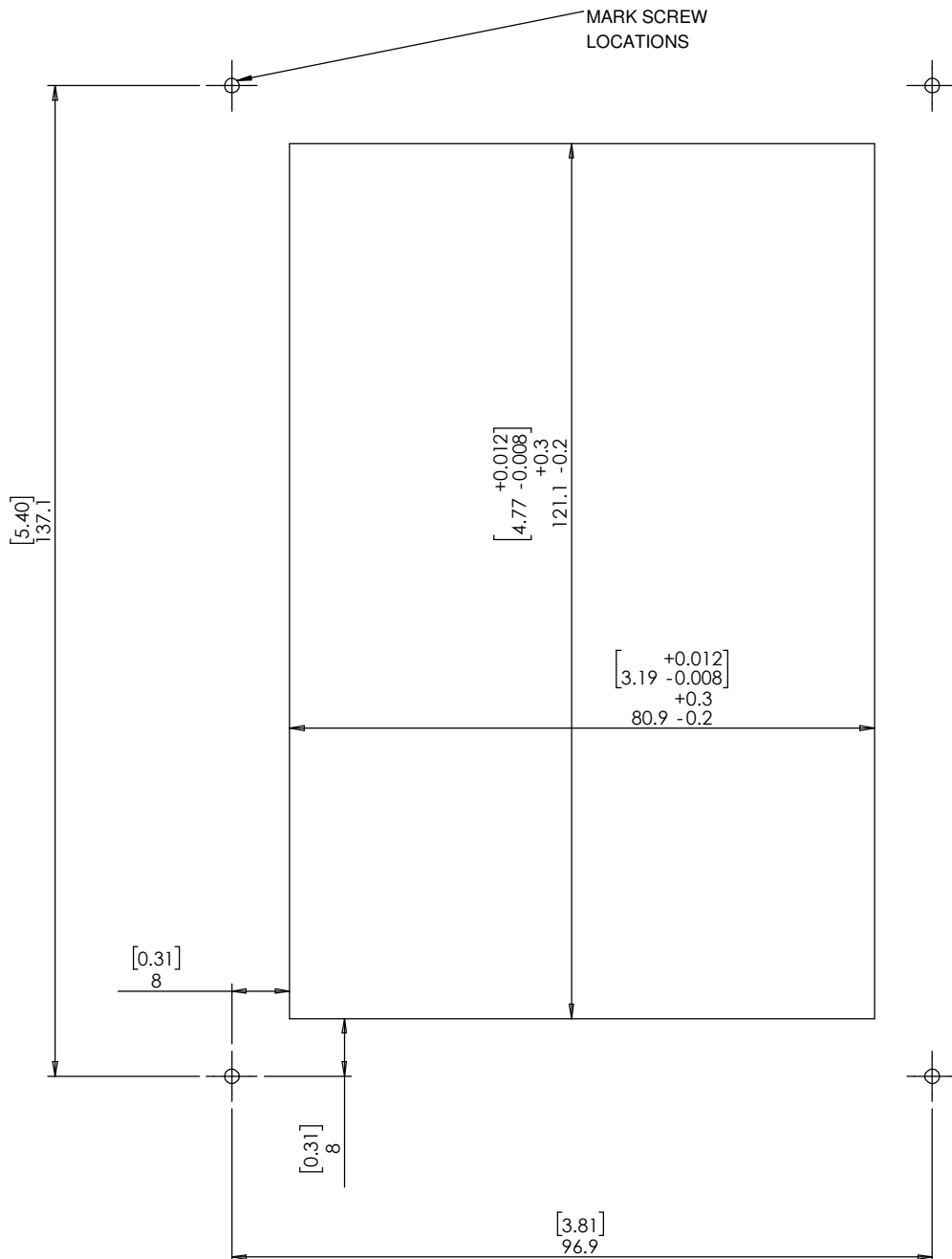
DATE 27/MAY/2021



CUTOUT ROUTING TEMPLATE

003-1-127

SCALE 1:1



PRINT THIS PAGE 1:1 SCALE