



Model: WS SB FOR IPAD PRO 13 M4 + ETHERNET

Model No.: 002-1SA05E

Family: WALL-SMART

DWG NO. 002-4SA05E-SPC

PRODUCT SPEC.

REVISION A

DATE 16/Sep/2024



**Make Your Wall Smart**

**“WS SB FOR IPAD PRO 13 M4 + ETHERNET” - Product description:**

The “WS SB FOR IPAD PRO 13 M4 +ETHERNET” is an adapter for in-wall flush installation of iPad Pro 13” M4 in solid Board walls.

The “WS SB FOR IPAD PRO 13 M4 + ETHERNET ” firmly mounts the iPad while allowing easy insertion, removal and operation.

**Key features and benefits:**

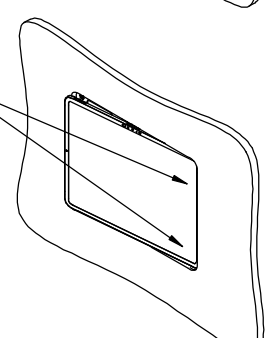
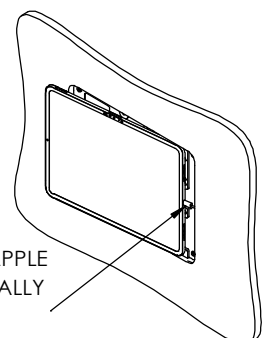
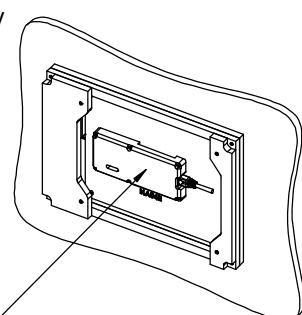
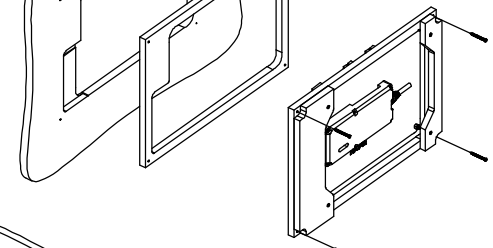
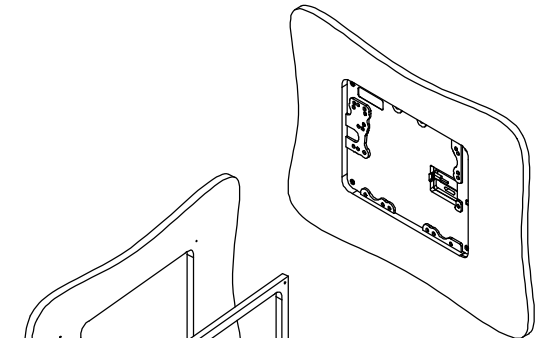
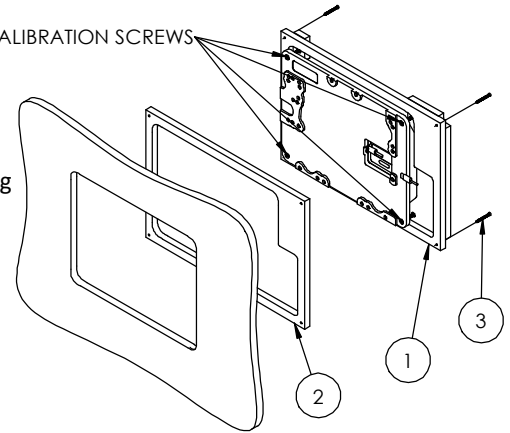
- Flush with the solid surface wall.
- Wall mount may be mounted in any orientation.
- Allows easy insertion and removal of the iPad.
- Wall mount contains depth calibration screws and spacer allowing installation in solid surface boards of 1 [0.04”] up to 28 [1.10”] thickness.
- See page 3-5 for routing dimensions.
- Includes 10/100 ethernet connectivity.
- Designed for the use with iPad Pro 13” M4 (by Apple) (iPad is not included).
- Adapter kit contains:
  1. Wall adapter (X1)
  2. Spacer (X1)
  3. ST3x40 screws (X4)

**Key properties:**

- Dimensions: (W/H/D): 357.16mm (14.06”)/ 248mm (9.76”)/ 41.95 (1.65”)
- Power Supply: Wall mount includes POE to USB converter with Ethernet. The installer should connect the wall mount to an IEEE 802.3af POE+ power source via CAT5/6 cable and RJ45 connector. (Please verify the power source can supply up to 25.5W)
- See page 6 for ethernet configuration.
- In case Ethernet connectivity is not necessary, Please verify availability of SKU# 002-1SA05 with charging capability only.
- Weight: 1.1Kg, 2.42lbs.
- Material: Moisture resistant MDF (compliant with TSCA Title VI)

iPad® is a trademark of Apple Inc., registered in the U.S. and other countries.

DEPTH CALIBRATION SCREWS

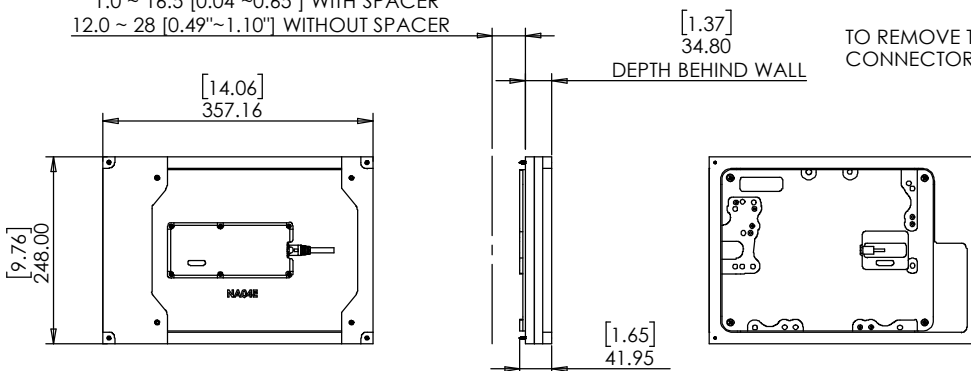


POE to USB converter.  
connect a 48V IEEE 802.3af POE power source via a CAT5/6 cable and RJ45 connector

TO MOUNT THE iPad INSERT APPLE CONNECTOR AND MAGNETICALLY DROP iPad IN PLACE

TO REMOVE THE IPAD PUSH IN CONNECTOR SIDE EDGE

SOLID BOARD THICKNESS RANGE:  
1.0 ~ 16.5 [0.04”~0.65”] WITH SPACER  
12.0 ~ 28 [0.49”~1.10”] WITHOUT SPACER





Model: WS SB FOR IPAD PRO 13 M4 + ETHERNET

Model No.: 002-1SA05E

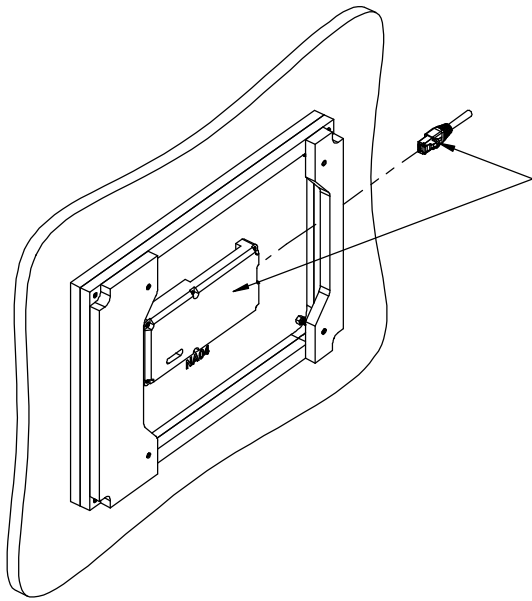
Family: WALL-SMART

DWG NO. 002-4SA05E-SPC

PRODUCT SPEC.

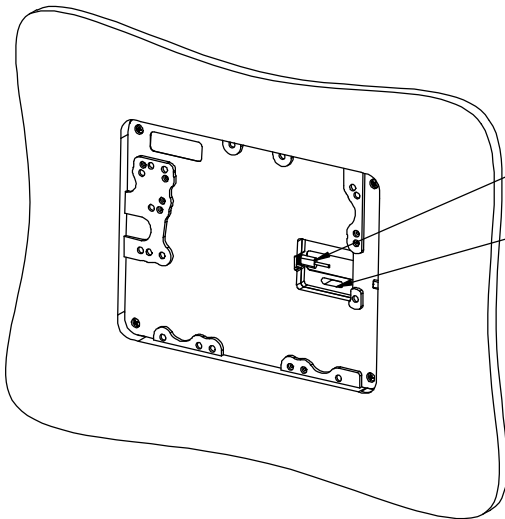
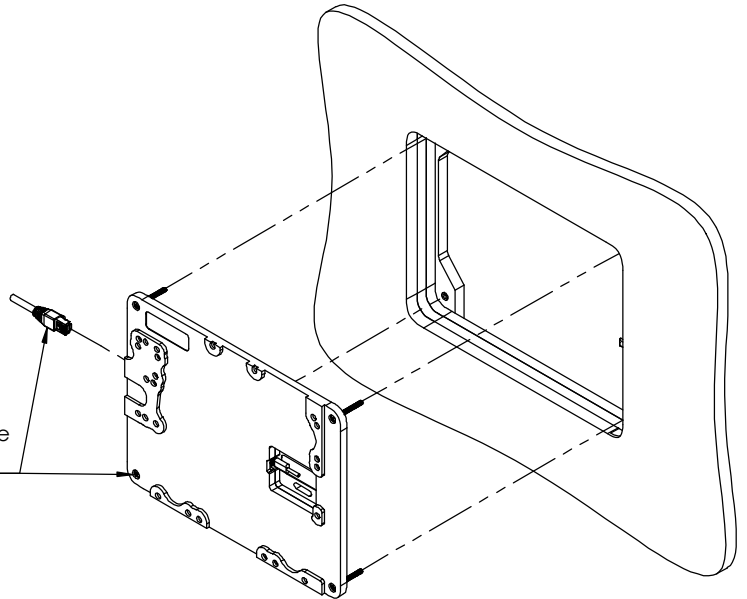
REVISION A

DATE 16/Sep/2024



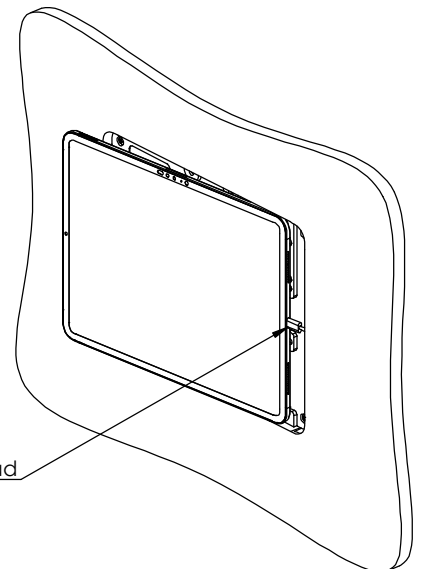
Before installation of the wall mount, connect a 48V IEEE 802.3at POE+ power source via a CAT5/6 cable and RJ45 connector to the POE to USB converter.

If required, it is possible to gradually unscrew the 4 depth calibration screws, remove the platform and connect the POE cable after the wall mount was installed.



Connect USB-C connector to the iPad and insert iPad

Organize the cable in the cable slit



Connect USB-C connector to the iPad and insert iPad



Model: WS SB FOR IPAD PRO 13 M4  
+ ETHERNET

Family: WALL-SMART

DWG NO. 002-4SA05E-SPC



Model No.: 002-1SA05E

PRODUCT SPEC.

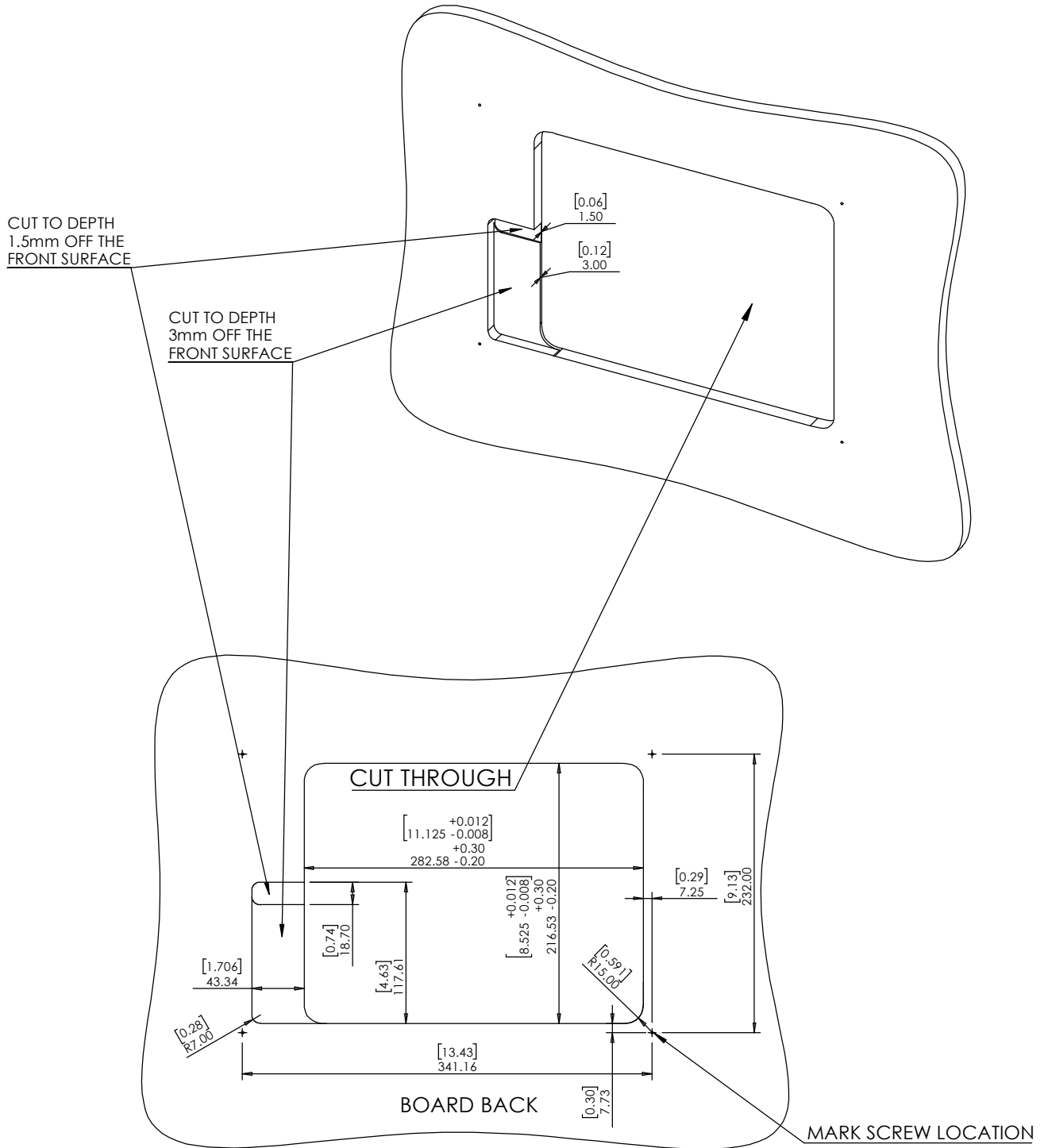
REVISION A

DATE 16/Sep/2024

# 002-1SA05E WALL OPENING

## 1:5 SCALE!

CONTACT WALL-SMART FOR DXF FILE



# WS SB FOR IPAD PRO 13 M4

## ROUTING TEMPLATE - 002-4SA05E

SCALE 1:1

CONTACT WALL-SMART FOR COMPLETE TEMPLATE IN DXF FORMAT

MARK SCREW POSITION

[0.57]  
R14.5 TYP

[11.125 +0.012  
-0.008]  
+0.30  
282.58 -0.20  
ROUTE THRU

[8.525 +0.012  
-0.008]  
+0.30  
216.53 -0.20  
ROUTE THRU

**PRINT IN 100% SCALE ON A4 PAPER!**

[9.13]  
232.00

[0.29]  
7.25

[0.30]  
7.73

[13.43]  
341.16

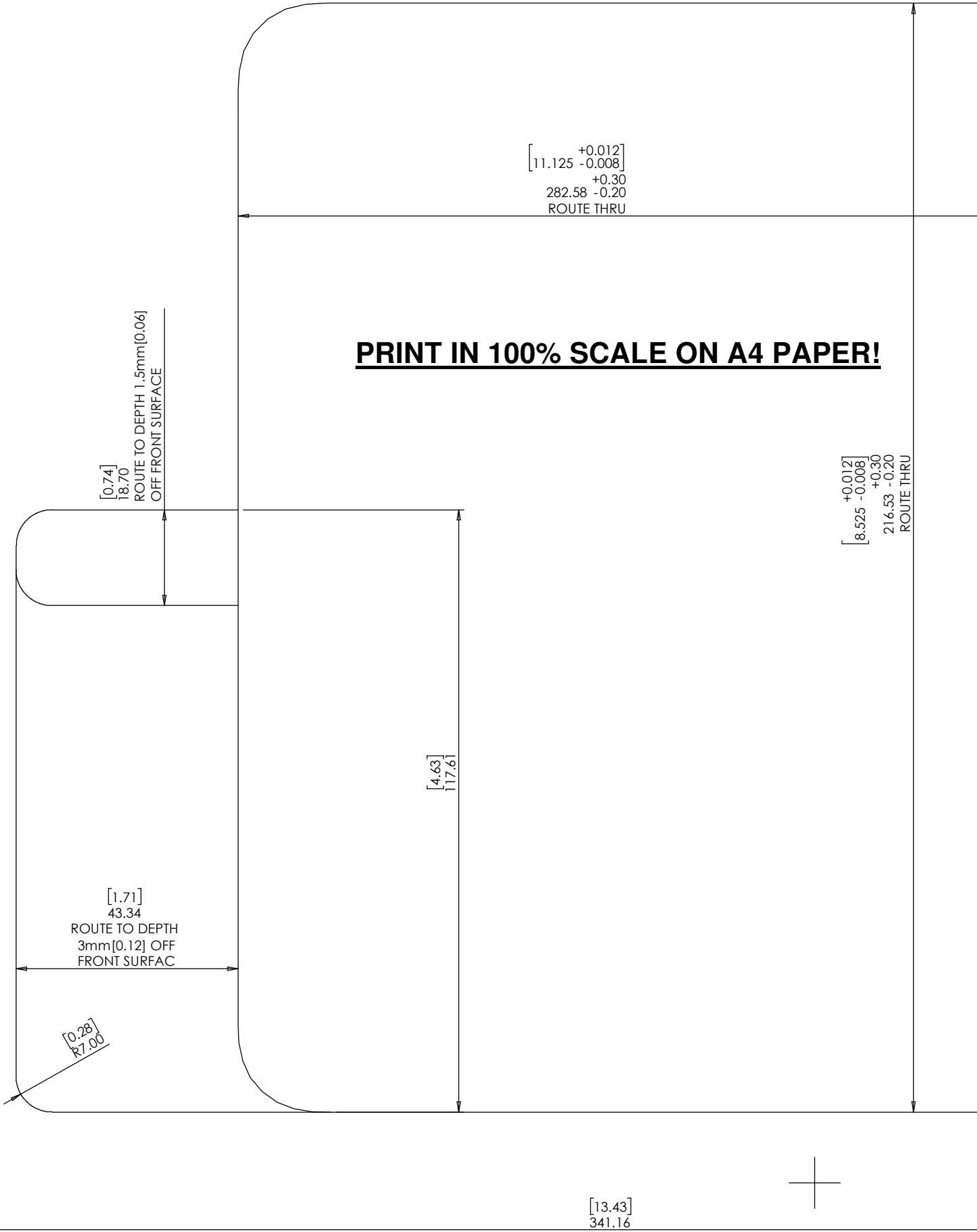
# WS SB FOR IPAD PRO 13 M4

## ROUTING TEMPLATE - 002-4SA05E

SCALE 1:1

CONTACT WALL-SMART FOR COMPLETE TEMPLATE IN DXF FORMAT

**PRINT IN 100% SCALE ON A4 PAPER!**





Model: WS SB FOR IPAD PRO 11 M4 + ETHERNET

Family: WALL-SMART

DWG NO. 002-4SA05E-SPC

Model No.: 002-1SA02E

PRODUCT SPEC.

REVISION A

DATE 16/Sep/2024



### POE to USB converter with Ethernet - Product Specifications

- USB Connector: Type C
- Data Rate: 10/100
- Input Voltage Range: 44-56 volts (IEEE 802.3at compliant)
- Max Power Output: 25 watts
- Operating Humidity: 5% to 90%
- Operating Temperature Range: -10 – 60c
- Output Voltage: 5V,2.6A; 9V,1.78A; 12V,1.34A; 15V,1.37A; 20V,1.15A
- Power Input: 25.5 watts
- iPad operation system version must be iOS 12.2 or later.

#### Connection steps:

1. Plug the RJ-45 connector into an IEEE 802.3at PoE (POE+) with a data source.
2. Ensure the device you're connecting to is on and logged in.
3. Plug the USB-C connector into the mount.

The converter will automatically set up the network connection with your device and begin charging.

#### Configuring the IP:

1. Navigate to Settings and go to "Ethernet".
2. After selecting you'll see all the options for PoE Texas LAN, and your IPV4 IP address information. If it shows "Automatic", that means you're getting a dynamically assigned IP address.
3. If you'd like to reconfigure the IP address, DNS, and HTTP Proxy settings, you can do that here. The most used option will be fixing your IP address by selecting the "Automatic" button.

