



Model: WS SB FOR IPAD PRO 13 M4

Model No.: 002-1SA05

Family: WALL-SMART

DWG NO. 002-4SA05-SPC

PRODUCT SPEC.

REVISION A

DATE 15/Sep./2024



### Make Your Wall Smart

#### “WS SB FOR IPAD PRO 13 M4” - Product description:

The “WS SB FOR IPAD PRO 13 M4” is an adapter for in-wall flush installation of iPad Pro 13” M4 in solid Board walls.

The “WS SB FOR IPAD PRO 13 M4” firmly mounts the iPad while allowing easy insertion, removal and operation.

#### Key features and benefits:

- Flush with the solid surface wall.
- Wall mount may be mounted in any orientation.
- Allows easy insertion and removal of the iPad.
- Wall mount contains depth calibration screws and spacer allowing installation in solid surface boards of 1 [0.04”] up to 28 [1.10”] thickness.
- See page 3-5 for routing dimensions.
- Designed for the use with iPad Pro 13” M4 (by Apple) (iPad is not included).
- Adapter kit contains:

1. Wall adapter (X1)
2. Spacer (X1)
3. ST3x40 screws (X4)

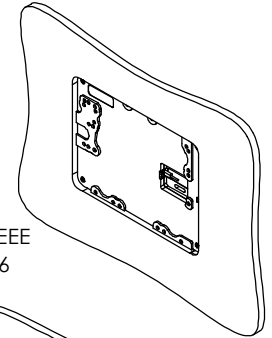
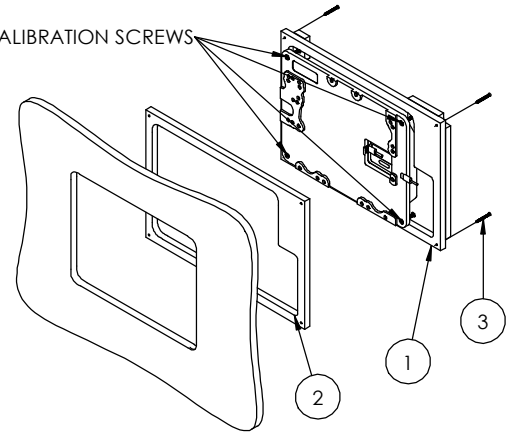
POE to USB converter. connect a 48V IEEE 802.3af POE power source via a CAT5/6 cable and RJ45 connector

#### Key properties:

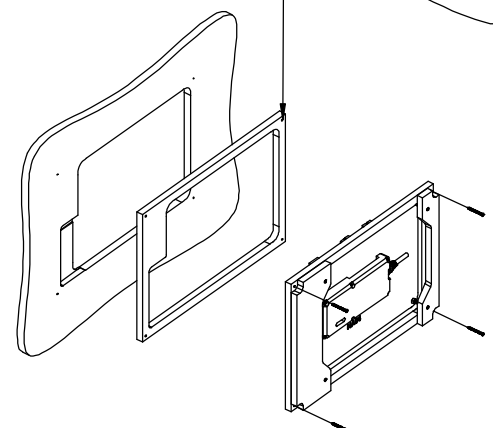
- Dimensions: (W/H/D): 357.16mm (14.06”)/ 248mm (9.76”)/41.95 (1.65”)
- Power Supply: Wall mount includes POE to USB converter. The installer should connect the wall mount to an IEEE 802.3at POE+ power source via CAT5/6 cable and RJ45 connector. (Please verify the power source can supply up to 25.5W)
- Standard mounts supplied with charging only. In case Ethernet connectivity required, Please verify availability of SKU# 002-1SA05E.
- Weight: 1.1Kg, 2.42lbs.
- Material: Moisture resistant MDF (compliant with TSCA Title VI)

iPad® is a trademark of Apple Inc., registered in the U.S. and other countries.

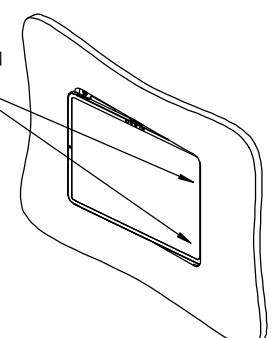
DEPTH CALIBRATION SCREWS



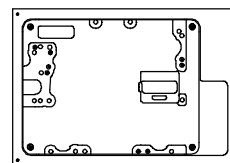
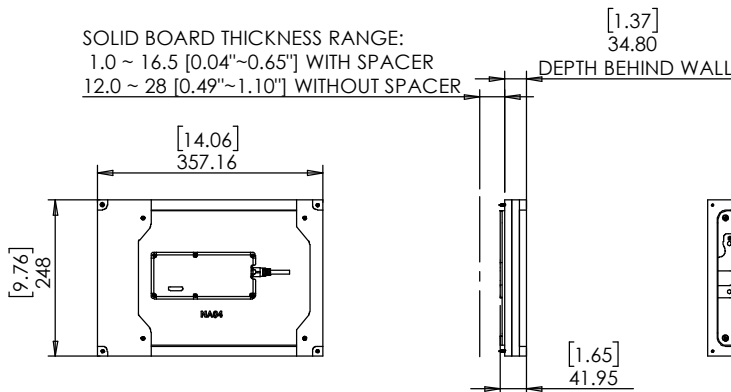
FOR INSTALLATION IN BOARDS 1.0mm TO 16.5mm USE SPACER



TO REMOVE THE IPAD PUSH IN CONNECTOR SIDE EDGE



SOLID BOARD THICKNESS RANGE:  
 1.0 ~ 16.5 [0.04”~0.65”] WITH SPACER  
 12.0 ~ 28 [0.49”~1.10”] WITHOUT SPACER





Model: WS SB FOR IPAD PRO 13 M4

Family: WALL-SMART

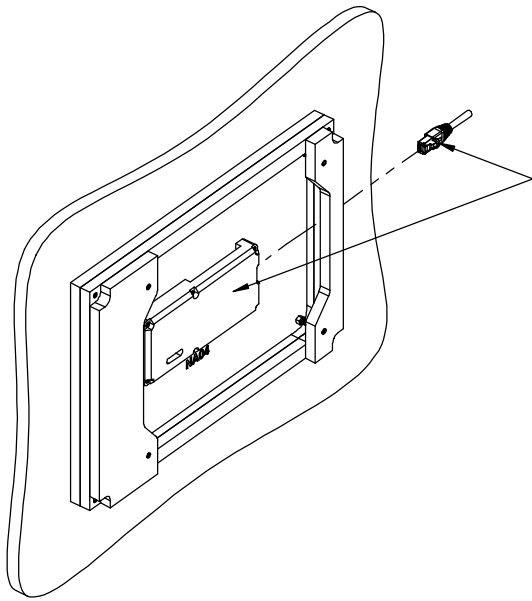
DWG NO. 002-4SA05-SPC

Model No.: 002-1SA05

PRODUCT SPEC.

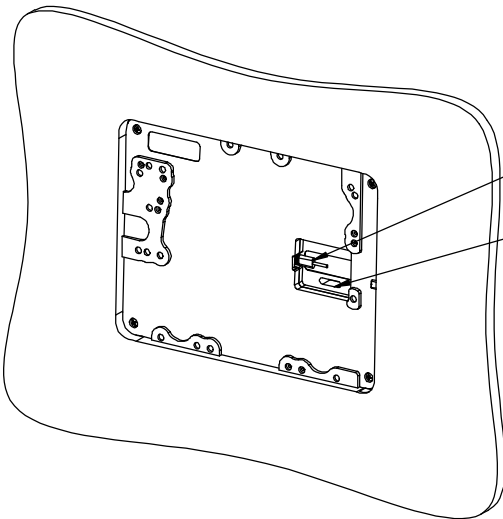
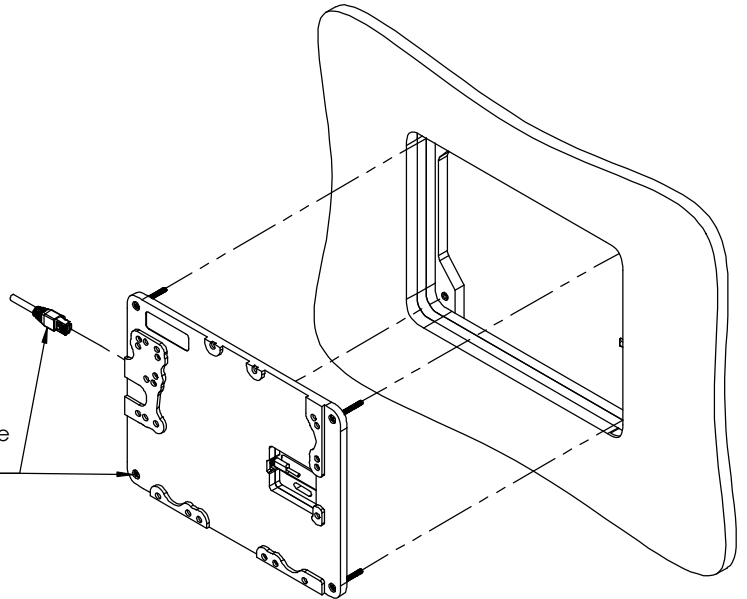
REVISION A

DATE 15/Sep./2024



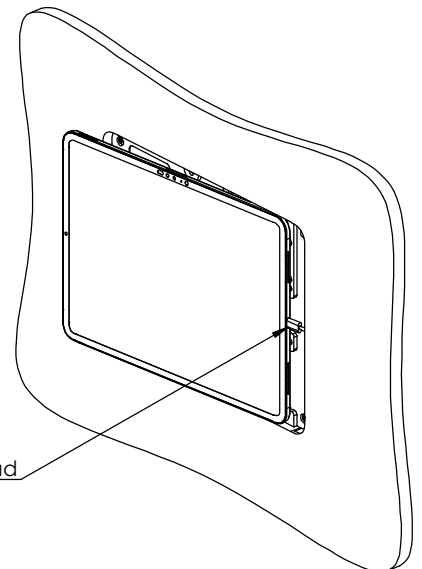
Before installation of the wall mount, connect a 48V IEEE 802.3at POE+ power source via a CAT5/6 cable and RJ45 connector to the POE to USB converter.

If required, it is possible to gradually unscrew the 4 depth calibration screws, remove the platform and connect the POE cable after the wall mount was installed.



Connect USB-C connector to the iPad and insert iPad

Organize the cable in the cable slit



Connect USB-C connector to the iPad and insert iPad



Model: WS SB FOR IPAD PRO 13 M4

Family: WALL-SMART

DWG NO. 002-4SA05-SPC

Model No.: 002-1SA05

PRODUCT SPEC.

REVISION A

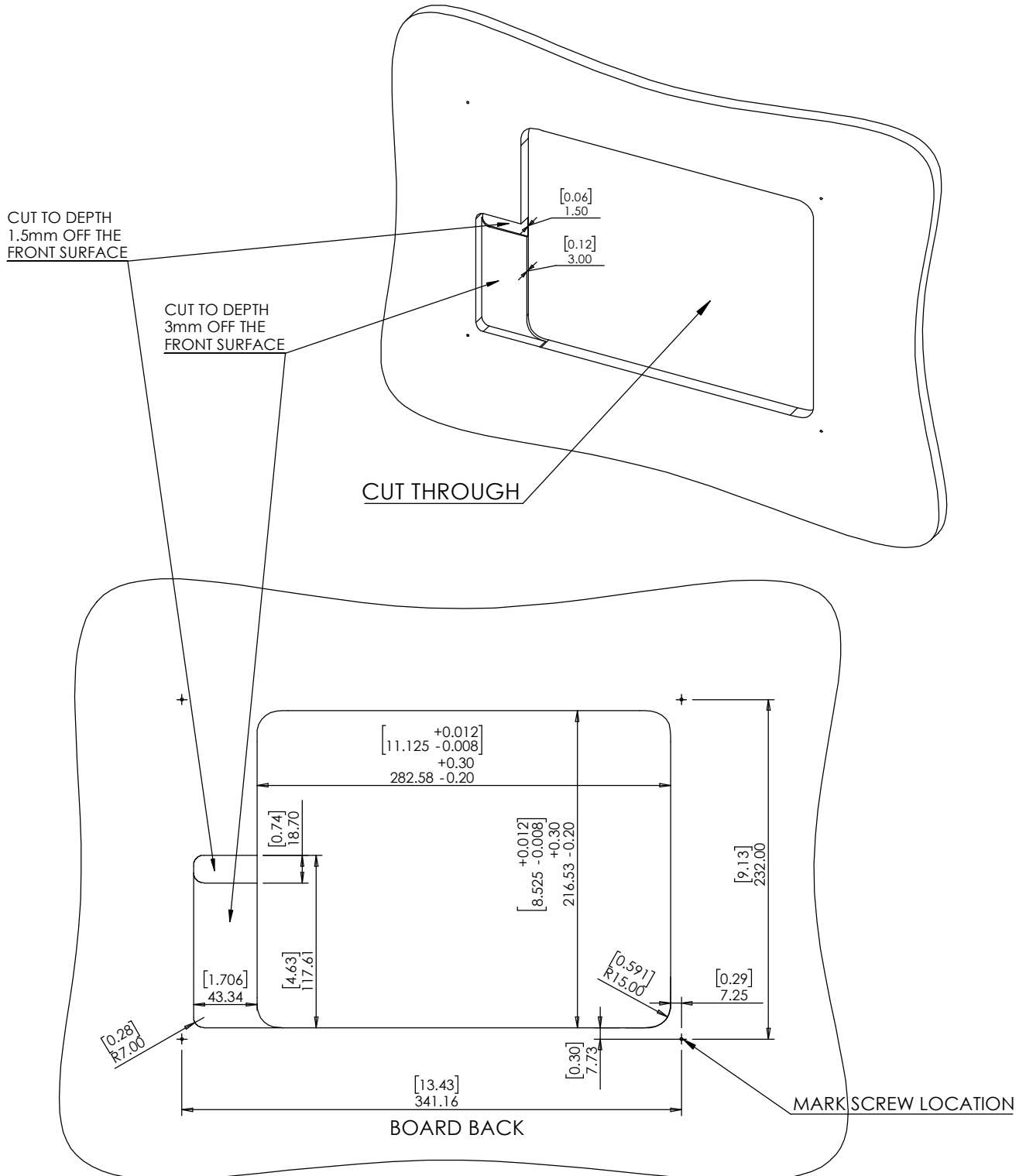
DATE 15/Sep./2024



# 002-1SA05 WALL OPENING

## 1:4 SCALE!

CONTACT WALL-SMART FOR DXF FILE



# WS SB FOR IPAD PRO 13 M4

## ROUTING TEMPLATE - 002-4SA05

SCALE 1:1

CONTACT WALL-SMART FOR COMPLETE TEMPLATE IN DXF FORMAT

MARK SCREW POSITION

[0.57]  
R14.5 TYP

[11.125 +0.012  
-0.008]  
+0.30  
282.58 -0.20  
ROUTE THRU

[8.525 +0.012  
-0.008]  
+0.30  
216.53 -0.20  
ROUTE THRU

**PRINT IN 100% SCALE ON A4 PAPER!**

[9.13]  
232.00

[0.29]  
7.25

[0.30]  
7.73

[13.43]  
341.16

# WS SB FOR IPAD PRO 13 M4

## ROUTING TEMPLATE - 002-4SA05

SCALE 1:1

CONTACT WALL-SMART FOR COMPLETE TEMPLATE IN DXF FORMAT

**PRINT IN 100% SCALE ON A4 PAPER!**

