



Model: WS RETROFIT FOR IPAD 10TH GEN +ETHERNET  
BLACK / WHITE / UNPAINTED

Family: WALL-SMART

DWG NO. 002-4-927E-SPC



Model No.: 002-1-927E-BL/-WH/-WO

PRODUCT SPEC.

REVISION A

DATE 28/MAY/2024

**Make Your Wall Smart**

**“WS RETROFIT FOR IPAD 10TH GEN +ETHERNET” - Product description:**

The “WS RETROFIT FOR IPAD 10TH GEN +ETHERNET” is an adapter for in-wall nearly flush retrofit installation of iPad 10<sup>th</sup> GEN”.

The “WS RETROFIT FOR IPAD 10TH GEN +ETHERNET” firmly mounts the iPad while allowing easy insertion, removal and operation.

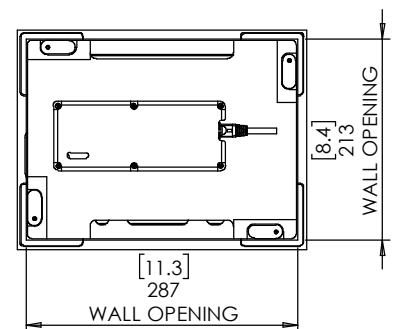
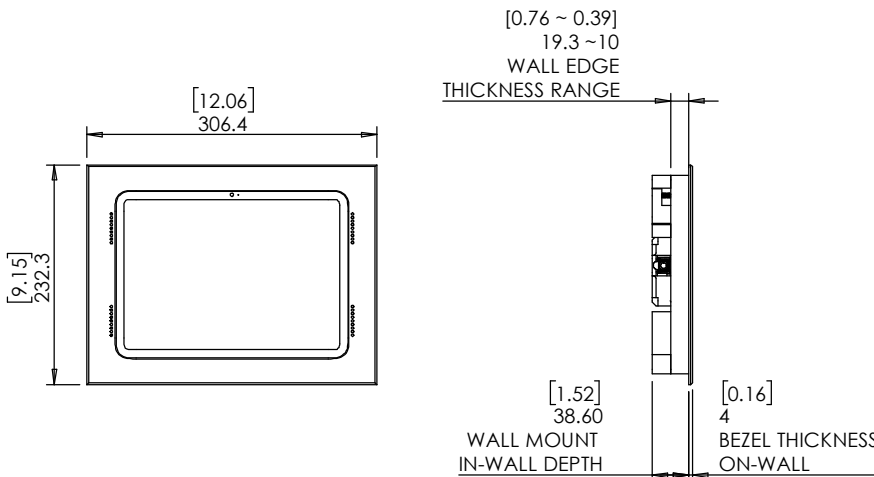
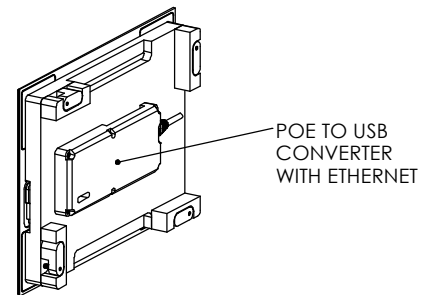
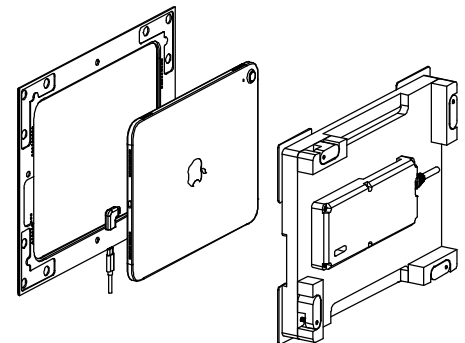
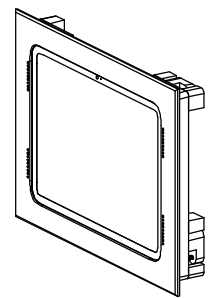
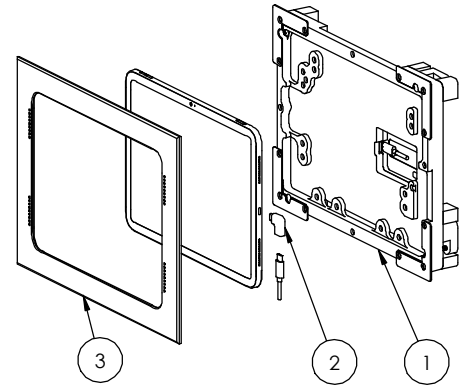
**Key features and benefits:**

- Nearly flush with the wall (4mm [0.16"] thick on-wall bezel).
- Wall mount may be mounted in any orientation.
- Includes 10/100 ethernet connectivity.
- Designed for the use with iPad 10<sup>th</sup> GEN (by Apple) (iPad is not included).
- The bezel is supplied painted black (-BL), white (-WH) or unpainted (-WO)
- Adapter kit contains:
  1. Wall adapter (X1)
  2. Bezel (X1)
  3. USB-C / USB-C 90deg adaptor (X1)

**Key properties:**

- Dimensions: (W/H/D): 306.4mm (12.06")/ 232.3mm (9.15")/ 42.6mm (1.68")
- Power Supply: Wall mount includes POE to USB-C converter with Ethernet.  
The installer should connect the wall mount to an IEEE 802.3at POE+ power source via CAT6 cable and RJ45 connector. (Please verify the POE+ power source can supply 25.5W)
- See page 3 for Ethernet configuration.
- In case Ethernet connectivity is not necessary, consider using SKU# 002-1-927-BL / -WH / -WO with charging capability only.
- Weight: 2.3Kg, 5.06lbs.
- Material: Moisture resistant MDF (compliant with TSCA Title VI)

iPad® is a trademark of Apple Inc., registered in the U.S. and other countries.





Model: WS RETROFIT FOR IPAD 10TH GEN  
+ETHERNET  
BLACK / WHITE / UNPAINTED

Family: WALL-SMART

DWG NO. 002-4-927E-SPC

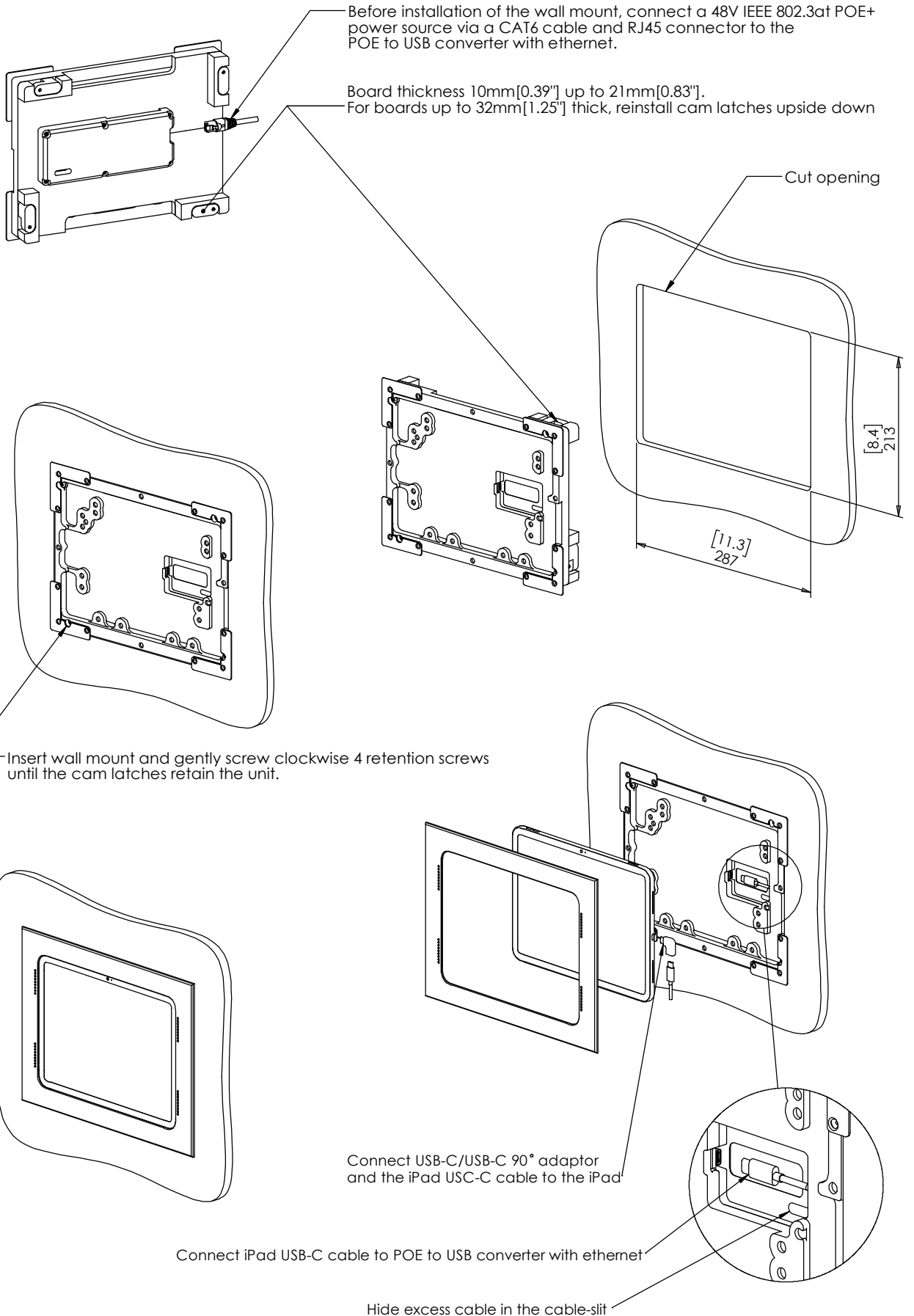


Model No.: 002-1-927E-BL/-WH/-WO

PRODUCT SPEC.

REVISION A

DATE 28/MAY/2024





Model: WS RETROFIT FOR IPAD 10TH GEN  
+ETHERNET  
BLACK / WHITE / UNPAINTED

Family: WALL-SMART

DWG NO. 002-4-927E-SPC

Model No.: 002-1-927E-BL/-WH/-WO

PRODUCT SPEC.

REVISION B

DATE 28/MAY/2024



## POE to USB converter with Ethernet - Product Specifications

- USB Connector: Type C
- Data Rate: 10/100
- Input Voltage Range: 44-56 volts (IEEE 802.3at compliant)
- Max Power Output: 25 watts
- Operating Humidity: 5% to 90%
- Operating Temperature Range: -10 – 60c
- Output Voltage: 5V,2.6A; 9V,1.78A; 12V,1.34A; 15V,1.37A; 20V,1.15A
- Power Input: 25.5 watts
- iPad operation system version must be iOS 12.2 or later.

### Connection steps:

1. Plug the RJ-45 connector into an IEEE 802.3at PoE (POE+) with a data source.
2. Ensure the device you're connecting to is on and logged in.
3. Plug the USB-C connector into the mount.

The converter will automatically set up the network connection with your device and begin charging.

### Configuring the IP:

1. Navigate to Settings and go to "Ethernet".
2. After selecting you'll see all the options for PoE Texas LAN, and your IPV4 IP address information. If it shows "Automatic", that means you're getting a dynamically assigned IP address.
3. If you'd like to reconfigure the IP address, DNS, and HTTP Proxy settings, you can do that here.  
The most used option will be fixing your IP address by selecting the "Automatic" button.

