



Model: WS RETROFIT FOR IPAD 10TH GEN
BLACK / WHITE / UNPAINTED

Family: WALL-SMART

DWG NO. 002-4-927-SPC



Model No.: 002-1-927-BL/-WH/-WO

PRODUCT SPEC.

REVISION A

DATE 16/JAN./2023

Make Your Wall Smart

“WS RETROFIT FOR IPAD 10TH GEN” - Product description:

The “WS RETROFIT FOR IPAD 10TH GEN” is an adapter for in-wall nearly flush retrofit installation of iPad 10th GEN”.

The “WS RETROFIT FOR IPAD 10TH GEN” firmly mounts the iPad while allowing easy insertion, removal and operation.

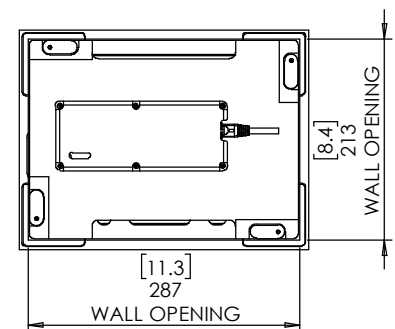
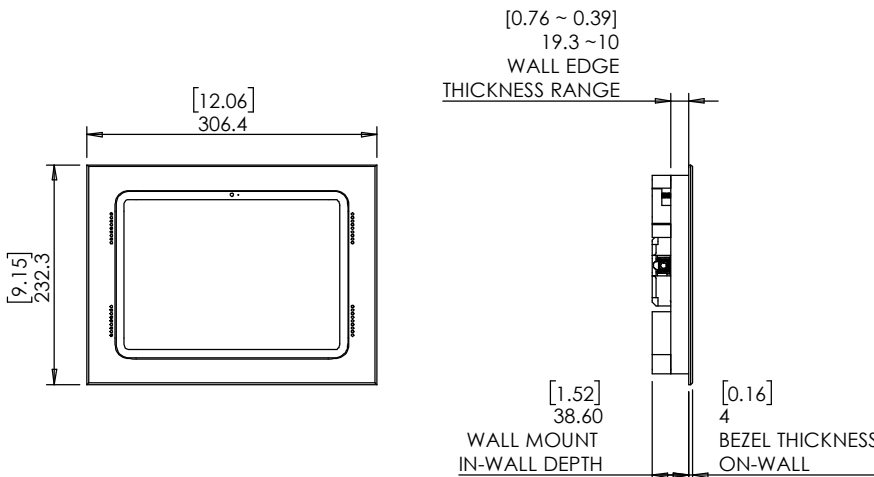
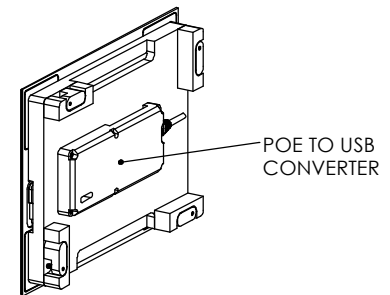
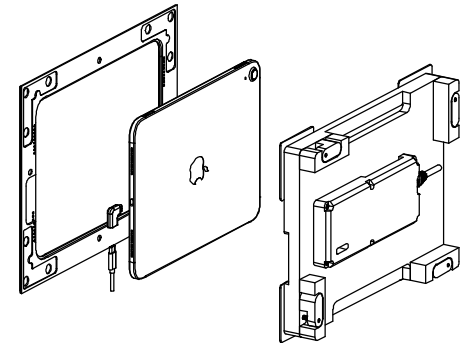
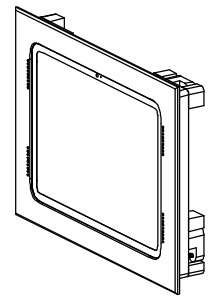
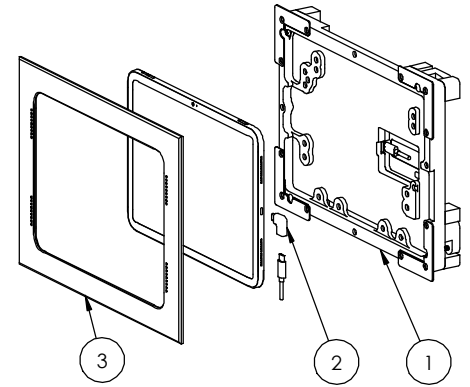
Key features and benefits:

- Nearly flush with the wall (4mm [0.16"] thick on-wall bezel).
- Wall mount may be mounted in any orientation.
- Designed for the use with iPad 10th GEN (by Apple) (iPad is not included).
- The bezel is supplied painted black (-BL), white (-WH) or unpainted (-WO)
- Adapter kit contains:
 1. Wall adapter (X1)
 2. Bezel (X1)
 3. USB-C / USB-C 90deg adaptor (X1)

Key properties:

- Dimensions: (W/H/D): 306.4mm (12.06")/ 232.3mm (9.15")/ 42.6mm (1.68")
- Power Supply: Wall mount includes POE to USB-C converter. The installer should connect the wall mount to an IEEE 802.3at POE+ power source via CAT6 cable and RJ45 connector. (Please verify the POE+ power source can supply 25.5W)
- Standard mounts supplied with charging only. In case Ethernet connectivity required, please verify availability of SKU# 002-1-927E-BL / -WH / -WO.
- Weight: 2.3Kg, 5.06lbs.
- Material: Moisture resistant MDF (compliant with TSCA Title VI)

iPad® is a trademark of Apple Inc., registered in the U.S. and other countries.





Model: WS RETROFIT FOR IPAD 10TH GEN
BLACK / WHITE / UNPAINTED

Family: WALL-SMART

DWG NO. 002-4-927-SPC

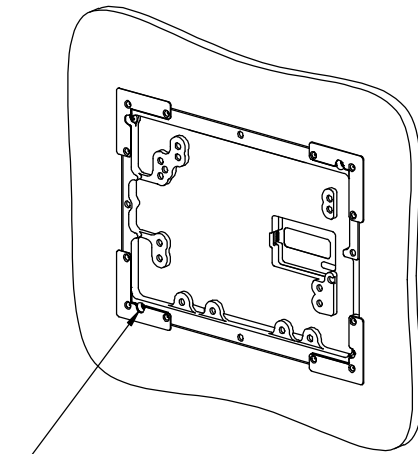
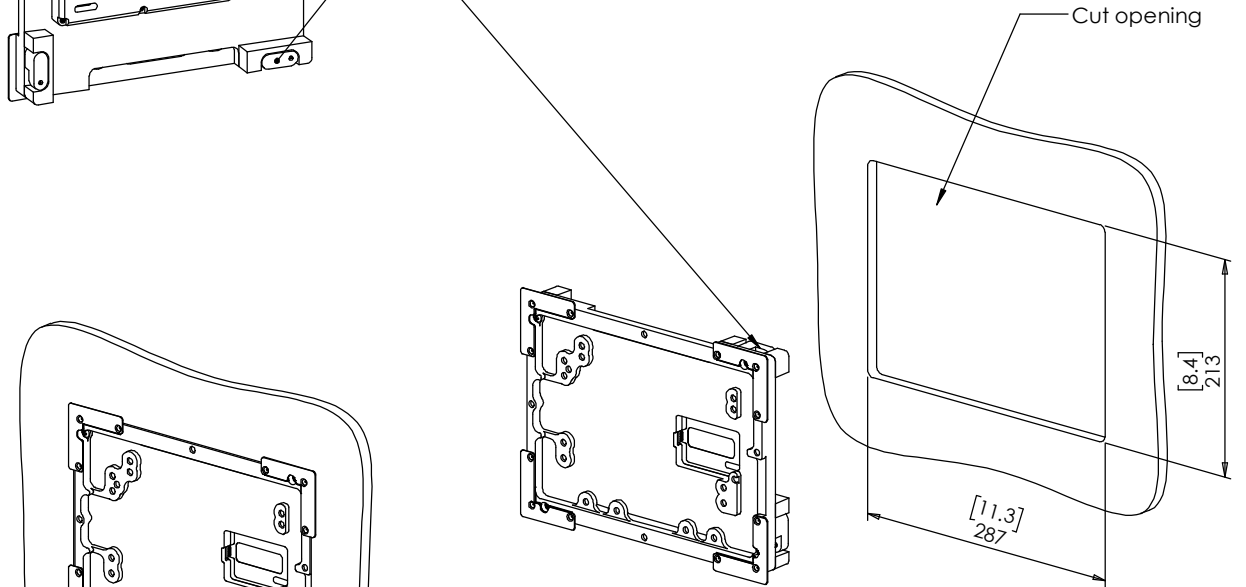
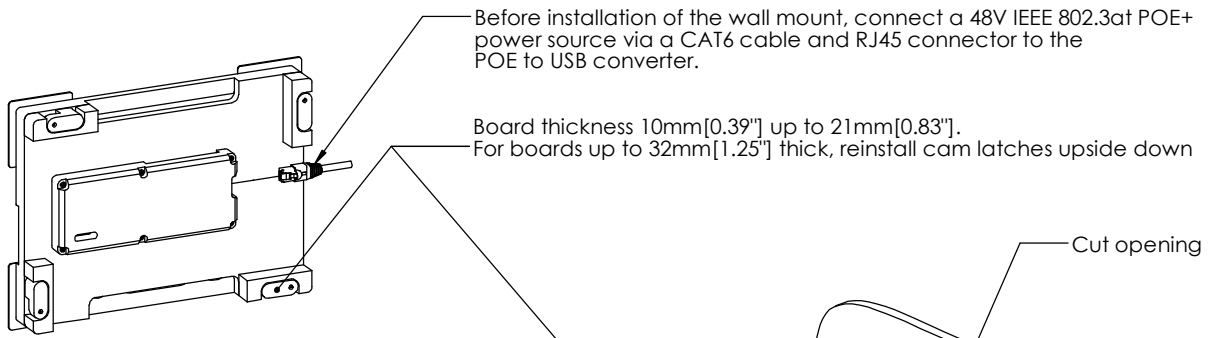


Model No.: 002-1-927-BL/-WH/-WO

PRODUCT SPEC.

REVISION A

DATE 16/JAN./2023



Insert wall mount and gently screw clockwise 4 retention screws until the cam latches retain the unit.

