



Model: WS SB FOR IPAD 10TH GEN

Model No.: 002-1-926

Family: WALL-SMART

DWG NO. 002-4-926-SPC

PRODUCT SPEC.

REVISION A

DATE 16/JAN./2023



### Make Your Wall Smart

#### “WS SB FOR IPAD 10TH GEN” - Product description:

The “WS SB FOR IPAD 10TH GEN” is an adapter for in-wall flush installation of IPAD 10<sup>th</sup> generation in solid board walls.

The “WS SB FOR IPAD 10TH GEN” firmly mounts the iPad while allowing easy insertion, removal and operation.

#### Key features and benefits:

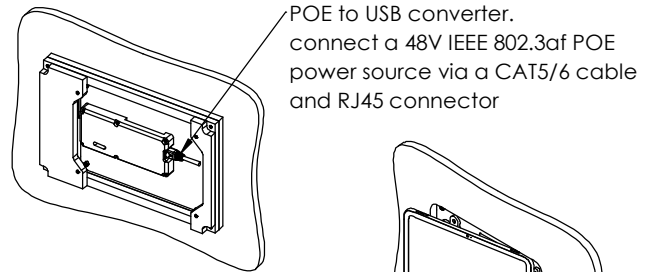
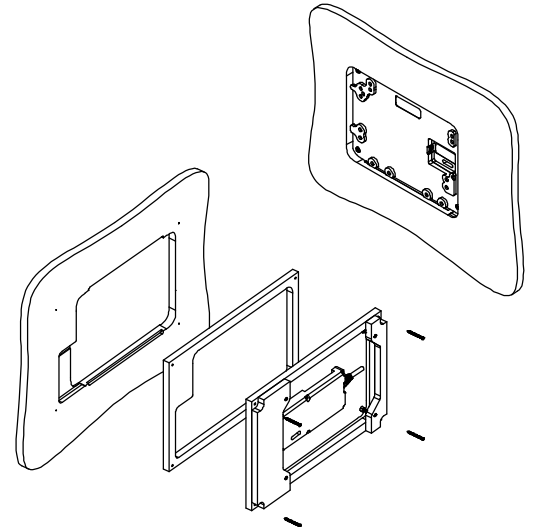
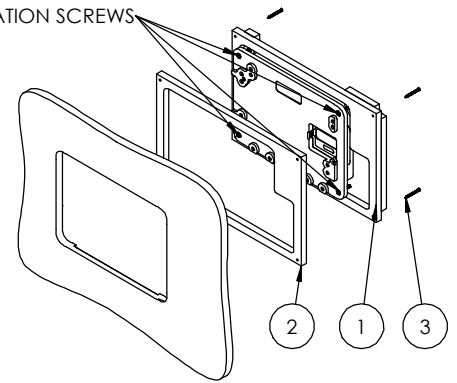
- Flush with the solid surface wall.
- Wall mount may be mounted in any orientation.
- Allows easy insertion and removal of the iPad.
- Wall mount contains depth calibration screws and spacer allowing installation in solid surface boards of 3.1 [0.12”] up to 28.36 [1.11”] thickness.
- See page 2 for routing dimensions.
- Designed for the use with iPad 10<sup>th</sup> Gen. (by Apple) (iPad is not included).
- Adapter kit contains:
  1. Wall adapter (X1)
  2. Spacer (X1)
  3. ST3x30 screws (X4)

#### Key properties:

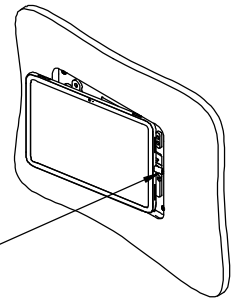
- Dimensions: (W/H/D): 324.1mm (12.76”)/ 211.5mm (8.33”)/ 34.8/ (1.37”)
- Power Supply: Wall mount includes POE to USB converter. The installer should connect the wall mount to an IEEE 802.3at POE+ power source via CAT6 cable and RJ45 connector. (Please verify the power source can supply up to 25.5W)
- Standard mounts supplied with charging only. In case Ethernet connectivity required, please verify availability of SKU# 002-1-926E.
- Weight: 0.9Kg, 1.98lbs.
- Material: Moisture resistant MDF (compliant with TSCA Title VI)

iPad® is a trademark of Apple Inc., registered in the U.S. and other countries.

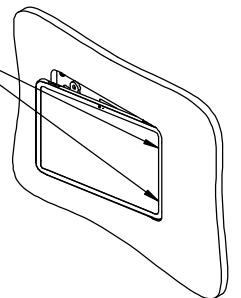
DEPTH CALIBRATION SCREWS



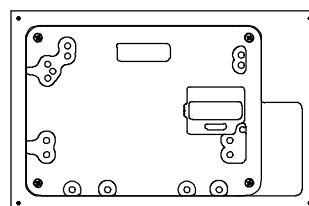
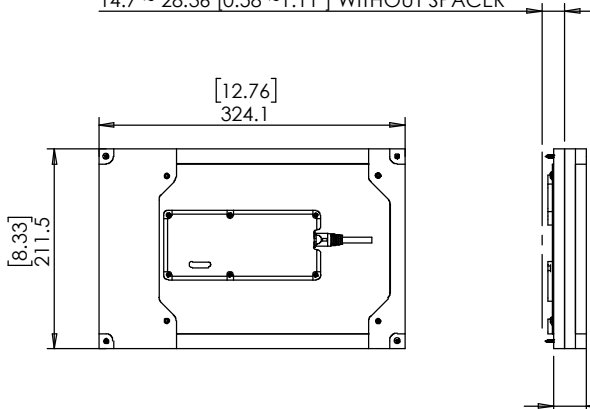
TO MOUNT THE IPAD INSERT APPLE CONNECTOR AND MAGNETICALLY DROP IPAD IN PLACE



TO REMOVE THE IPAD PUSH IN CONNECTOR SIDE EDGE



SOLID BOARD THICKNESS RANGE:  
3.1 ~ 16.7 [0.12”~0.66”] WITH SPACER  
14.7 ~ 28.36 [0.58”~1.11”] WITHOUT SPACER

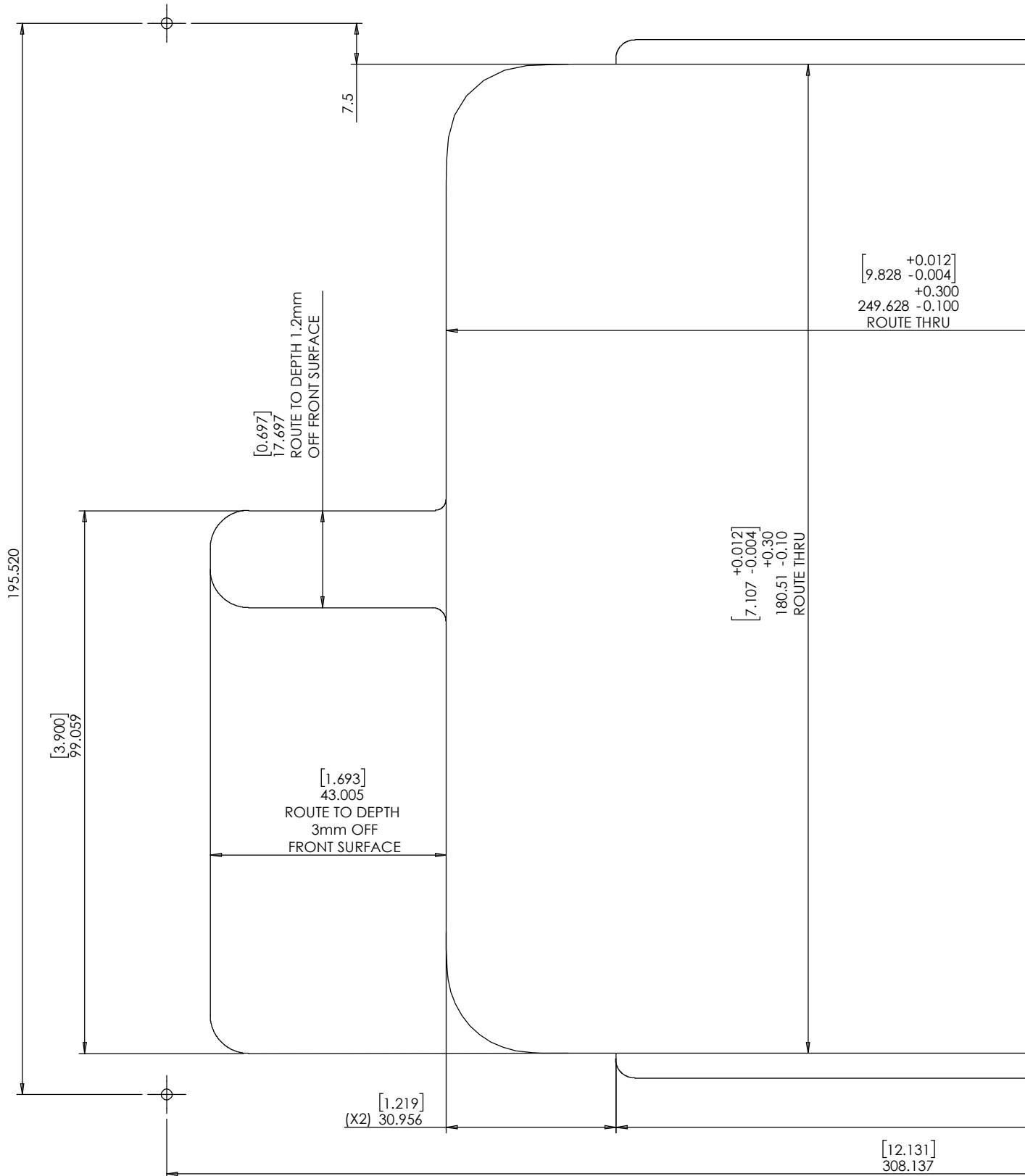


# WS SB FOR IPAD 10

## ROUTING TEMPLATE

SCALE 1:1

CONTACT WALL-SMART FOR COMPLETE TEMPLATE IN DXF FORMAT



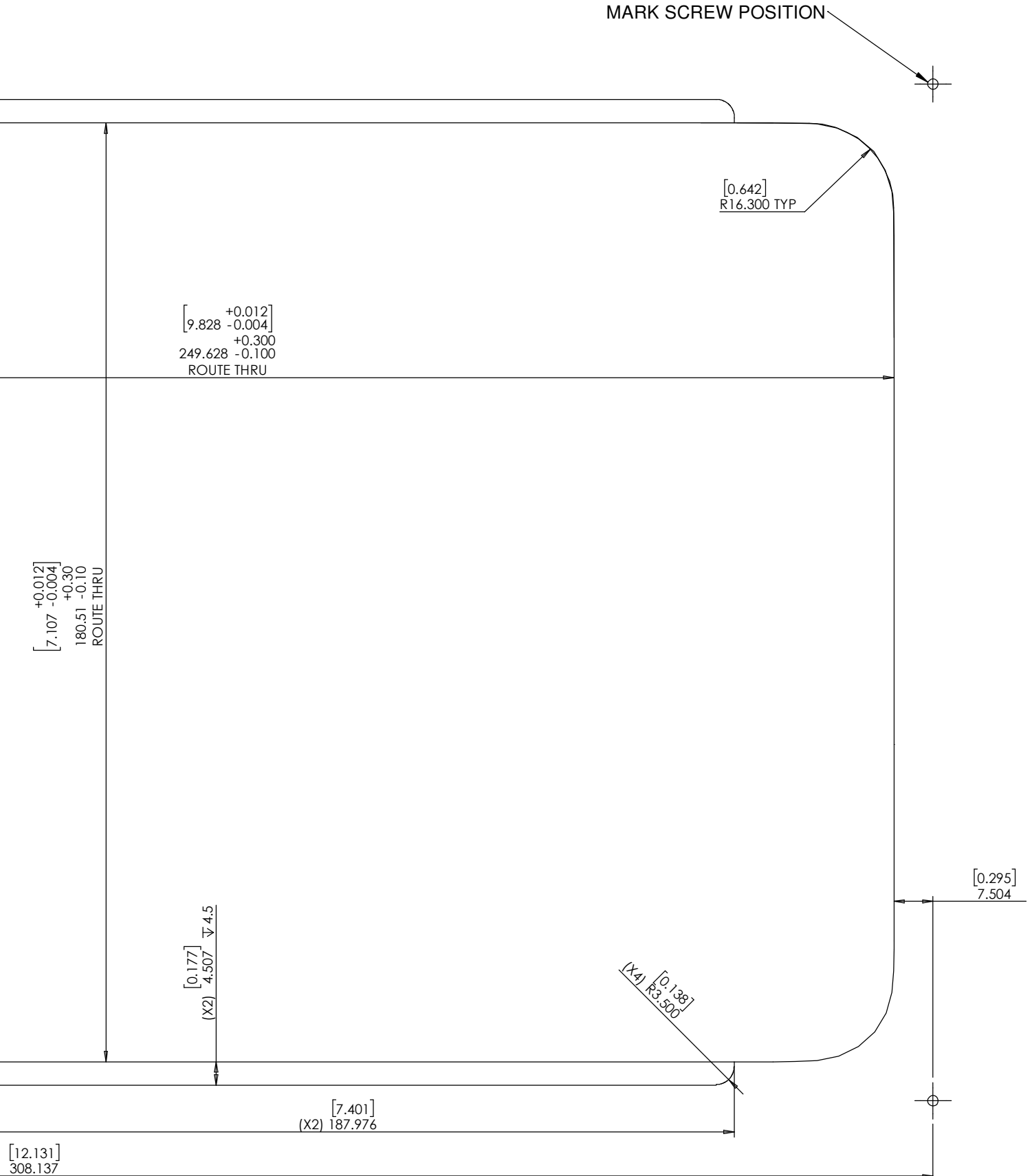
**PRINT IN 100% SCALE ON A4 PAPER!**

# WS SB FOR IPAD 10

## ROUTING TEMPLATE

SCALE 1:1

MARK SCREW POSITION



**PRINT IN 100% SCALE ON A4 PAPER!**

CONTACT WALL-SMART FOR COMPLETE TEMPLATE IN DXF FORMAT