



Model: WS RETROFIT FOR IPAD AIR4
BLACK / WHITE / UNPAINTED

Family: WALL-SMART

DWG NO. 002-4-873-SPC



Model No.: 002-1-873-BL / -WH / -WO

PRODUCT SPEC.

REVISION A

DATE 22/Oct./2020

Make Your Wall Smart

“WS RETROFIT FOR IPAD AIR4” - Product description:

The “WS RETROFIT FOR IPAD AIR4” is an adapter for in-wall nearly flush retrofit installation of iPad Air 4th Gen.

The “WS RETROFIT FOR IPAD AIR4” firmly mounts the iPad while allowing easy insertion, removal and operation.

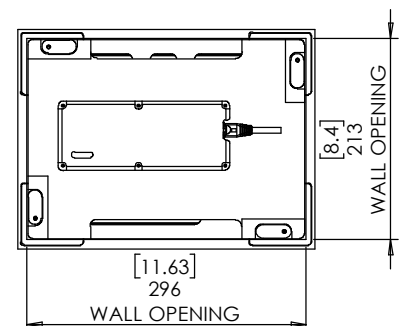
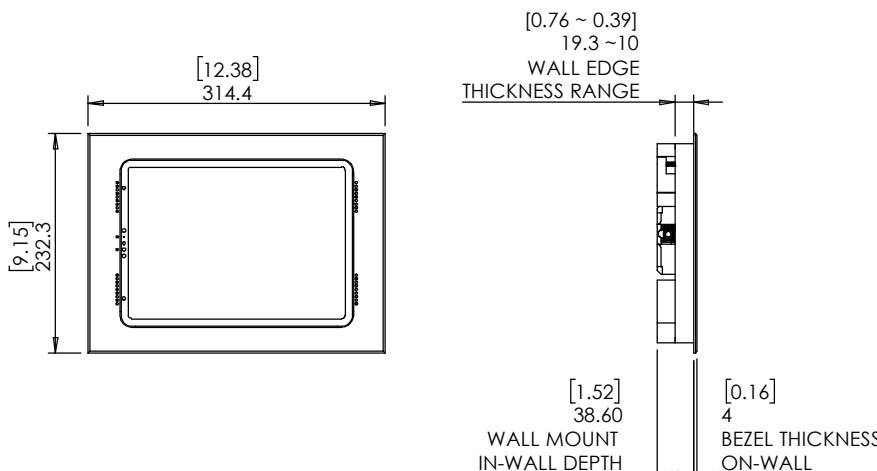
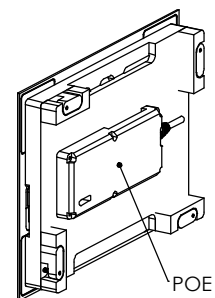
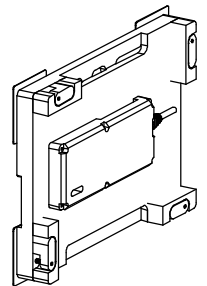
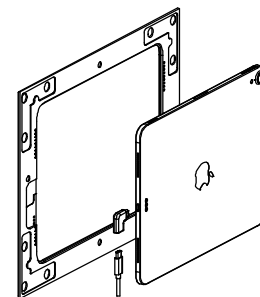
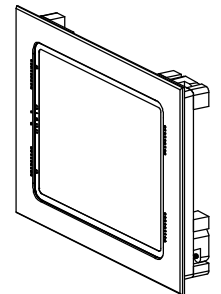
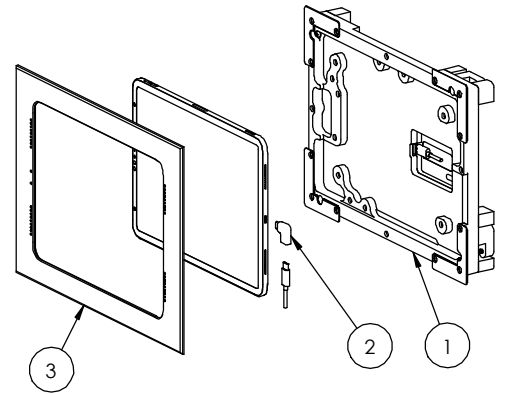
Key features and benefits:

- Nearly flush with the wall (4mm [0.16"] thick on-wall bezel).
- Wall mount may be mounted in any orientation.
- Designed for the use with iPad Air 4th Gen. (by Apple) (iPad is not included).
- Adapter kit contains:
 1. (X1) Wall adapter;
 2. (X1) Bezel;
 3. (X1) USB-C / USB-C 90deg adaptor;
- The bezel is supplied painted black (-BL), white (-WH) or unpainted (-WO).

Key properties:

- Dimensions: (W/H/D): 314.4mm (12.38")/ 232.3mm (9.15")/ 42.6mm (1.68")
- Power Supply: Wall mount includes POE to USB-C converter. The installer should connect the wall mount to an IEEE 802.3at POE+ power source via CAT6 cable and RJ45 connector. (Please verify the POE+ power source can supply 25.5W)
- Weight: 2.3Kg, 5.06lbs.
- Material: Moisture resistant MDF (compliant with TSCA Title VI)

iPad® is a trademark of Apple Inc., registered in the U.S. and other countries.





Model: WS RETROFIT FOR IPAD AIR4
BLACK / WHITE / UNPAINTED

Family: WALL-SMART

DWG NO. 002-4-873-SPC

Model No.: 002-1-873-BL / -WH / -WO

PRODUCT SPEC.

REVISION A

DATE 22/Oct./2020

