



Model: WS SB FOR IPAD Air 4&5 & Pro11 3&4 & Air 11M2 +ETHERNET

Model No.: 002-1-837E

Family: WALL-SMART

DWG NO. 002-4-837E-SPC

PRODUCT SPEC.

REVISION A

DATE 26/MAY/2024



**Make Your Wall Smart**

**“WS SB FOR IPAD Air 4&5 & Pro11 3&4 & Air 11M2 +ETHERNET” - Product description:**

The “WS SB FOR IPAD Air 4&5 & Pro11 3&4 & Air 11M2 +ETHERNET” is an adapter for in-wall flush installation of iPad Air 4<sup>th</sup> & 5<sup>th</sup> Gen., iPad Pro 3<sup>rd</sup> & 4<sup>th</sup> Gen. & iPad Air 11” M2 in solid Board walls.  
The “WS SB FOR IPAD Air 4&5 & Pro11 3&4 & Air 11M2 +ETHERNET” firmly mounts the iPad while allowing easy insertion, removal and operation.

**Key features and benefits:**

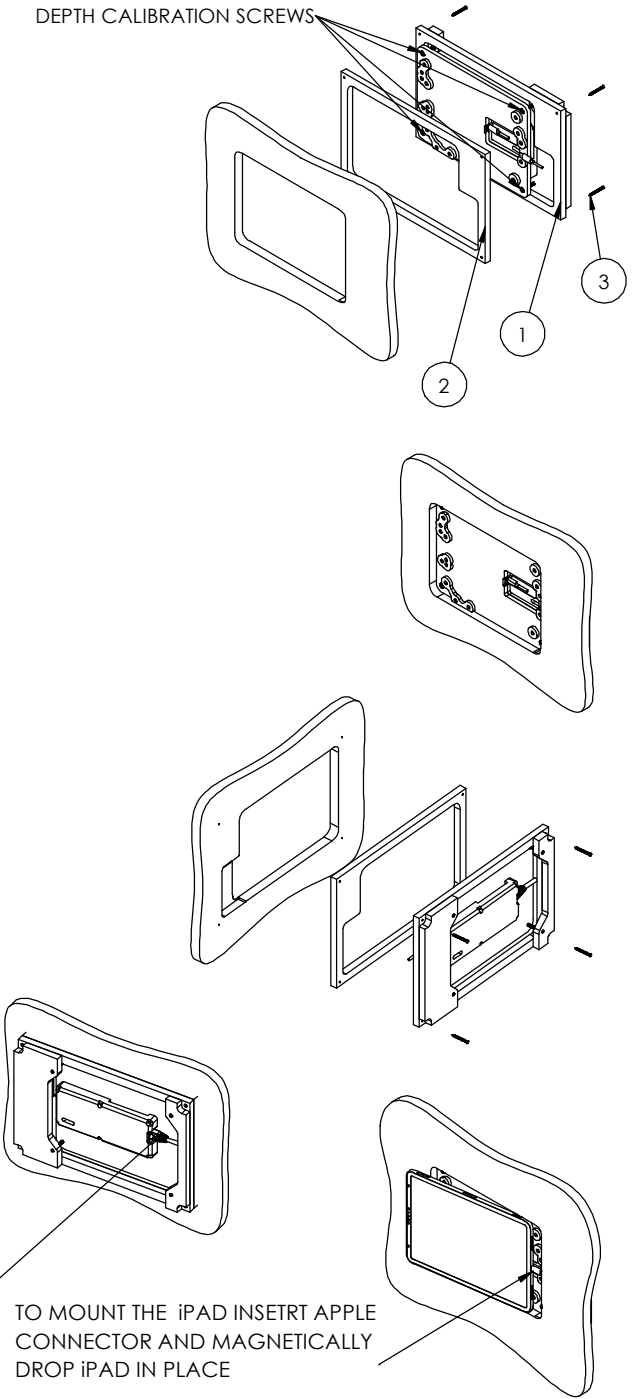
- Flush with the solid surface wall.
- Wall mount may be mounted in any orientation.
- Allows easy insertion and removal of the iPad.
- Wall mount contains depth calibration screws and spacer allowing installation in solid surface boards of 1 [0.04”] up to 27.3 [1.08”] thickness.
- Includes 10/100 ethernet connectivity.
- See page 3 for routing dimensions.
- Designed for the use with iPad Air 4<sup>th</sup> & 5<sup>th</sup> Gen., iPad Pro 3<sup>rd</sup> & 4<sup>th</sup> Gen. & iPad Air 11” M2 (by Apple) (iPad is not included).
- Adapter kit contains:
  1. Wall adapter (X1)
  2. Spacer (X1)
  3. ST3x30 screws (X4)

**Key properties:**

- Dimensions: (W/H/D): 324.1mm (12.76”)/ 211.5mm (8.33”)/ 34.8/ (1.37”)
- Power Supply: Wall mount includes POE to USB converter with Ethernet.  
The installer should connect the wall mount to an IEEE 802.3at POE+ power source via CAT6 cable and RJ45 connector. (Please verify the power source can supply up to 25.5W)
- See page 2 for ethernet configuration.
- In case Ethernet connectivity is not necessary, consider using SKU# 002-1-837 with charging capability only.
- Weight: 0.9Kg, 1.98lbs.
- Material: Moisture resistant MDF (compliant with TSCA Title VI)

iPad® is a trademark of Apple Inc., registered in the U.S. and other countries.

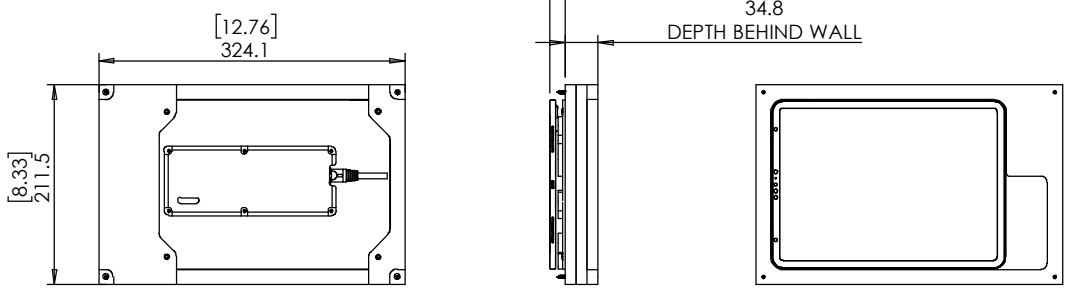
POE to USB converter with Ethernet. connect a 48V IEEE 802.3af POE power source via a CAT5/6 cable and RJ45 connector



TO MOUNT THE IPAD INSERT APPLE CONNECTOR AND MAGNETICALLY DROP IPAD IN PLACE

TO REMOVE THE IPAD PUSH IN CONNECTOR SIDE EDGE

SOLID BOARD THICKNESS RANGE:  
1.0 ~ 15.0 [0.04”~0.6”] WITH SPACER  
12.0 ~ 27.3 [0.47”~1.08”] WITHOUT SPACER





Model: WS SB FOR IPAD Air 4&5 & Pro11 3&4 & Air 11M2 +ETHERNET

Family: WALL-SMART

DWG NO. 002-4-837E-SPC

Model No.: 002-1-837E

PRODUCT SPEC.

REVISION A

DATE 26/MAY/2024



## POE to USB converter with Ethernet - Product Specifications

- USB Connector: Type C
- Data Rate: 10/100
- Input Voltage Range: 44-56 volts (IEEE 802.3at compliant)
- Max Power Output: 25 watts
- Operating Humidity: 5% to 90%
- Operating Temperature Range: -10 – 60c
- Output Voltage: 5V,2.6A; 9V,1.78A; 12V,1.34A; 15V,1.37A; 20V,1.15A
- Power Input: 25.5 watts
- iPad operation system version must be iOS 12.2 or later.

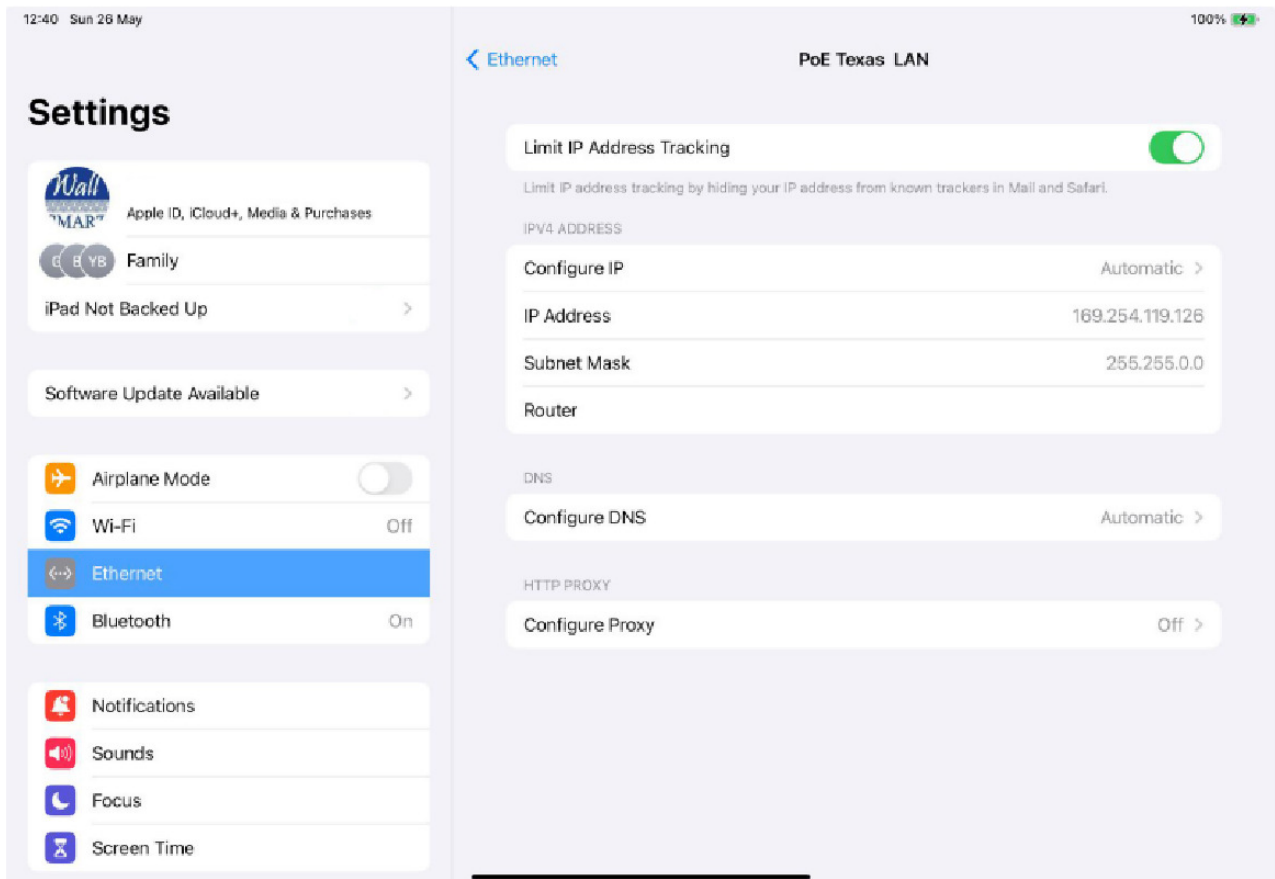
### Connection steps:

1. Plug the RJ-45 connector into an IEEE 802.3at PoE (POE+) with a data source.
2. Ensure the device you're connecting to is on and logged in.
3. Plug the USB-C connector into the mount.

The converter will automatically set up the network connection with your device and begin charging.

### Configuring the IP:

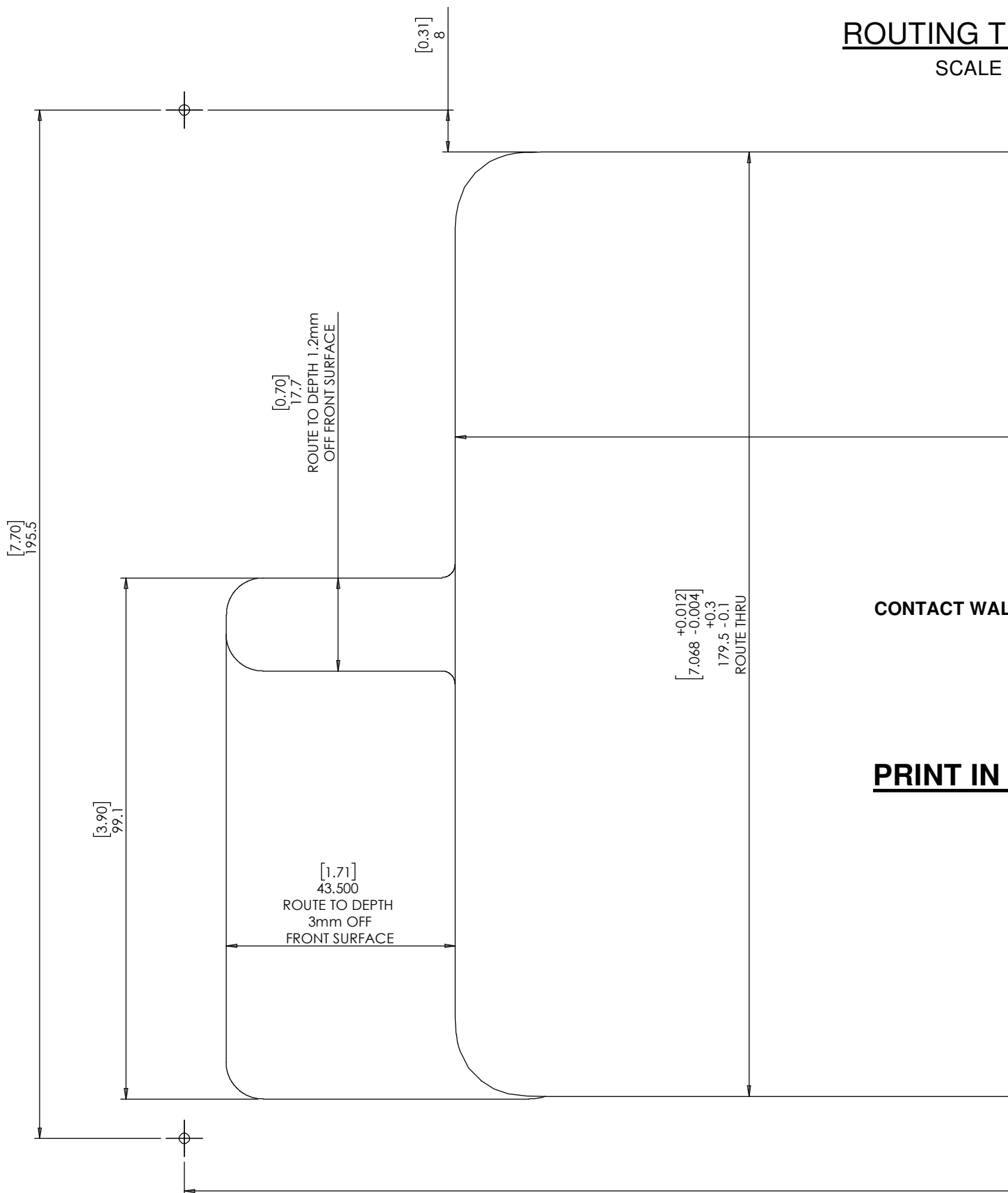
1. Navigate to Settings and go to "Ethernet".
2. After selecting you'll see all the options for PoE Texas LAN, and your IPV4 IP address information. If it shows "Automatic", that means you're getting a dynamically assigned IP address.
3. If you'd like to reconfigure the IP address, DNS, and HTTP Proxy settings, you can do that here. The most used option will be fixing your IP address by selecting the "Automatic" button.



ROUTING T  
SCALE

CONTACT WAL

PRINT IN



# SB FOR IPAD Air 4&5 & Pro11 3&4 & Air 11M2

## ROUTING TEMPLATE

SCALE 1:1

MARK SCREW POSITION



[0.53]  
R13.5 TYP

[9.789 +0.012  
-0.004]  
+0.3  
248.6 -0.1  
ROUTE THRU

CONTACT WALL-SMART FOR COMPLETE TEMPLATE IN DXF FORMAT

**PRINT IN 100% SCALE ON A3 PAPER!**

[0.31]  
8

[12.13]  
308.1

