



Model: WS SB FOR IPAD PRO 11 2ND GEN

Model No.: 002-1-873

Family: WALL-SMART

DWG NO. 002-4-837-SPC

PRODUCT SPEC.

REVISION A

DATE 26/MAY/2021



### Make Your Wall Smart

#### “WS SB FOR IPAD PRO 11 2<sup>ND</sup> GEN” - Product description:

The “WS SB FOR IPAD PRO 11 2<sup>ND</sup> GEN” is an adapter for in-wall flush installation of IPAD PRO 11 2<sup>ND</sup> GEN in solid Board walls. The “WS SB FOR IPAD PRO 11 2<sup>ND</sup> GEN” firmly mounts the iPad while allowing easy insertion, removal and operation.

#### Key features and benefits:

- Flush with the solid surface wall.
- Wall mount may be mounted in any orientation.
- The iPad home button remains accessible.
- Allows easy insertion and removal of the iPad.
- Wall mount contains depth calibration screws and spacer allowing installation in solid surface boards of 1 [0.04”] up to 27.3 [1.08”] thickness.
- See page 2 for routing dimensions.
- Designed for the use with iPad PRO 11 2<sup>ND</sup> GEN (by Apple) (iPad is not included).
- Adapter kit contains:
  1. (X1) Wall adapter
  2. (X1) Spacer
  3. (X4) ST3x30 screws
  4. (X1) Suction cup

#### Key properties:

- Dimensions: (W/H/D): 324.1mm (12.76”)/ 211.5mm (8.33”)/ 34.8/ (1.37”)
- Power Supply: Wall mount includes POE to USB converter. The installer should connect the wall mount to an IEEE 802.3at POE+ power source via CAT6 cable and RJ45 connector. (Please verify the power source can supply up to 25.5W)
- Weight: 0.9Kg, 1.98lbs.
- Material: Moisture resistant MDF (compliant with TSCA Title VI)

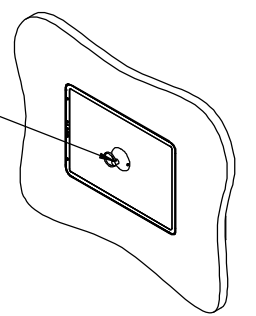
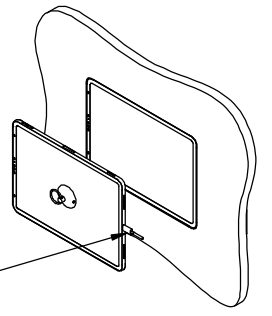
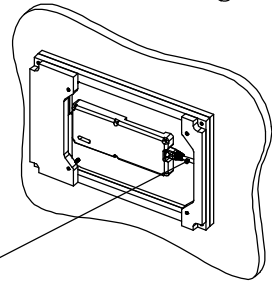
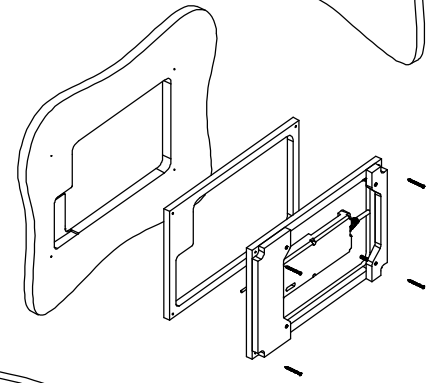
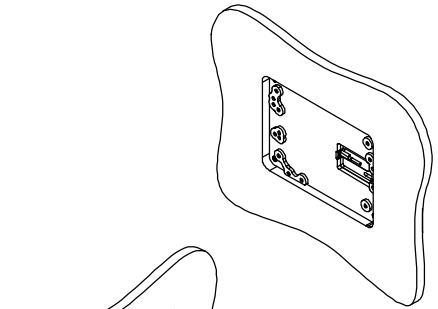
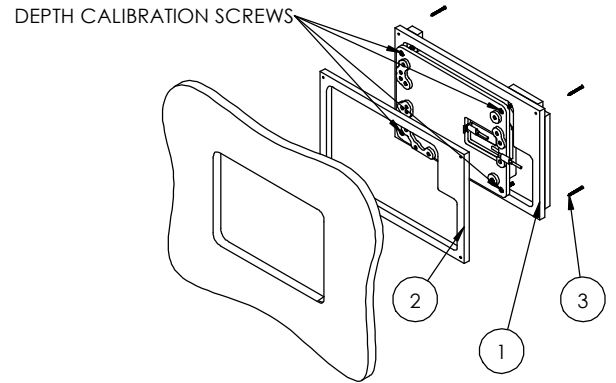
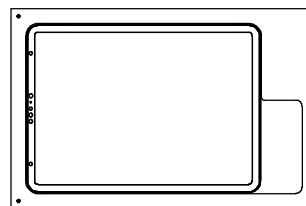
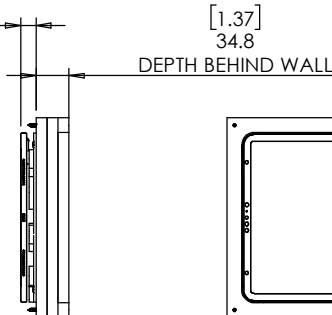
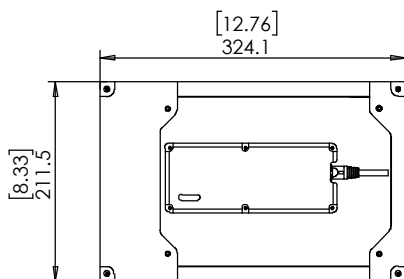
iPad® is a trademark of Apple Inc., registered in the U.S. and other countries.

POE to USB converter.  
connect a 48V IEEE 802.3af POE power source via a CAT5/6 cable and RJ45 connector

TO MOUNT THE IPAD INSERT APPLE CONNECTOR AND MAGNETICALLY DROP IPAD IN PLACE

TO REMOVE THE IPAD USE THE SUCTION CUP

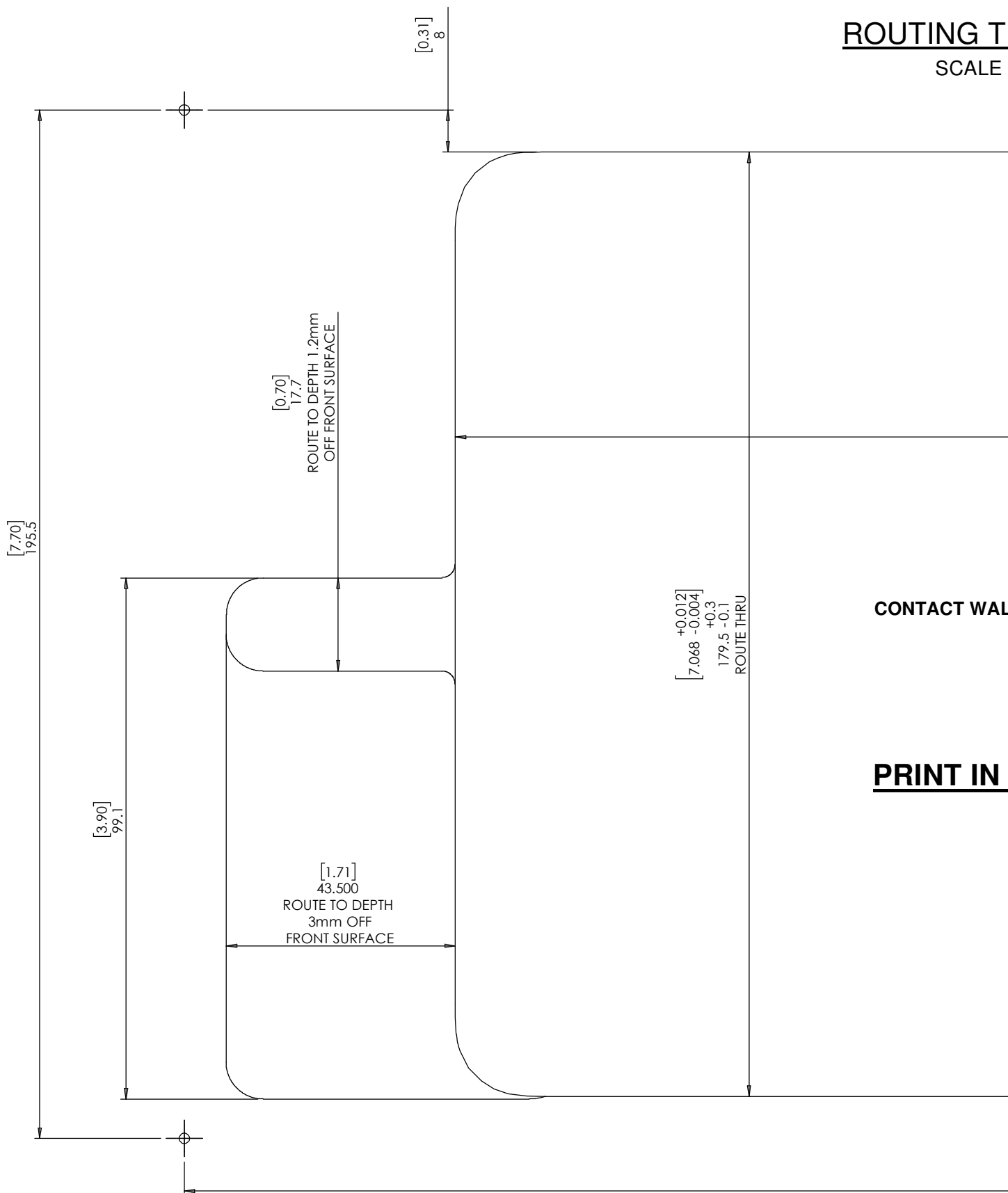
SOLID BOARD THICKNESS RANGE:  
1.0 ~ 15.0 [0.04”~0.6”] WITH SPACER  
12.0 ~ 27.3 [0.47”~1.08”] WITHOUT SPACER



ROUTING T  
SCALE

CONTACT WAL

PRINT IN



# SB FOR IPAD PRO 11" 2nd GEN

## ROUTING TEMPLATE

SCALE 1:1

MARK SCREW POSITION



[0.53]  
R13.5 TYP

[  
9.789 +0.012  
-0.004  
+0.3  
248.6 -0.1  
ROUTE THRU

CONTACT WALL-SMART FOR COMPLETE TEMPLATE IN DXF FORMAT

**PRINT IN 100% SCALE ON A3 PAPER!**

[0.31]  
8

[12.13]  
308.1

