



Model: WS SB FOR IPAD MINI

Model No.: 002-1-608

Family: WALL-SMART

DWG NO. 002-4-608-SPC

PRODUCT SPEC.

REVISION A

DATE 17/FEB/2020



Make Your Wall Smart

“WS SB FOR IPAD MINI” - Product description:

The “WS SB FOR IPAD MINI” is an adapter for in-wall flush installation of iPad in solid Board walls.

The “WS SB FOR IPAD MINI” firmly mounts the iPad while allowing easy insertion, removal and operation.

Key features and benefits:

- Flush with the solid surface wall.
- Wall mount may be mounted in any orientation.
- The iPad home button remains accessible.
- Allows easy insertion and removal of the iPad.
- Wall mount contains depth calibration screws and spacer allowing installation in solid surface boards of 4.5 [0.18"] up to 31.5 [1.24"] thickness.
- See page 2 for routing dimensions.
- Designed for the use with iPad MINI5 (by Apple) (iPad is not included).
- Adapter kit contains:
 - (X1) Wall adapter (item #1)
 - (X2) Wall-Smart rubber pads (item #2)
 - (X1) Pads Positioning Template (item #3)
 - (X1) Spacer (item #4)
 - (X4) ST3x30 screws (item #5)

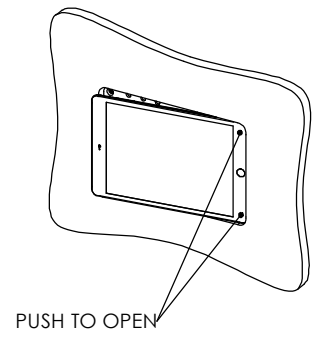
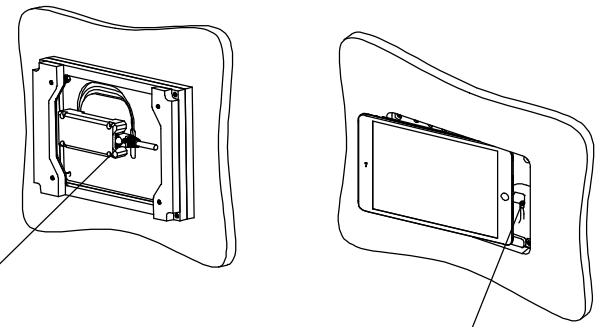
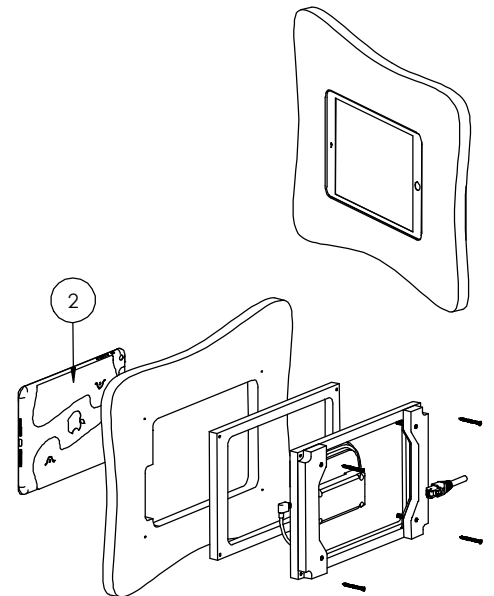
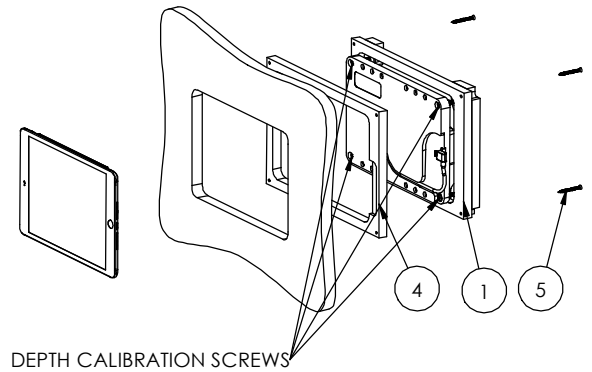
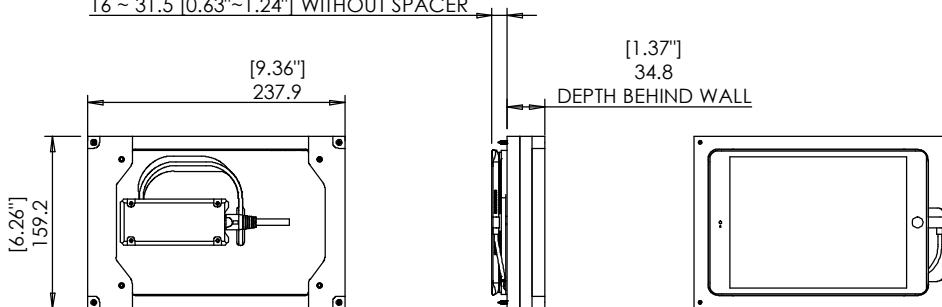
Key properties:

- Dimensions: (W/H/D): 237.9mm (9.36")/ 159.2mm (6.26")/ 40.5mm (1.59")
- Power Supply: Wall mount includes POE to USB converter. The installer should connect the wall mount to an IEEE 802.3at POE+ power source via CAT6 cable and RJ45 connector. (Please verify the power source can supply up to 25.5W)
- Weight: 0.9Kg, 1.98lbs.
- Material: Moisture resistant MDF (compliant with TSCA Title VI)

iPad® is a trademark of Apple Inc., registered in the U.S. and other countries.

POE to USB converter.
connect a 48V IEEE 802.3af POE+ power source via a CAT5/6 cable and RJ45 connector

SOLID BOARD THICKNESS RANGE:
4.5 ~ 20.3 [0.18"~0.8"] WITH SPACER
16 ~ 31.5 [0.63"~1.24"] WITHOUT SPACER





Model: WS SB FOR IPAD MINI

Family: WALL-SMART

DWG NO. 002-4-608-SPC

Model No.: 002-4-608

PRODUCT SPEC.

REVISION A

DATE 17/FEB/2020

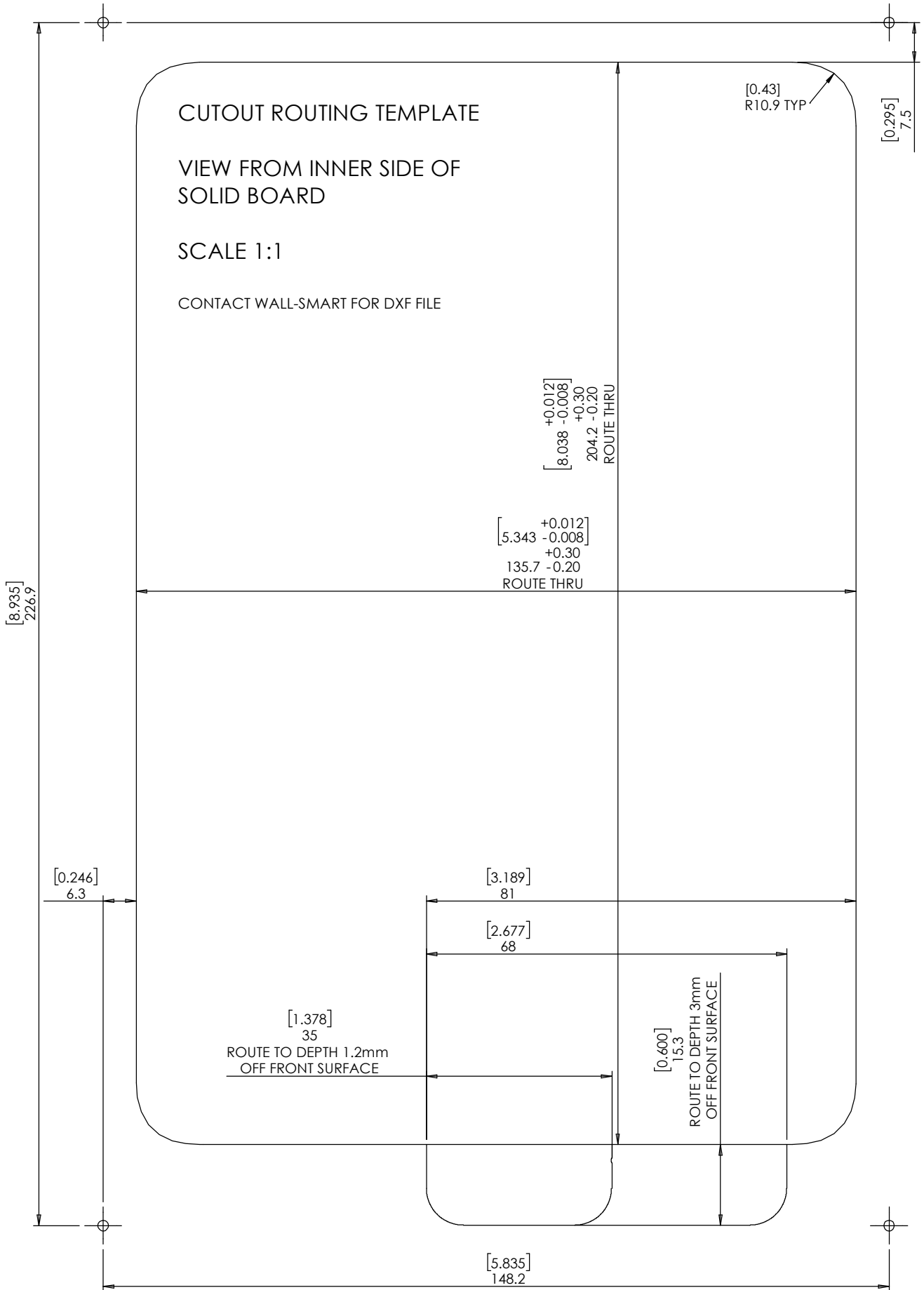


CUTOUT ROUTING TEMPLATE

VIEW FROM INNER SIDE OF
SOLID BOARD

SCALE 1:1

CONTACT WALL-SMART FOR DXF FILE





Model: WS SB FOR IPAD MINI

Model No.: 002-1-608

Family: WALL-SMART

DWG NO. 002-4-608-SPC

PRODUCT SPEC.

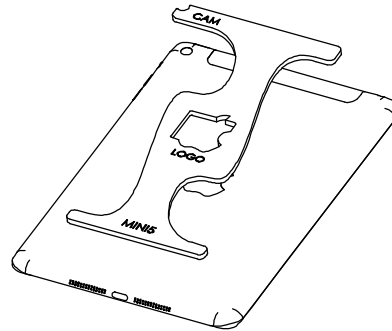
REVISION A

DATE 17/FEB/2020

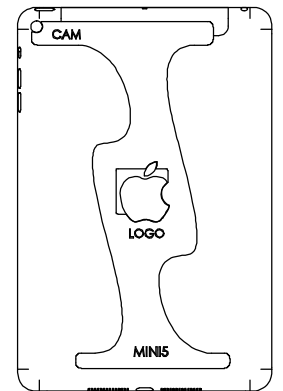


Wall-Smart rubber pads installation:

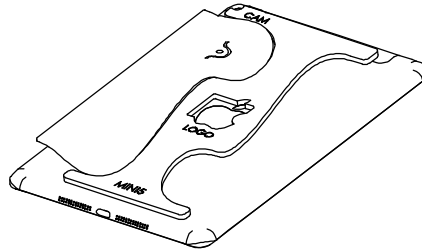
1. Clean iPads back surface.
2. Position template.



3. Align template cutouts with Apple logo and cam.



4. Remove protective tape of a rubber back adhesive.
5. Align rubber pad to template while maintaining the position of the template.
6. Adhere the rubber pad to the iPad gradually from template to the iPad edge.



7. Press down from the center of the rubber pad and towards the pad edges to remove air bubbles.
8. Push down the edges of the rubber pad to close all gaps.
9. Repeat steps 4-8 for second rubber pad.
10. Remove the template and wait 6 mins before mounting.

