



Model: WS RETROFIT FOR IPAD MINI6 +ETHERNET
BLACK / WHITE / UNPAINTED

Family: WALL-SMART

DWG NO. 002-4-424E-SPC



Model No.: 002-1-424E-BL /-WH /-WO

PRODUCT SPEC.

REVISION A

DATE 28/MAY/2024

Make Your Wall Smart

“WS RETROFIT FOR IPAD MINI6 +ETHERNET” - Product description:

The “WS RETROFIT FOR IPAD MINI6 +ETHERNET” is an adapter for in-wall nearly flush retrofit installation of iPad MINI 6”.

The “WS RETROFIT FOR IPAD MINI6 +ETHERNET” firmly mounts the iPad while allowing easy insertion, removal and operation.

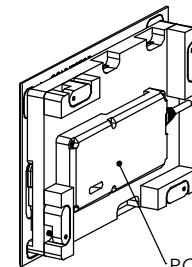
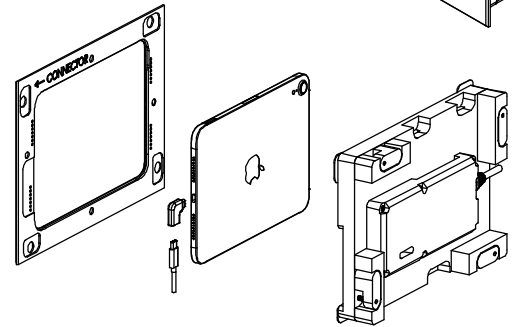
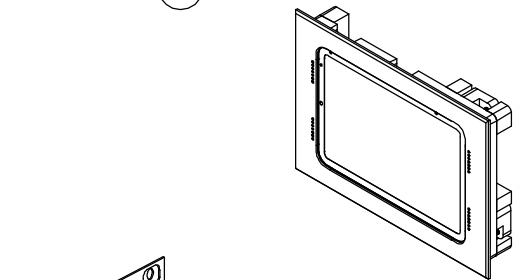
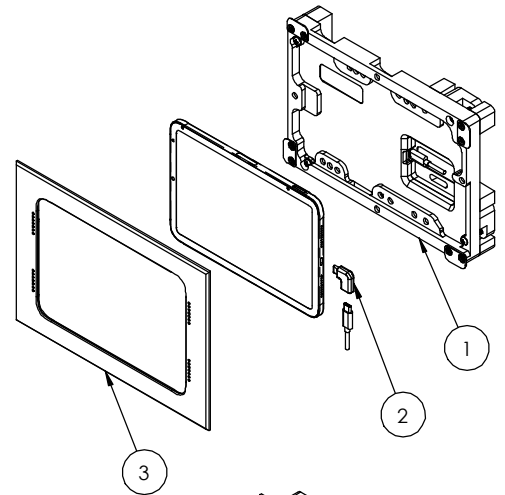
Key features and benefits:

- Nearly flush with the wall (4mm [0.16”] thick on-wall bezel).
- Wall mount may be mounted in any orientation.
- Includes 10/100 ethernet connectivity.
- The bezel is supplied painted black (-BL), white (-WH) or unpainted (-WO).
- Designed for the use with iPad MINI 6 (by Apple) (iPad is not included).
- Adapter kit contains:
 1. Wall adapter (X1)
 2. Bezel (X1)
 3. USB-C / USB-C 90deg adaptor (X1)

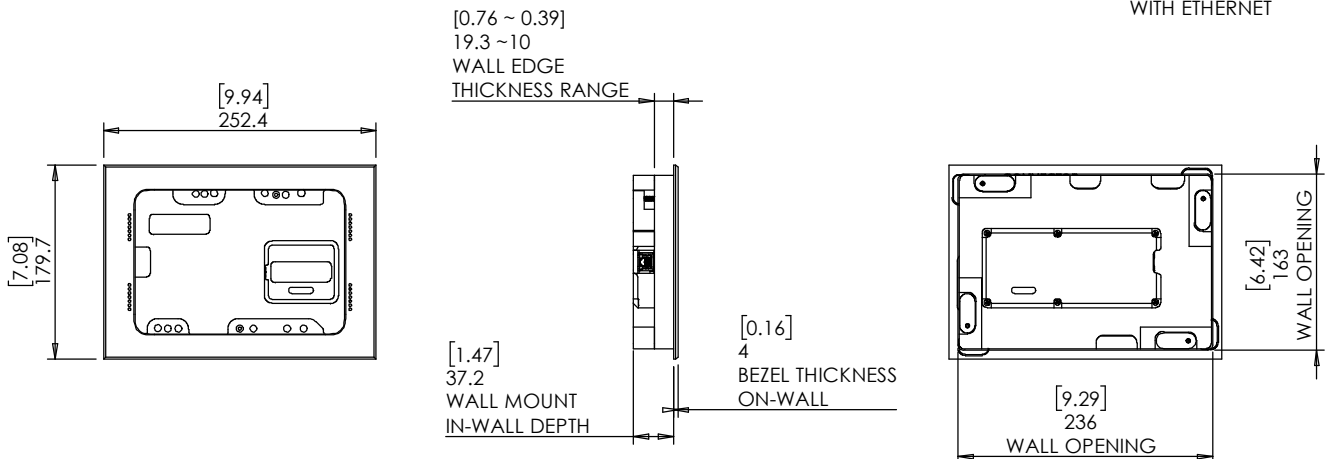
Key properties:

- Dimensions: (W/H/D): 252.4mm (9.94”)/ 179.7mm (7.08”)/ 41.2mm (1.62”)
- Power Supply: Wall mount includes POE to USB-C converter with Ethernet.
The installer should connect the wall mount to an IEEE 802.3at POE+ power source via CAT6 cable and RJ45 connector. (Please verify the POE+ power source can supply 25.5W)
- See page 3 for ethernet configuration.
- In case Ethernet connectivity is not necessary, consider using SKU# 002-1-424-BL / -WH / -WO with charging capability only.
- Weight: 0.55Kg, 1.21lbs.
- Material: Moisture resistant MDF (compliant with TSCA Title VI)

iPad® is a trademark of Apple Inc., registered in the U.S. and other countries.



POE TO USB CONVERTER WITH ETHERNET





Model: WS RETROFIT FOR IPAD MINI6 +ETHERNET
BLACK / WHITE / UNPAINTED

Family: WALL-SMART

DWG NO. 002-4-424E-SPC

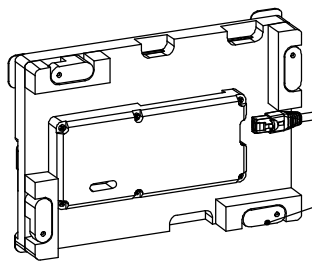


Model No.: 002-1-424E-BL /-WH /-WO

PRODUCT SPEC.

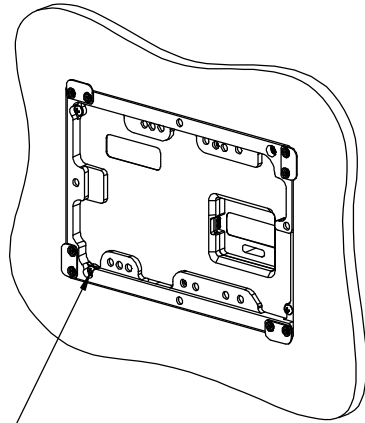
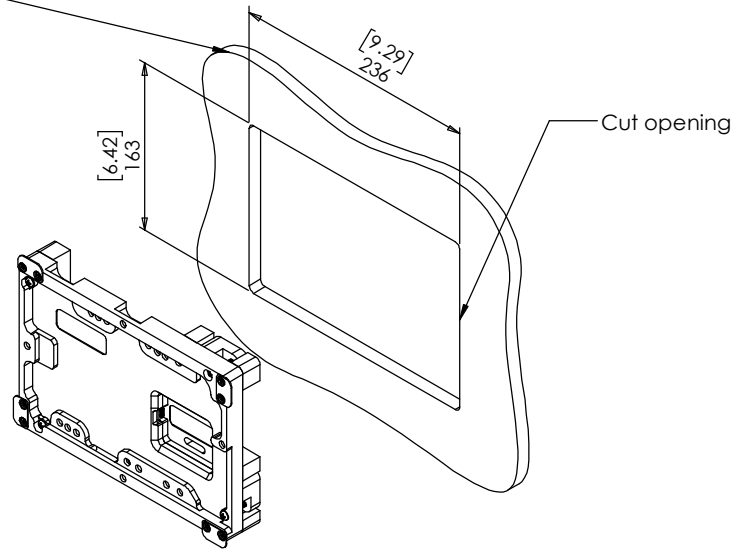
REVISION A

DATE 28/MAY/2024

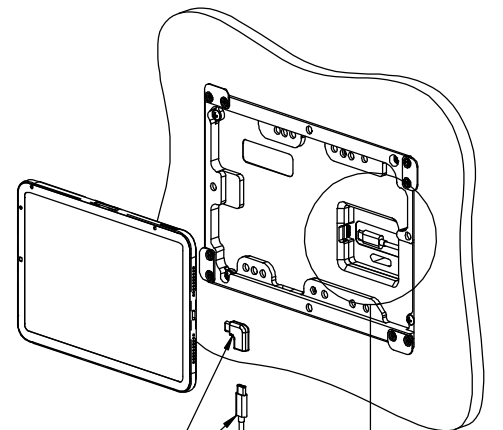
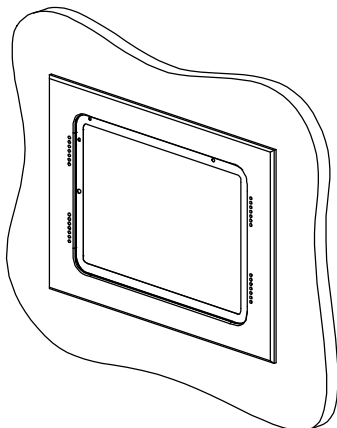


Before installation of the wall mount, connect a 48V IEEE 802.3at POE+ power source via a CAT6 cable and RJ45 connector to the POE to USB converter with ethernet.

Board thickness 10mm[0.39"] up to 21mm[0.83"].
For boards up to 32mm[1.25"] thick, reinstall cam latches upside down



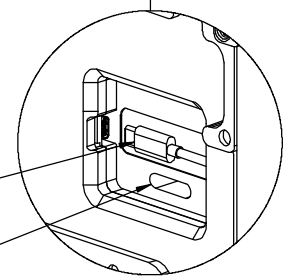
Insert wall mount and gently screw clockwise 4 retention screws until the cam latches retain the unit.



Connect USB-C/USB-C 90° adaptor and the iPad USC-C cable to the iPad

Connect iPad USB-C cable to POE to USB converter with ethernet

Hide excess cable in the cable-slit





Model: WS RETROFIT FOR IPAD MINI6 +ETHERNET
BLACK / WHITE / UNPAINTED

Family: WALL-SMART

DWG NO. 002-4-424E-SPC

Model No.: 002-1-424E-BL /-WH /-WO

PRODUCT SPEC.

REVISION A

DATE 28/MAY/2024



POE to USB converter with Ethernet - Product Specifications

- USB Connector: Type C
- Data Rate: 10/100
- Input Voltage Range: 44-56 volts (IEEE 802.3at compliant)
- Max Power Output: 25 watts
- Operating Humidity: 5% to 90%
- Operating Temperature Range: -10 – 60c
- Output Voltage: 5V,2.6A; 9V,1.78A; 12V,1.34A; 15V,1.37A; 20V,1.15A
- Power Input: 25.5 watts
- iPad operation system version must be iOS 12.2 or later.

Connection steps:

1. Plug the RJ-45 connector into an IEEE 802.3at PoE (POE+) with a data source.
2. Ensure the device you're connecting to is on and logged in.
3. Plug the USB-C connector into the mount.

The converter will automatically set up the network connection with your device and begin charging.

Configuring the IP:

1. Navigate to Settings and go to "Ethernet".
2. After selecting you'll see all the options for PoE Texas LAN, and your IPV4 IP address information. If it shows "Automatic", that means you're getting a dynamically assigned IP address.
3. If you'd like to reconfigure the IP address, DNS, and HTTP Proxy settings, you can do that here.
The most used option will be fixing your IP address by selecting the "Automatic" button.

