



Model: WS RETROFIT FOR IPAD MINI6
BLACK / WHITE / UNPAINTED

Family: WALL-SMART

DWG NO. 002-4-424-SPC



Model No.: 002-1-424-BL /-WH /-WO

PRODUCT SPEC.

REVISION A

DATE 07/OCT/2021

Make Your Wall Smart

“WS RETROFIT FOR IPAD MINI6” - Product description:

The “WS RETROFIT FOR IPAD MINI6” is an adapter for in-wall nearly flush retrofit installation of iPad MINI 6”.

The “WS RETROFIT FOR IPAD MINI6” firmly mounts the iPad while allowing easy insertion, removal and operation.

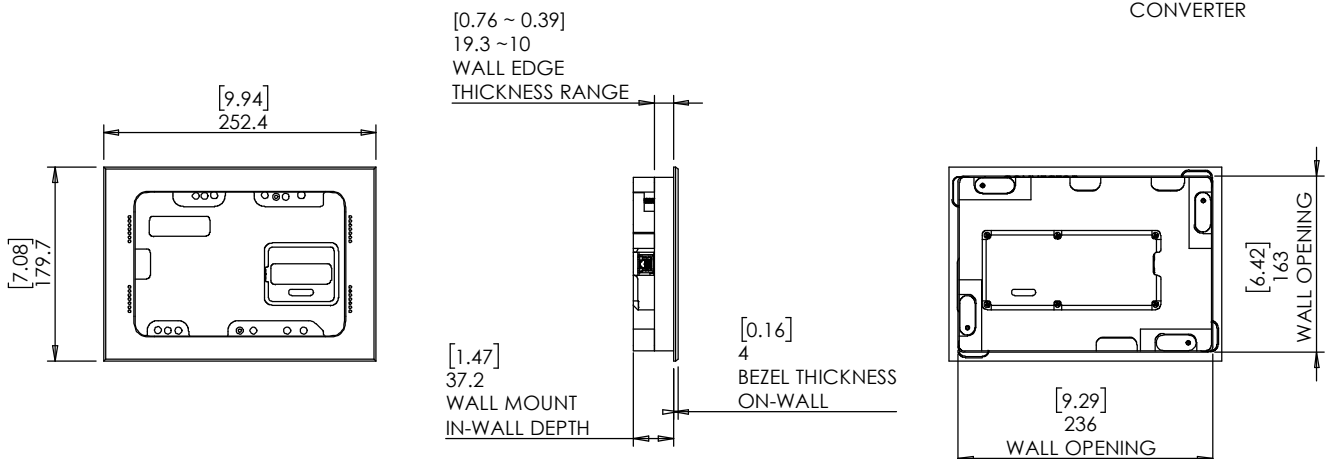
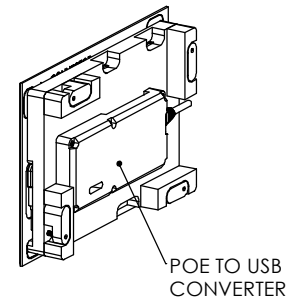
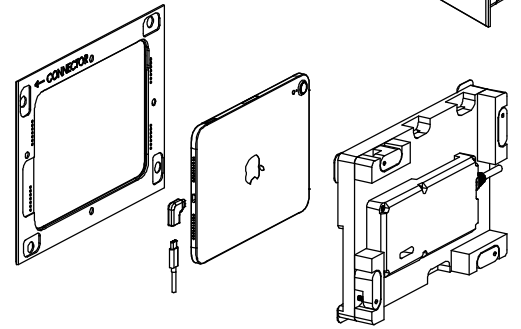
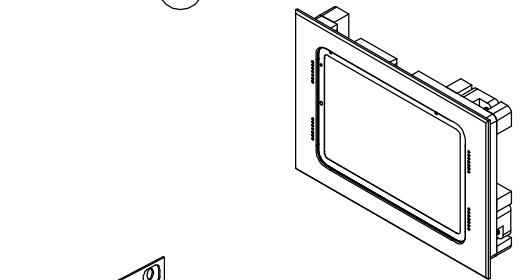
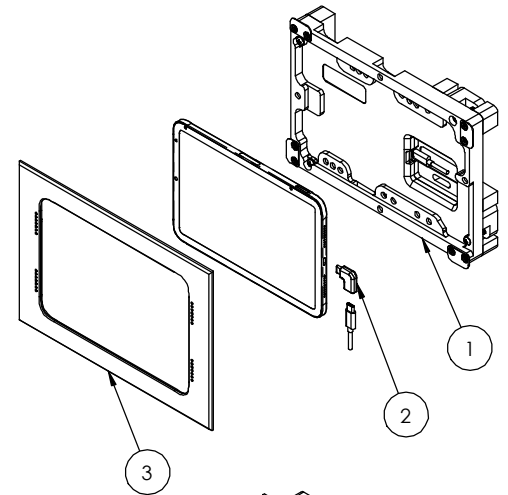
Key features and benefits:

- Nearly flush with the wall (4mm [0.16”] thick on-wall bezel).
- Wall mount may be mounted in any orientation.
- The bezel is supplied painted black (-BL), white (-WH) or unpainted (-WO).
- Designed for the use with iPad MINI 6 (by Apple) (iPad is not included).
- Adapter kit contains:
 1. Wall adapter (X1)
 2. Bezel (X1)
 3. USB-C / USB-C 90deg adaptor (X1)

Key properties:

- Dimensions: (W/H/D): 252.4mm (9.94”)/ 179.7mm (7.08”)/ 41.2mm (1.62”)
- Power Supply: Wall mount includes POE to USB-C converter. The installer should connect the wall mount to an IEEE 802.3at POE+ power source via CAT6 cable and RJ45 connector. (Please verify the POE+ power source can supply 25.5W)
- Standard mounts supplied with charging only. In case Ethernet connectivity required, Please verify availability of SKU# 002-1-424E-BL / -WH / -WO.
- Weight: 0.55Kg, 1.21lbs.
- Material: Moisture resistant MDF (compliant with TSCA Title VI)

iPad® is a trademark of Apple Inc., registered in the U.S. and other countries.





Model: WS RETROFIT FOR IPAD MINI6
BLACK / WHITE / UNPAINTED

Family: WALL-SMART

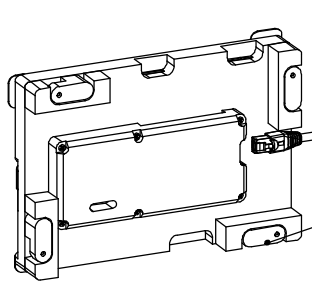
DWG NO. 002-4-424-SPC

Model No.: 002-1-424-BL /-WH /-WO

PRODUCT SPEC.

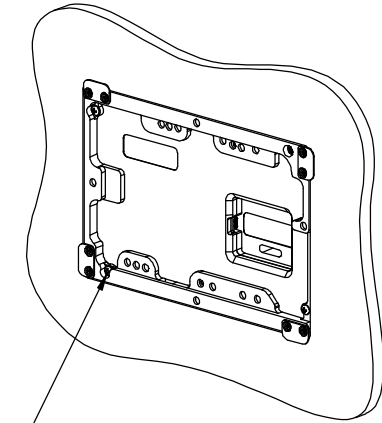
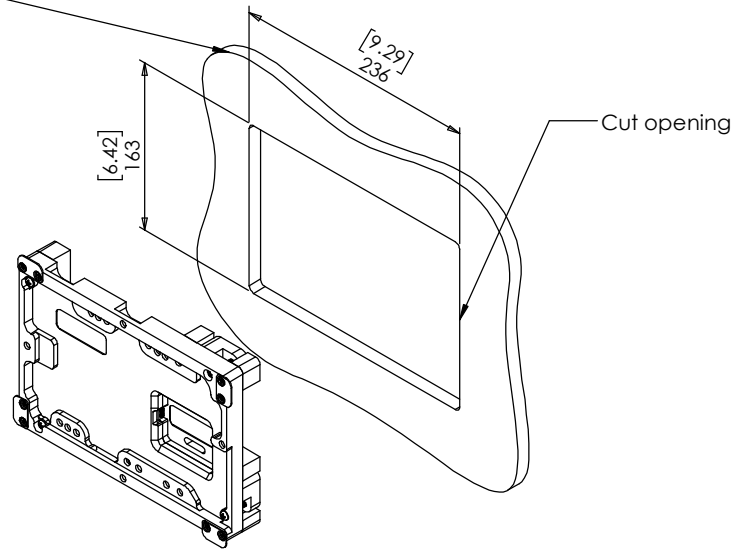
REVISION A

DATE 07/OCT/2021

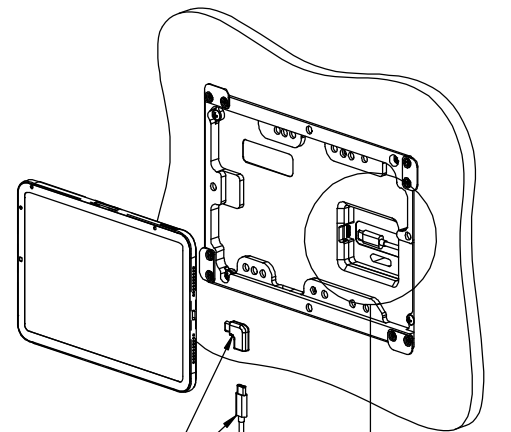
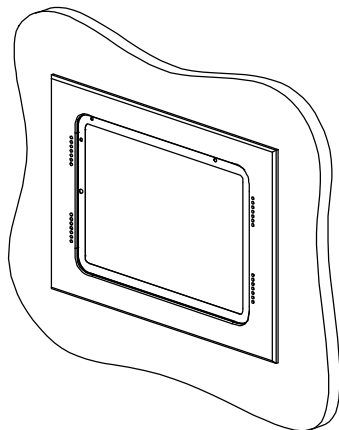


Before installation of the wall mount, connect a 48V IEEE 802.3at POE+ power source via a CAT6 cable and RJ45 connector to the POE to USB converter.

Board thickness 10mm[0.39"] up to 21mm[0.83"].
For boards up to 32mm[1.25"] thick, reinstall cam latches upside down



Insert wall mount and gently screw clockwise 4 retention screws until the cam latches retain the unit.



Connect USB-C/USB-C 90° adaptor and the iPad USC-C cable to the iPad

Connect iPad USB-C cable to POE to USB converter

Hide excess cable in the cable-slit

