



Model: WS FOR TSW-760 SOLID BOARD

Family: WALL-SMART

DWG NO. 10-04-733-SPC

Model No.: 10-01-733

PRODUCT SPEC.

REVISION A

DATE 3/Mar./2017



Make Your Wall Smart

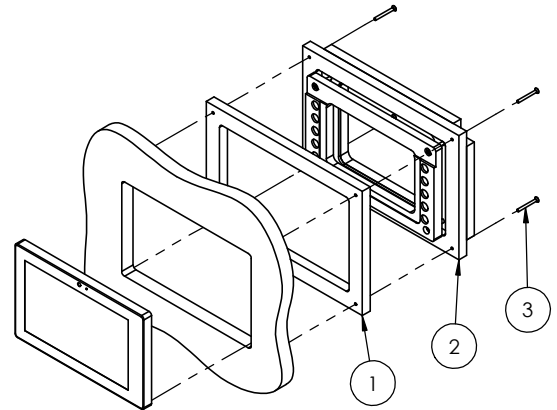
“WS FOR TSW-760 SOLID BOARD” - Product description:

The “WS FOR TSW-760 SOLID BOARD” is an adapter for in-wall flush installation of a TSW-760 touch screen in solid board walls.

The “WS FOR TSW-760 SOLID BOARD” securely mounts the touch screen while allowing easy access, insertion and removal.

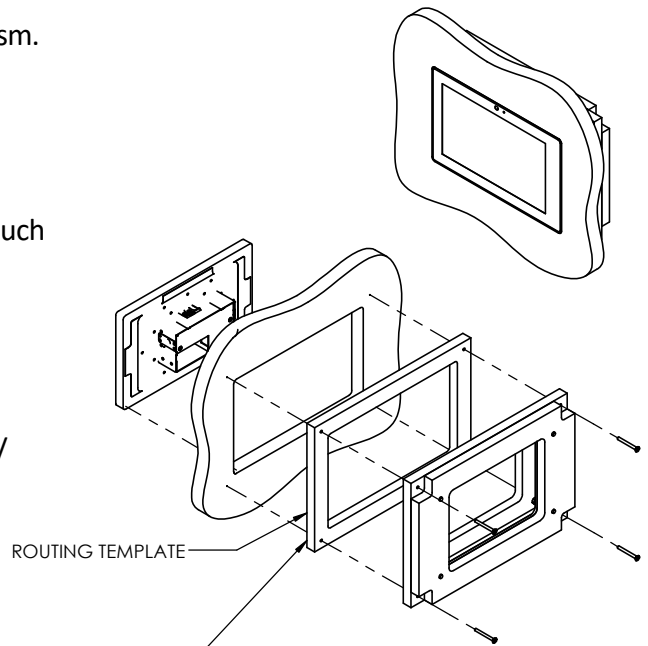
Key features and benefits:

- Flush with the wall.
- Allows easy insertion and removal of the touch screen by manual push and magnet detachment.
- Designed to be installed in 9.1 ~ 36.7mm (0.36” ~ 1.44”) thick solid boards.
- Installation adapter contains depth adjustment mechanism.
- Installation kit contain:
 - X1 routing template (item #1)
 - X1 installation adapter (item #2)
 - X4 ST3x30 screws (item #3)
- Designed for TSW-760 touch screen (by CRESTRON®) (Touch screen not included).



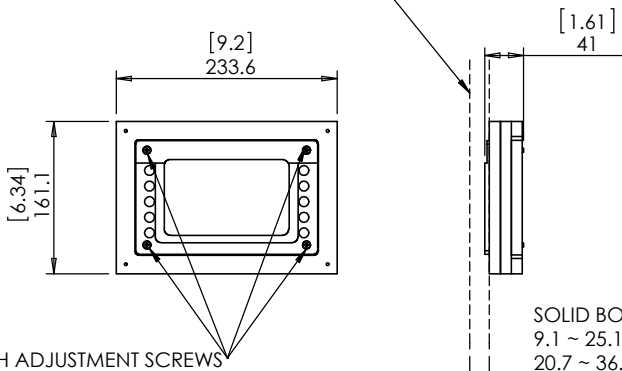
Key properties:

- Dimensions (W/H/D): 233.6mm (9.2”)/ 161.1mm (6.34”)/ 41mm (1.63”)
- Power Supply: None (manual adapter).
- Weight: 0.62Kg, 1.4lbs.
- Material: Moisture resistant MDF



FOR INSTALLATION IN BOARDS 9.1mm TO 25.1mm THICK
USE ROUTING TEMPLATE AS INSTALLATION SPACER

FRONT SURFACE OF SOLID BOARD



PUSH TO OPEN



Model: WS FOR TSW-760 SOLID BOARD

Family: WALL-SMART

DWG NO. 10-04-733-SPC

Model No.: 10-01-733

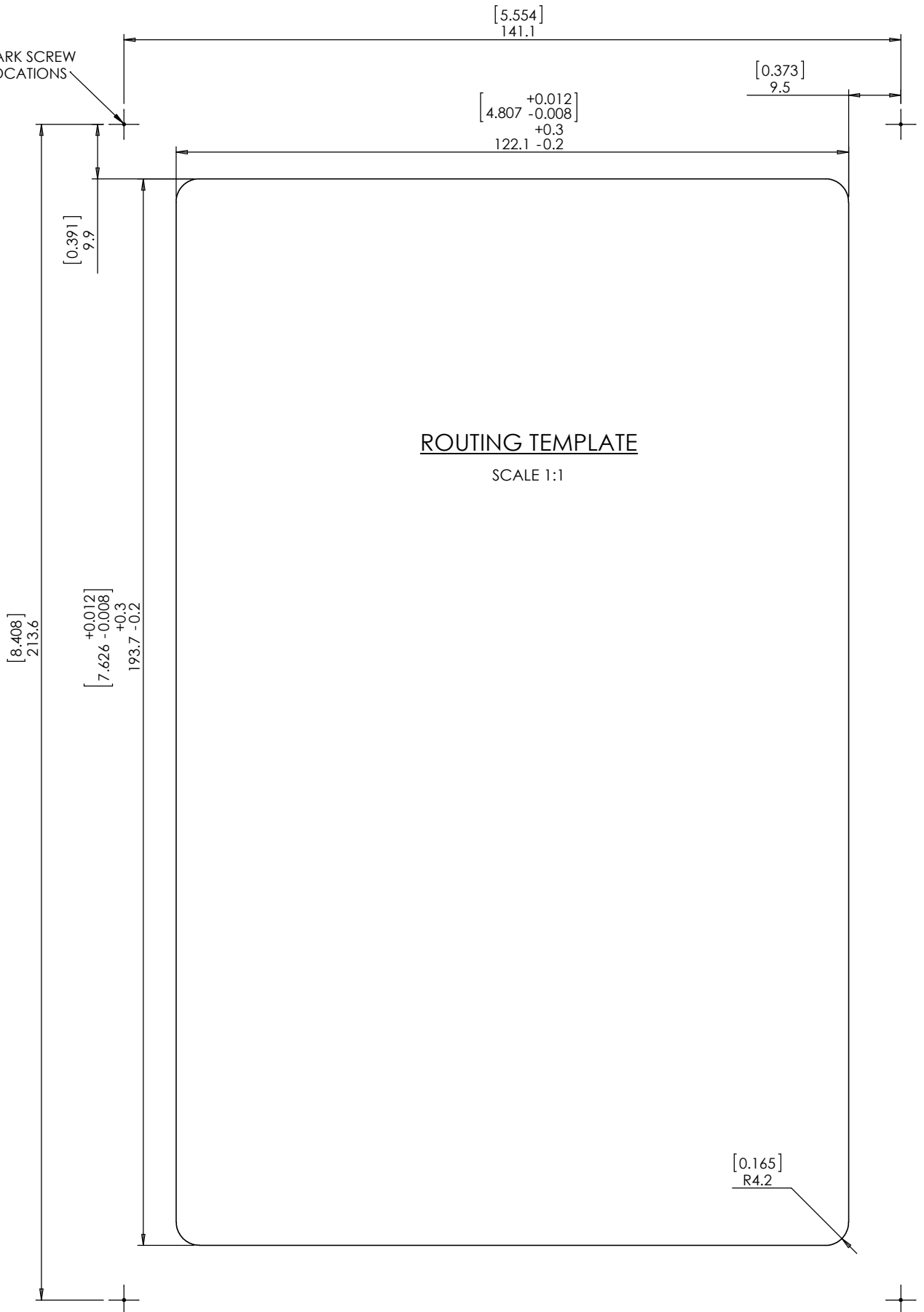
PRODUCT SPEC.

REVISION A

DATE 2/Mar./2017



MARK SCREW LOCATIONS



ROUTING TEMPLATE

SCALE 1:1

<http://www.wall-smart.com/uploads/2/4/1/6/24165207/10-04-733-template.dxf>