



Model: WS for PALLADIOM SQUARE 1COL METAL

Model No.: 10-01-503

Family: WALL-SMART

DWG NO. 10-04-503-SPC

PRODUCT SPEC.

REVISION A

DATE 05/Mar./2017



Make Your Wall Smart

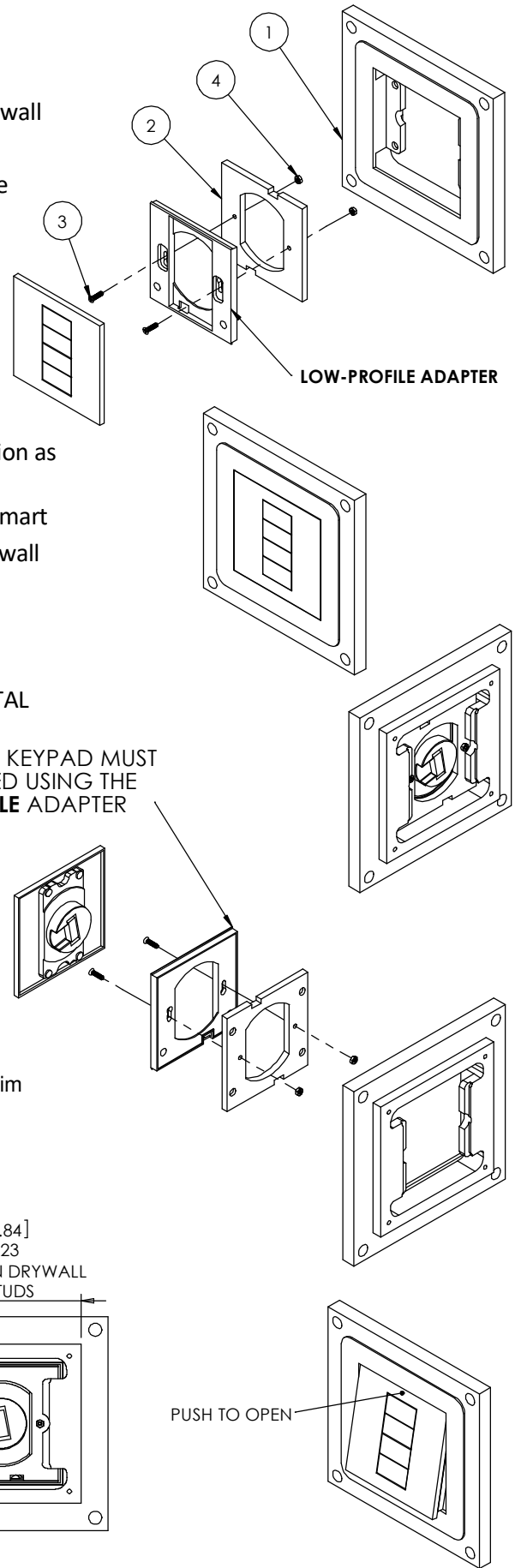
“WS for PALLADIOM SQUARE 1COL METAL” - Product description:

The “WS for PALLADIOM SQUARE 1COL METAL” is an adapter for in-wall flush installation of PALLADIOM SQUARE 1COLUMN METAL keypad. The “WS for PALLADIOM SQUARE 1COL METAL” securely mounts the keypad while allowing easy access, insertion and operation.

Key features and benefits:

- Flush with the wall.
- Paintable with the wall paint in any color and texture.
- Allows easy insertion and removal of the keypad.
- The adapter is supplied unpainted (To be painted after installation as part of the wall).
- Designed to be installed in 1/2" drywall. Installation of the Wall-Smart adapter is straight-forward. Installation process is similar to drywall construction procedures. Before installation, read Wall-Smart installation instruction 10-04-00101-INS in <http://www.wall-smart.com/faq>
- Designed for the use with PALLADIOM SQUARE 1 COLUMN METAL keypad (by Lutron) (keypad is not included).
- Adapter kit contains:
 1. Wall adapter (X1)
 2. Keypad adapter (X1)
 3. CS M3x12 screws (X2)
 4. M3 nuts (X2)

ATTENTION: KEYPAD MUST BE INSTALLED USING THE **LOW-PROFILE ADAPTER**



Key properties:

- Dimensions (W/H/D): 165mm (6.5")/ 165mm (6.5")/ 22mm (0.87")
- Power Supply: None (manual adapter).
- Weight: 0.25Kg, 0.55lbs.
- Material: Moisture resistant MDF
- To be installed in 1/2" drywall (for installation in 5/8" drywall use 1/8" shim pack P/N 10-01-067 (sold separately)).

