



Model: WS for GRAFIK T 1GANG MATTE

Model No.: 10-01-360

Family: WALL-SMART

DWG NO. 10-04-360-SPC

PRODUCT SPEC.

REVISION A

DATE 05/AUG./2015



Make Your Wall Smart

“WS for GRAFIK T 1GANG MATTE” - Product description:

The “WS for GRAFIK T 1GANG MATTE” is an adapter for in-wall flush installation of GRAFIK T 1GANG MATTE keypad.

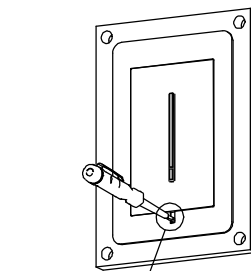
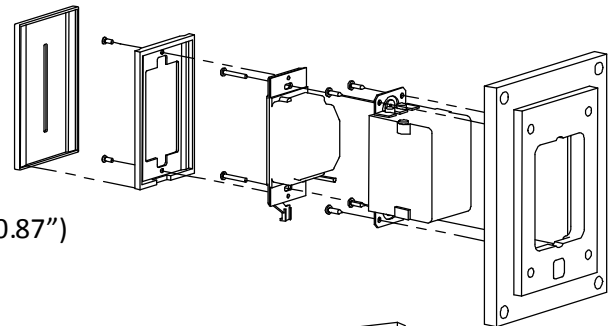
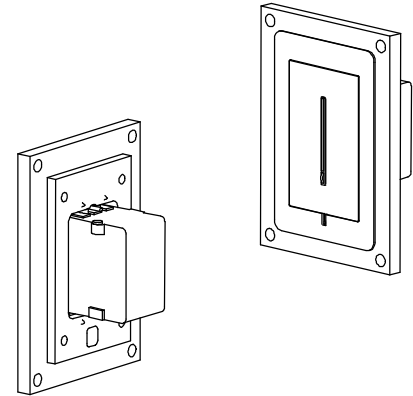
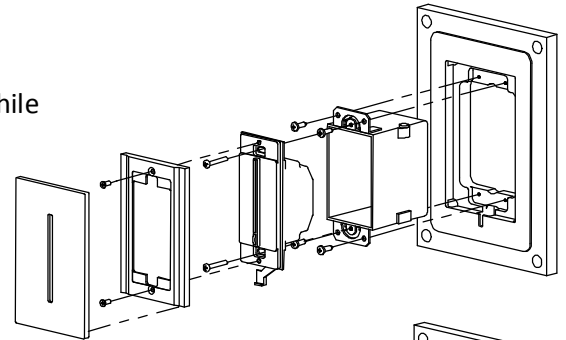
The “WS for GRAFIK T 1GANG MATTE” securely mounts the keypad while allowing easy access, insertion and operation.

Key features and benefits:

- Flush with the wall.
- Paintable with the wall paint in any color and texture.
- Allows easy insertion and removal of the keypad.
- The adapter is supplied unpainted (To be painted after installation as part of the wall).
- Designed to be installed in ½” drywall. Installation of the Wall-Smart adapter is straight-forward. Installation process is similar to drywall construction procedures. Before installation, read Wall-Smart installation instruction 10-04-00101-INS in <http://www.wall-smart.com/faq>
- Designed for the use with GRAFIK T 1GANG MATTE keypad (by Lutron) (keypad, faceplate and back box are not included).
- Adapter kit contains:
 1. Wall adapter;
 2. (X4) ST2.9x13 screws ;

Key properties:

- Dimensions (W/H/D): 139.7mm (5.5")/ 195.6mm (7.7")/ 22mm (0.87")
- Power Supply: None (manual adapter).
- Weight: 0.25Kg, 0.55lbs.
- Material: Moisture resistant MDF
- To be installed in ½” drywall (for installation in 5/8” drywall use 1/8” shim pack P/N 10-01-067 (sold separately)).



IMPORTANT NOTICE:
 FASS™ - Front Accessible Service Switch
 To replace bulb(s), remove power by pulling the FASS™ down fully on all main controlling devices. After replacing bulb(s), push the FASS™ back up fully to restore power to the control(s).

TO OPEN USE TESTING SCREWDRIVER

