



Model: WS NC For Basalte Socket 3 Gang satin white

Family: WALL-SMART

DWG NO. 10-04-282-SPC



Model No.: 10-01-282

PRODUCT SPEC.

REVISION A

DATE 27/Mar./2018

**Make Your Wall Smart**

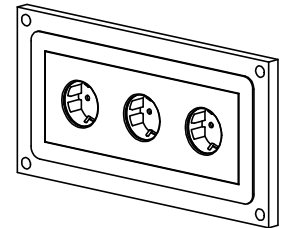
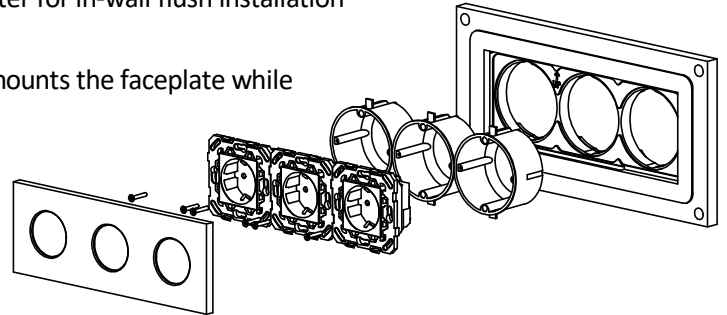
**WS NC For Basalte Socket 3 Gang satin white - Product description:**

The “WS NC For Basalte Socket 3 Gang satin white” is an adapter for in-wall flush installation of a Basalte 3 gang satin white faceplate.

The “WS NC For Basalte Socket 3 Gang satin white” securely mounts the faceplate while allowing easy access, insertion and removal.

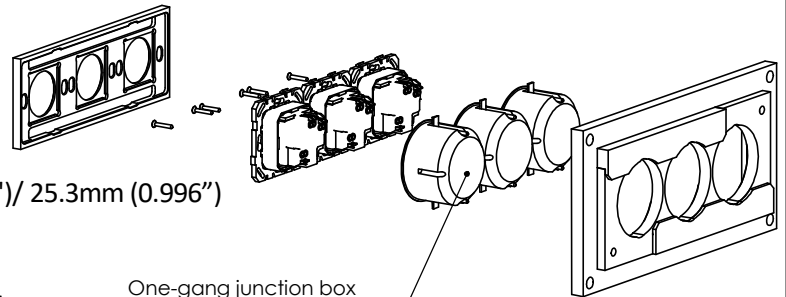
**Key features and benefits:**

- Flush with the wall.
- Paintable with the wall paint in any color and texture.
- Allows easy insertion and removal.
- The adapter is supplied unpainted (To be painted after installation as part of the wall).
- Designed to be installed in ½” drywall. Installation of the Wall-Smart adapter is straight-forward. Installation process is similar to drywall construction procedures. Before installation, read Wall-Smart installation instruction 10-04-00101-INS in <http://www.wall-smart.com/faq>
- For installation in concrete/block wall use “WS CONCRETE ADAPTOR 149x291” P/N 10-01-372 (sold separately) according installation instruction 10-04-00103-INS in <http://www.wall-smart.com/faq>
- Designed for Basalte 3gang satin white faceplate (faceplate, socket and back box are not included).
- Adapter kit contains X1 Wall adapter

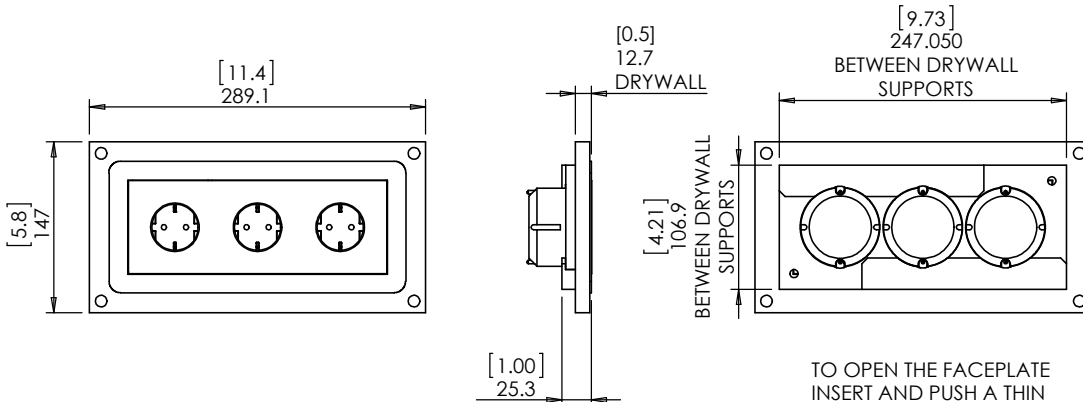
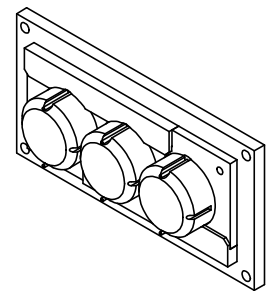


**Key properties:**

- Dimensions (W/H/D): 289.1mm (11.4”)/ 147mm (5.8”)/ 25.3mm (0.996”)
- Power Supply: None (manual adapter).
- Weight: 0.4Kg, 0.88lbs.
- Material: Chemically treated, Moisture resistant MDF



One-gang junction box for hole Ø68mm  
Dimensions to DIN 49073-1  
(Not included)



TO OPEN THE FACEPLATE INSERT AND PUSH A THIN PLASTIC CARD INTO THE HORIZONTAL GAP ON THE TOP RIGHT OR ON THE BOTTOM LEFT CORNERS

