



Model: WS for Lithoss 1gang

Family: WALL-SMART

DWG NO. 10-04-202-SPC

Model No.: 10-01-202

PRODUCT SPEC.

REVISION A

DATE 15/July/2014



Make Your Wall Smart

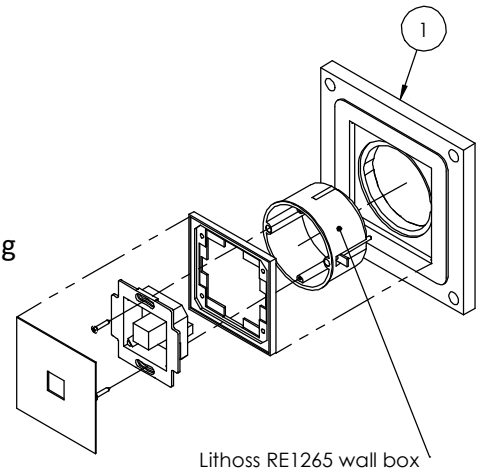
WS for Lithoss 1gang - Product description:

The "WS for Lithoss 1gang" is an adapter for in-wall flush installation of Lithoss 1gang equipment.

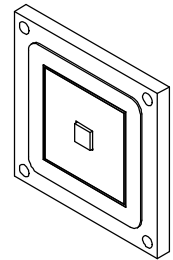
The "WS for Lithoss 1gang" securely mounts the equipment while allowing easy access, insertion and removal.

Key features and benefits:

- Flush with the wall.
- Paintable with the wall paint in any color and texture.
- Allows easy insertion and exertion of the keypad by manual push and magnet detachment of the keypad tray.
- The adapter is supplied unpainted (To be painted after installation as part of the wall).
- Designed to be installed in 1/2" drywall. Installation of the Wall-Smart adapter is straight-forward. Installation process is similar to drywall construction procedures. Before installation, read Wall-Smart installation instruction 10-04-00101-INS in <http://www.wall-smart.com/faq>
- For installation in concrete/block wall use "CONCRETE ADAPTOR for Lithoss 1G" P/N 10-01-208 (sold separately) according installation instruction 10-04-00103-INS in <http://www.wall-smart.com/faq>
- Designed for the use with Lithoss 1gang equipment (not included).
- Adapter kit contains: Wall adapter (item 1)

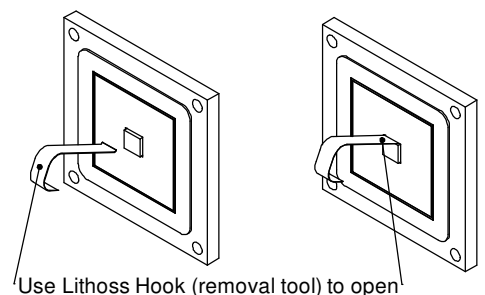
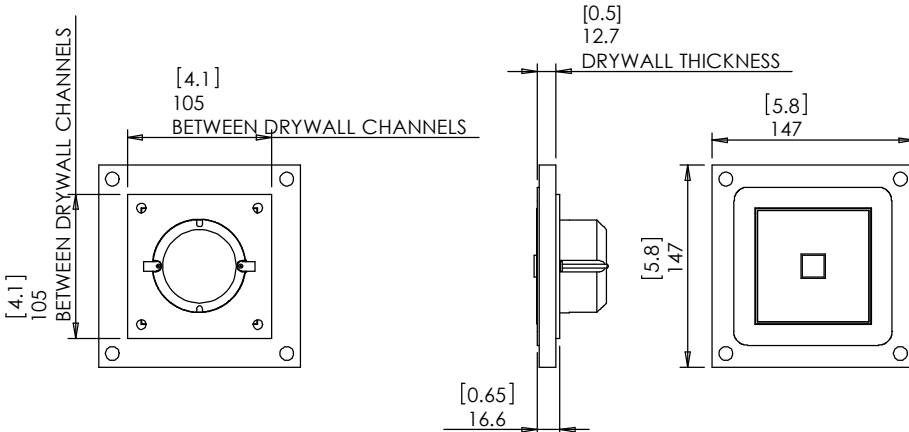
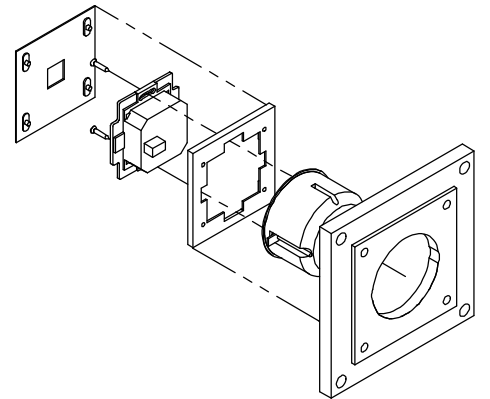


Lithoss RE1265 wall box



Key properties:

- Dimensions (W/H/D): 147mm (5.8")/ 147mm (5.8")/ 22mm (0.87")
- Power Supply: None (manual adapter).
- Weight: 0.39Kg, 0.86lbs.



Use Lithoss Hook (removal tool) to open