



Model: WS for Equinox 40 LCD Keypad 5/8"

Family: WALL-SMART

DWG NO. 10-04-151-SPC

Model No.: 10-01-151

PRODUCT SPEC.

REVISION B

DATE 5/May/2014



Make Your Wall Smart

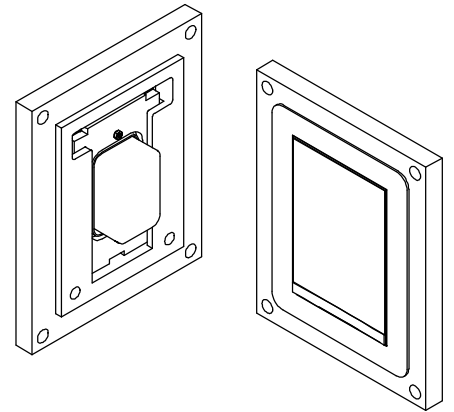
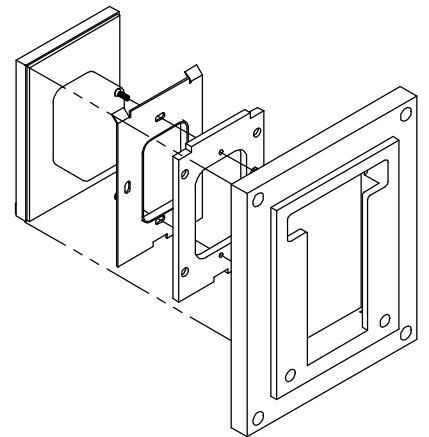
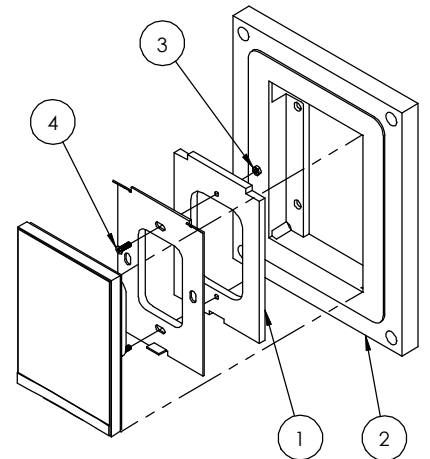
Wall-Smart for Vangate Equinox 40 LCD Keypad Product description:

The Wall-Smart for Vangate Equinox 40 LCD Keypad is an adapter for in-wall flush installation of an Equinox 40 LCD Keypad.

The Wall-Smart for Vangate Equinox 40 LCD Keypad securely mounts the keypad while allowing easy access, insertion and removal.

Key features and benefits:

- Design to be installed in 5/8" thick drywall.
- Flush with the wall.
- Paintable with the wall paint in any color and texture.
- Allows easy insertion and removal of the keypad by manual push and magnet detachment of the keypad tray.
- The adapter is supplied unpainted (To be painted after installation as part of the wall).
- Installation of the Wall-Smart adapter is straight-forward. Installation process is similar to drywall construction procedures.
- Designed for the use with Vangate Equinox 40 LCD Keypad (keypad not included).
- Adapter kit contains:
 - Wall adapter (item 2)
 - Keypad adapter (item 1)
 - (2x) M3 Screw (item 4)
 - (2x) M3 Nut (item 3)



Key properties:

- Dimensions (W/H/D): 158.3mm (6.2")/ 197.1mm (7.8")/ 22mm (0.86")
- Power Supply: None (manual adapter).
- Weight: 0.25Kg, 0.55lb.
- To be installed in 5/8" drywall.

