



Model: WALL-SMART FOR GS.08
BY CONTROL-TRONIC ©

Family: WALL-SMART

DWG NO. 10-04-054-SPC



Model No.: 10-01-054

PRODUCT SPEC.

REVISION A

DATE 04/30/2013

Make Your Wall Smart

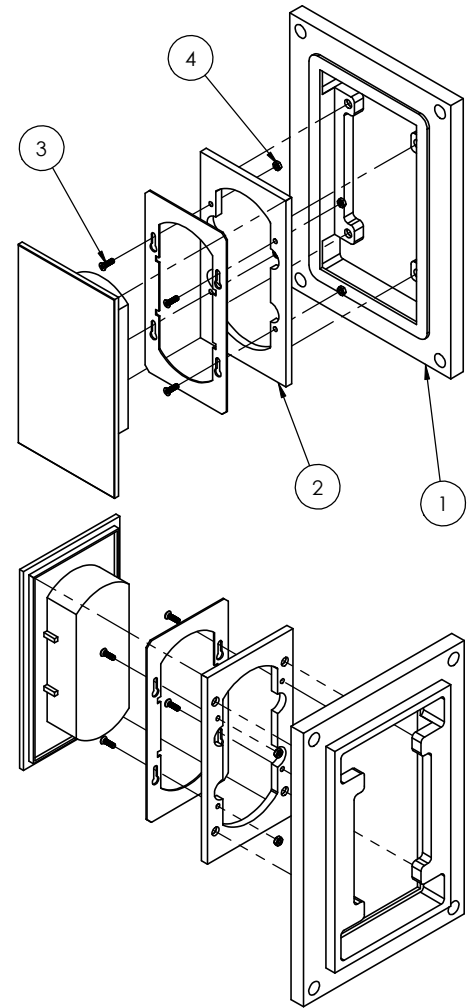
Wall-Smart for GS.08 - Product description:

The Wall-Smart for GS.08 is an adapter for in-wall flush installation of a GS.08 keypad.

The Wall-Smart for GS.08 keypad securely mounts the keypad while allowing easy access, insertion and exertion.

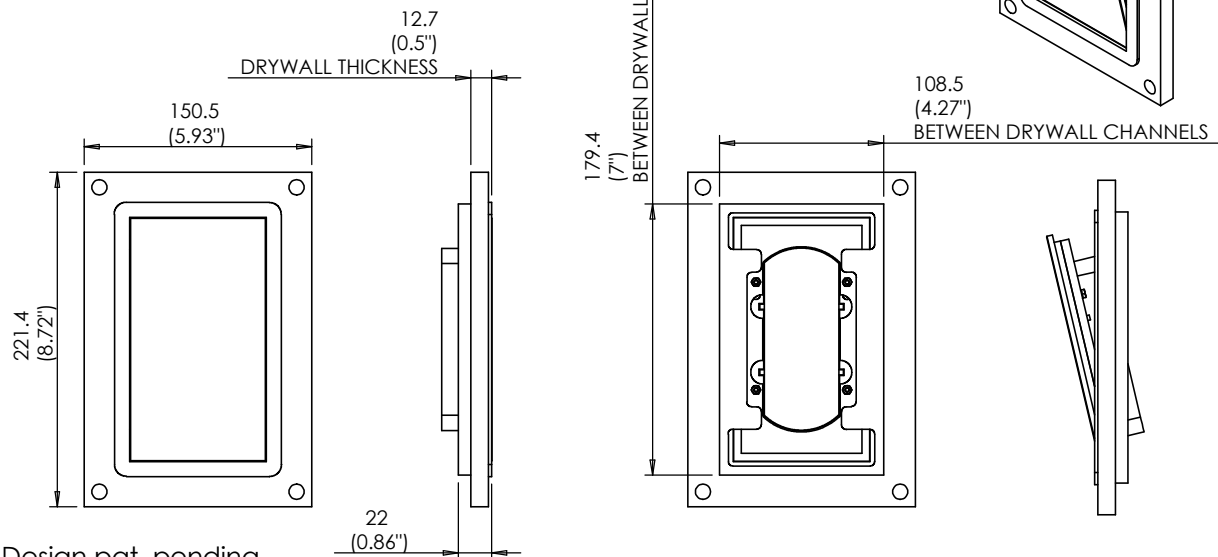
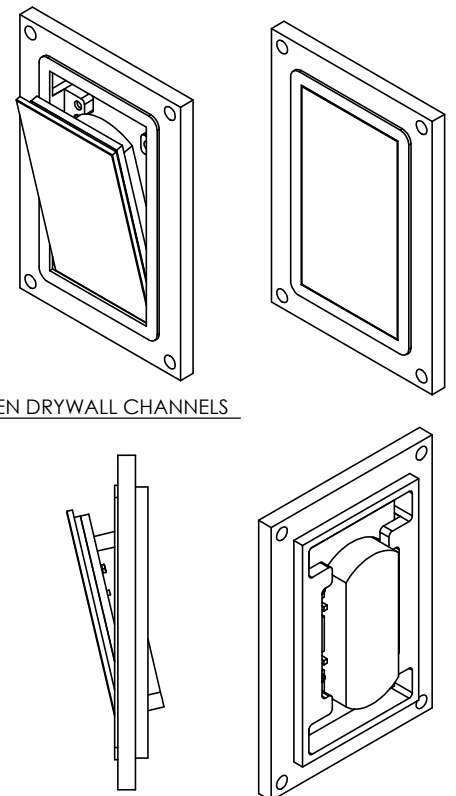
Key features and benefits:

- Flush with the wall.
- Paintable with the wall paint in any color and texture.
- Allows easy insertion and exertion of the keypad by manual push and magnet detachment of the keypad tray.
- The adapter is supplied unpainted (To be painted after installation as part of the wall).
- Installation of the Wall-Smart adapter is straight-forward. Installation process is similar to drywall construction procedures.
- Designed for the use with GS.08 keypad (by Control-Tronic ©) (keypad not included).
- Adapter kit contains:
 1. Wall adapter;
 2. Keypad adapter;
 3. (4x) M3 screw;
 4. (4x) M3 nut;



Key properties:

- Dimensions (W/H/D): 150.4mm (5.92")/ 221.4mm (8.72")/ 22mm (0.86")
- Power Supply: None (manual adapter).
- Weight: 0.29Kg, 0.64pounds.
- To be installed in 1/2" drywall.



Design pat. pending