



Model: WALL-SMART FOR SB-DLP-MUS by HDL ©

Family: WALL-SMART

DWG NO. 10-04-020-SPC

Model No.: 10-01-020

PRODUCT SPEC.

REVISION B

DATE 01/08/2012

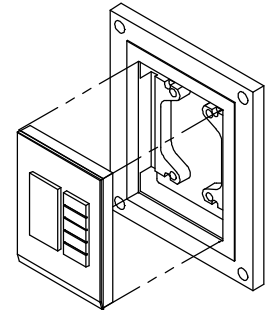


Make Your Wall Smart

Wall-Smart for SB-DLP-MUS KEYPAD - Product description:

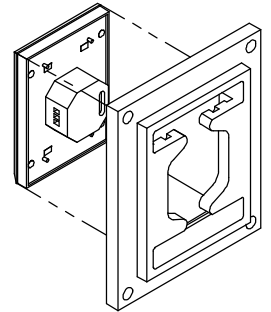
The Wall-Smart for SB-DLP-MUS is an adapter for in-wall flush installation of a SB-DLP-MUS keypad.

The Wall-Smart for SB-DLP-MUS securely mounts the keypad while allowing easy access, insertion and removal.



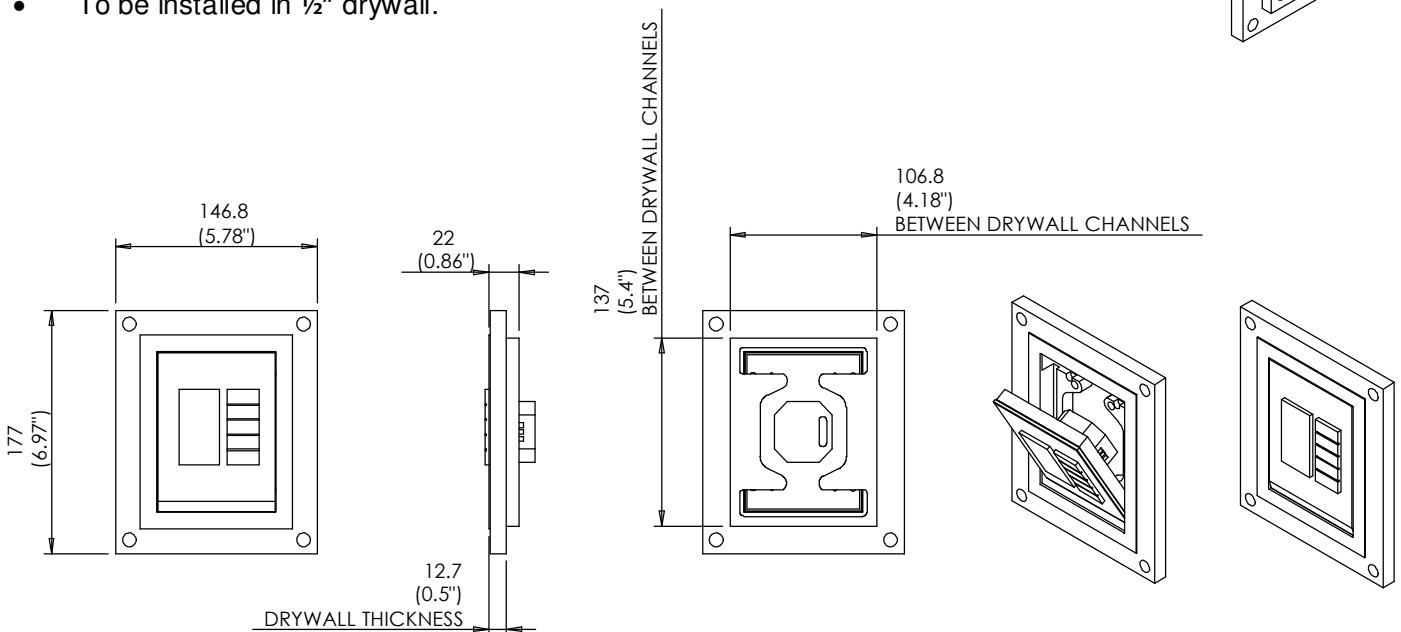
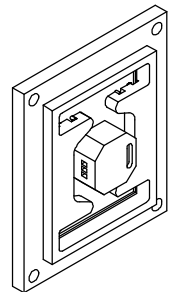
Key features and benefits:

- Flush with the wall.
- Paintable with the wall paint in any color and texture.
- Allows easy insertion and exertion of the keypad by manual push and magnet detachment of the keypad tray.
- The adapter is supplied unpainted (To be painted after installation as part of the wall).
- Installation of the Wall-Smart adapter is straight-forward. Installation process is similar to drywall construction procedures.
- Designed for the use with SB-DLP-MUS keypad (by HDL ©) (keypad not included).



Key properties:

- Dimensions (W/H/D): 146.8mm (5.78")/ 177mm (6.97")/ 22mm (0.86")
- Power Supply: None (manual adapter).
- Weight: 0.3Kg, 0.7pounds.
- To be installed in 1/2" drywall.



Design pat. pending

by Wall-Smart

www.wall-smart.com

UNLESS OTHERWISE SPECIFIED:
DIMENSIONS ARE IN MILLIMETERS

INFORMATION CONTAINED HEREIN IS PROPRIETARY AND MAY NOT BE USED,
REPRODUCED OR COPIED WITHOUT WRITTEN CONSENT OF WALL-SMART

676a Ninth Avenue, New York, NY 10036, USA / Phone: (212) 659-0155 / Fax: (212) 656-0156 / info@wall-smart.com

SHEET 1/1