



Model: WALL-SMART FOR SB-WS6-US
by HDL ©

Family: WALL-SMART

DWG NO. 10-04-018-SPC



Model No.: 10-01-018

PRODUCT SPEC.

REVISION B

DATE 8/1/2012

Make Your Wall Smart

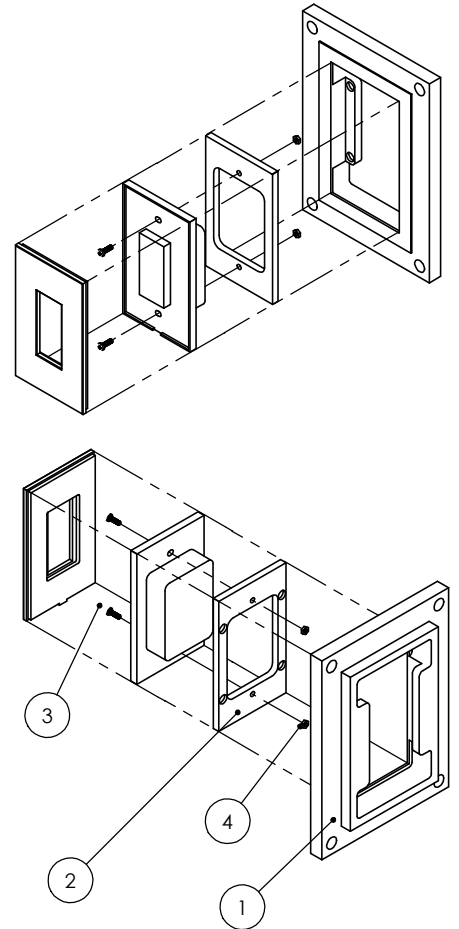
Wall-Smart for SB-WS6-US KEYPAD - Product description:

The Wall-Smart for SB-WS6-US is an adapter for in-wall flush installation of a SB-WS6-US keypad.

The Wall-Smart for SB-WS6-US keypad securely mounts the keypad while allowing easy access, insertion and exertion.

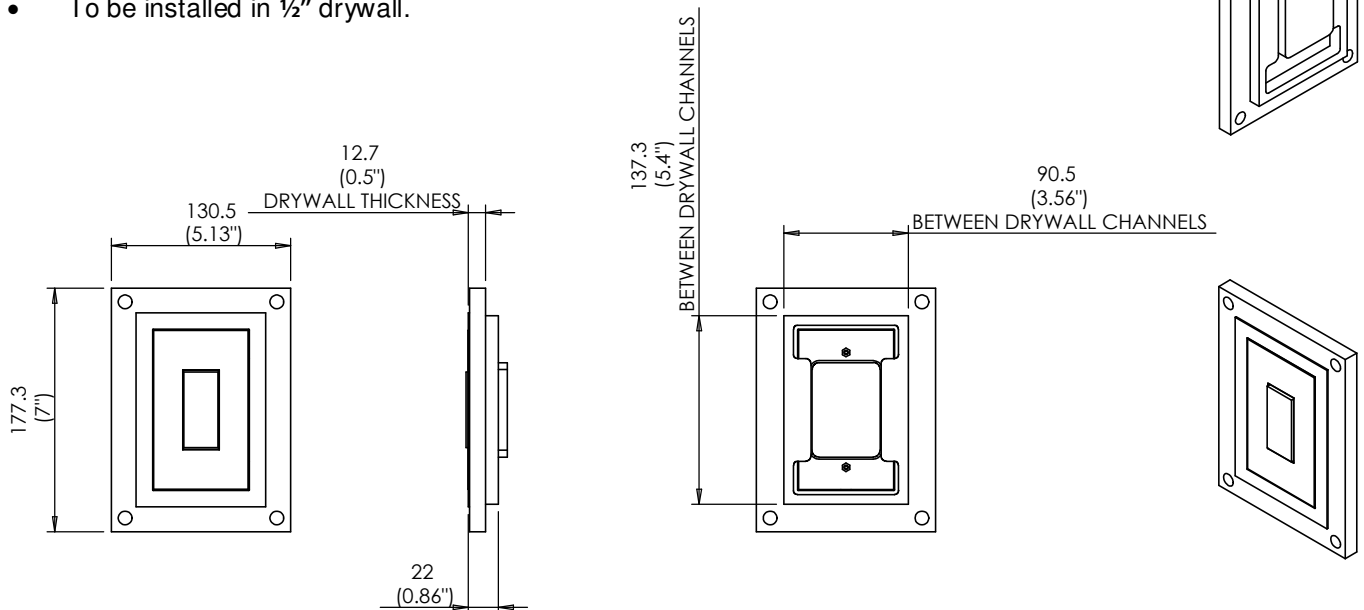
Key features and benefits:

- Flush with the wall.
- Paintable with the wall paint in any color and texture.
- Allows easy insertion and exertion of the keypad by manual push and magnet detachment of the keypad tray.
- The adapter is supplied unpainted (To be painted after installation as part of the wall).
- Installation of the Wall-Smart adapter is straight-forward. Installation process is similar to drywall construction procedures.
- Designed for the use with SB-WS6-US keypad (by HDL ©) (keypad not included).
- Adapter kit contains:
 1. Wall adapter;
 2. Keypad adapter;
 3. (2x) M3 screw;
 4. (2x) M3 nut;



Key properties:

- Dimensions (W/H/D): 130.5mm (5.13")/ 177.3mm (7")/ 22mm (0.86")
- Power Supply: None (manual adapter).
- Weight: 0.3Kg, 0.7pounds.
- To be installed in 1/2" drywall.



Design pat. pending

by Wall-Smart

www.wall-smart.com

UNLESS OTHERWISE SPECIFIED:
DIMENSIONS ARE IN MILLIMETERS

676a Ninth Avenue, New York, NY 10036, USA / Phone: (212) 659-0155 / Fax: (212) 656-0156 / info@wall-smart.com

INFORMATION CONTAINED HEREIN IS PROPRIETARY AND MAY NOT BE USED,
REPRODUCED OR COPIED WITHOUT WRITTEN CONSENT OF WALL-SMART ©

SHEET 1/1